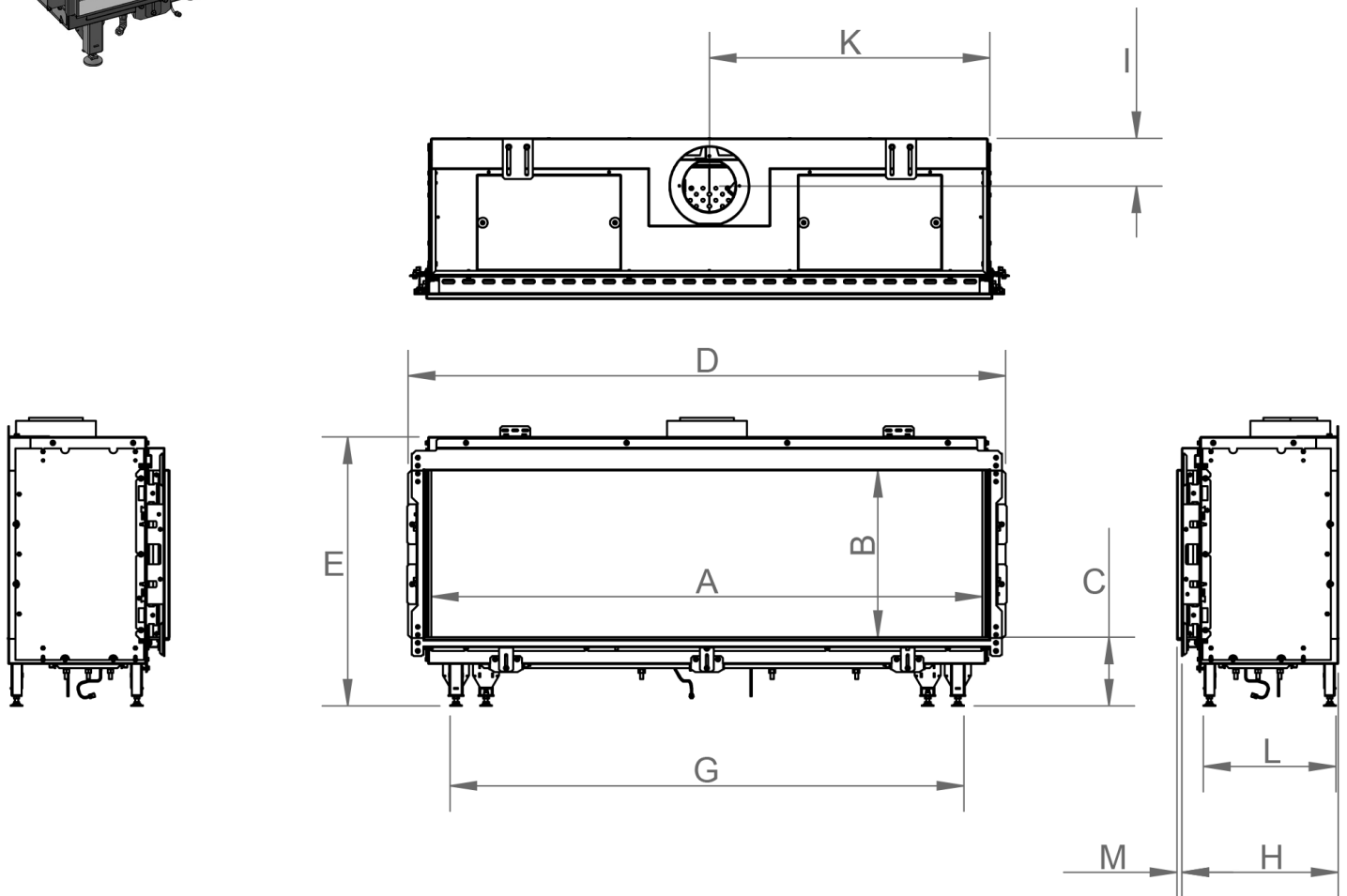
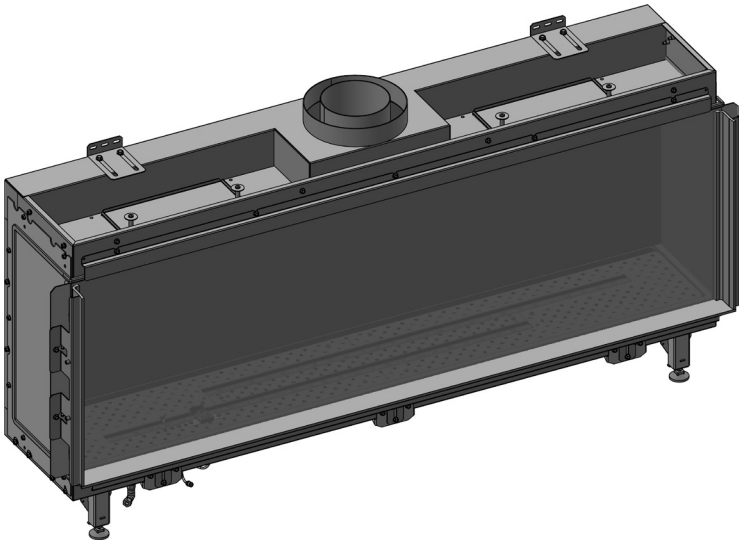


manufactured by  
**Element4 B.V.**

# Summum 140 F Cut Sheet

distributed by  
**EuropeanHome**

12/2019



LETTERS	A	B	C	D	E	G	H	I	K	L	M
INCHES	54"	16 <sup>7</sup> / <sub>16</sub> "	6 <sup>3</sup> / <sub>4</sub> "	58 <sup>9</sup> / <sub>16</sub> "	26 <sup>9</sup> / <sub>16</sub> "	50 <sup>3</sup> / <sub>8</sub> "	15 <sup>5</sup> / <sub>16</sub> "	4 <sup>11</sup> / <sub>16</sub> "	27 <sup>1</sup> / <sub>2</sub> "	13"	1 <sup>1</sup> / <sub>2</sub> "
[MILLIMETERS]	[1372]	[418]	[172]	[1488]	[674]	[1280]	[389]	[119]	[699]	[330]	[13]

This information is for reference only. Please consult the Installation Manual for all details prior to making any design decisions.  
Conversions from millimeters are rounded to the nearest fraction. A DWG file is available at [www.europeanhome.com](http://www.europeanhome.com)