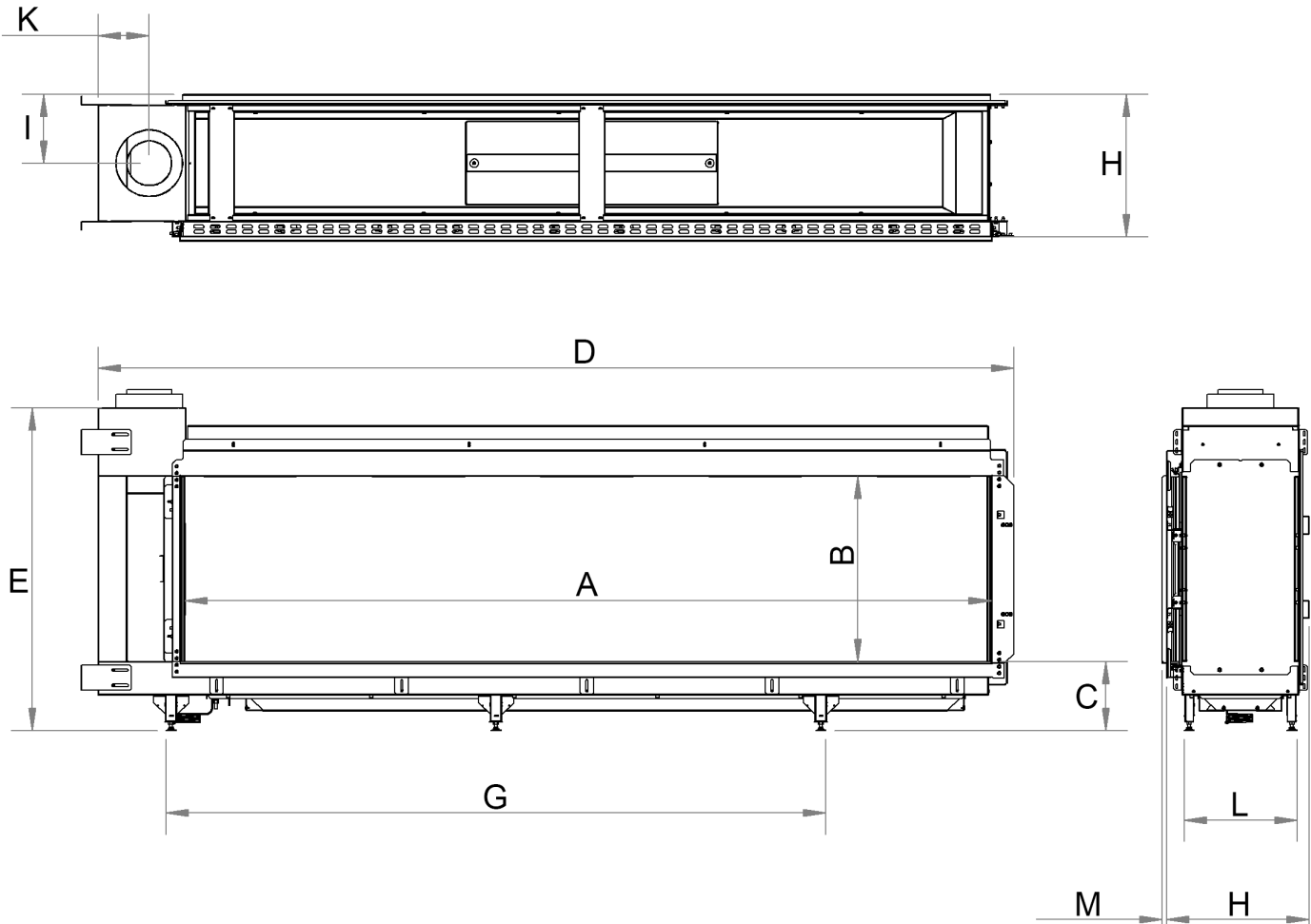
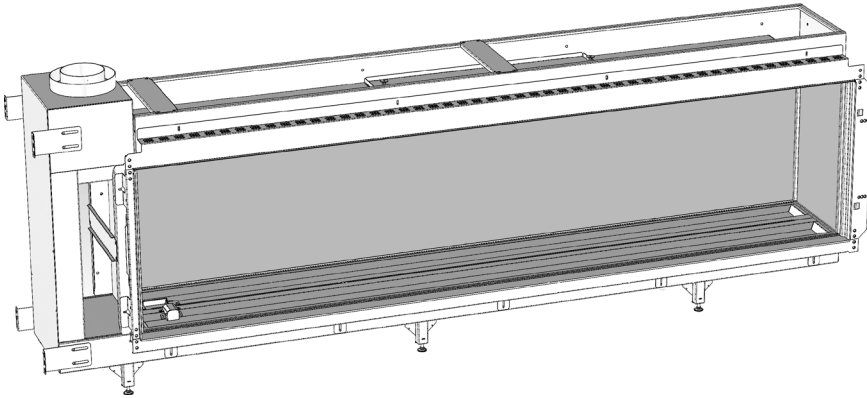


manufactured by  
**Element4 B.V.**

# Club 240H F Cut Sheet

distributed by  
**EuropeanHome**

06/2021



LETTER	A	B	C	D	E	G	H	I	K	L	M
INCHES	94 ¼	21 ⅝	8 ⅙	107 ⅛	37 ¾	77 ⅜	16 ⅝	8	6	13 ⅜	½
[MILLIMETERS]	[2395]	[550]	[205]	[2721]	[959]	[1960]	[423]	[204]	[152]	[336]	[13]

This information is for reference only. Please consult the Installation Manual for all details prior to making any design decisions.  
Conversions from millimeters are rounded to the nearest fraction. A DWG file is available at [www.europeanhome.com](http://www.europeanhome.com)