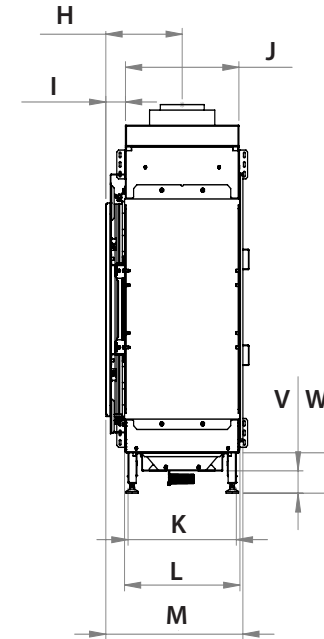
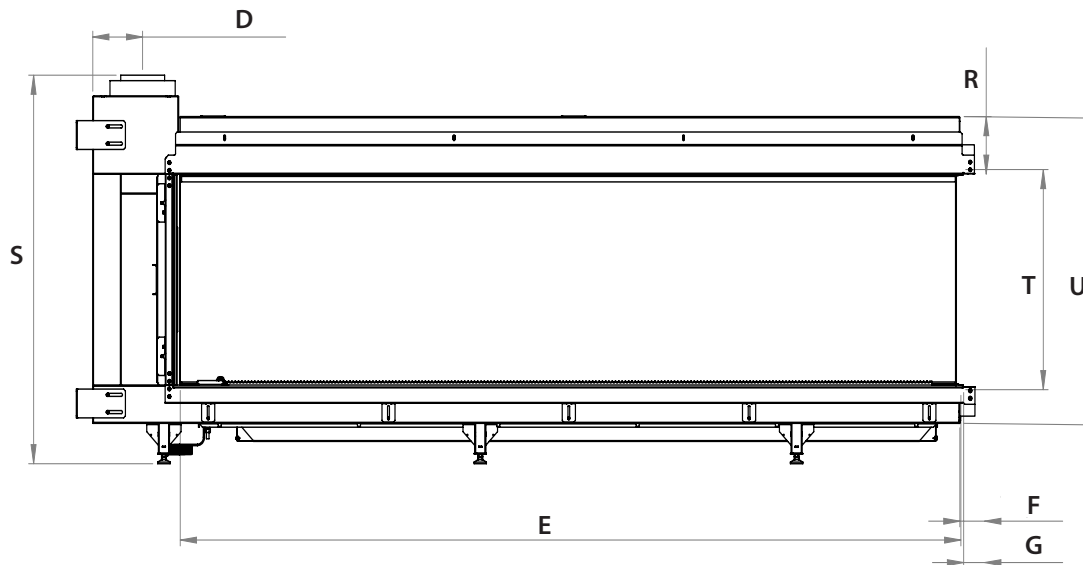
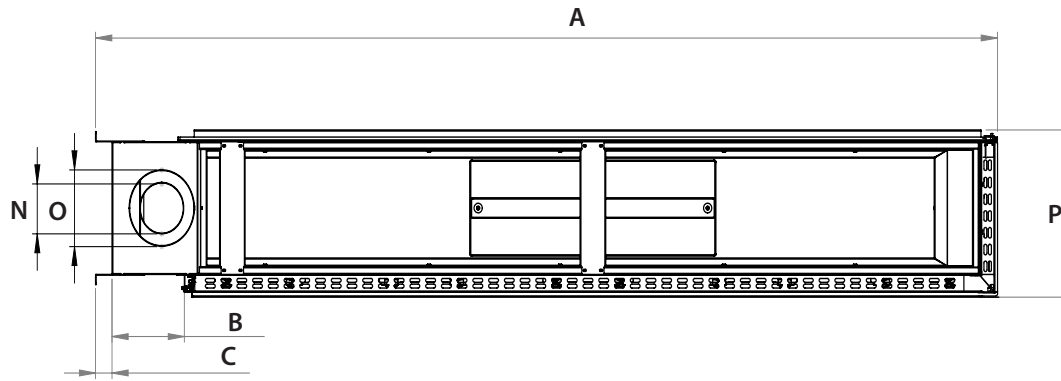


manufactured by  
**Element4 B.V.**

# Club 240H RC & LC Planning Dimensions

12/2019

distributed by  
**EuropeanHome**



CLUB 240H RC shown  
(Club 240H LC is a mirror image)

| Letter      | A                                | B                              | C  | D   | E                              | F  | G                             | H                             | I                             | J                              | K   | L                              | M                              | N                             | O                             | P                               | R                              | S                              | T                              | U                              | V                              | W                              |
|-------------|----------------------------------|--------------------------------|----|-----|--------------------------------|----|-------------------------------|-------------------------------|-------------------------------|--------------------------------|-----|--------------------------------|--------------------------------|-------------------------------|-------------------------------|---------------------------------|--------------------------------|--------------------------------|--------------------------------|--------------------------------|--------------------------------|--------------------------------|
| Inches      | 108 <sup>5</sup> / <sub>16</sub> | 8 <sup>1</sup> / <sub>16</sub> | 2  | 6   | 93 <sup>3</sup> / <sub>4</sub> | 3  | 2 <sup>1</sup> / <sub>2</sub> | 9 <sup>7</sup> / <sub>8</sub> | 2 <sup>3</sup> / <sub>8</sub> | 13 <sup>3</sup> / <sub>8</sub> | 13  | 13 <sup>3</sup> / <sub>8</sub> | 16 <sup>1</sup> / <sub>2</sub> | 5 <sup>1</sup> / <sub>8</sub> | 7 <sup>7</sup> / <sub>8</sub> | 17 <sup>3</sup> / <sub>16</sub> | 5 <sup>1</sup> / <sub>16</sub> | 39 <sup>7</sup> / <sub>8</sub> | 22 <sup>5</sup> / <sub>8</sub> | 31 <sup>1</sup> / <sub>2</sub> | 2 <sup>5</sup> / <sub>16</sub> | 4 <sup>3</sup> / <sub>16</sub> |
| Millimeters | 2751                             | 221                            | 50 | 152 | 2381                           | 75 | 64                            | 233                           | 60                            | 346                            | 330 | 352                            | 418                            | 130                           | 200                           | 436                             | 150                            | 1013                           | 574                            | 800                            | 58                             | 105                            |

| UNIT WEIGHT |           |
|-------------|-----------|
| Pounds      | Kilograms |
| 551         | 250       |

This information is for reference only. Please consult the Installation Manual for all details prior to making any design decisions.  
Conversions from millimeters are rounded to the nearest fraction. A DWG file is available at [www.europeanhome.com](http://www.europeanhome.com)