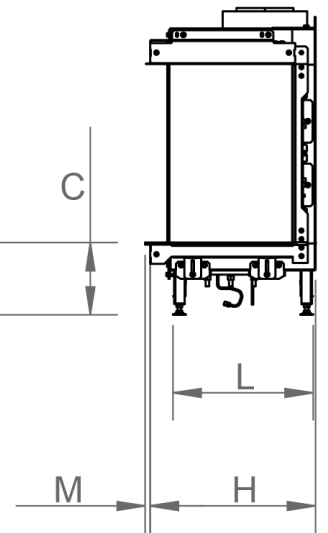
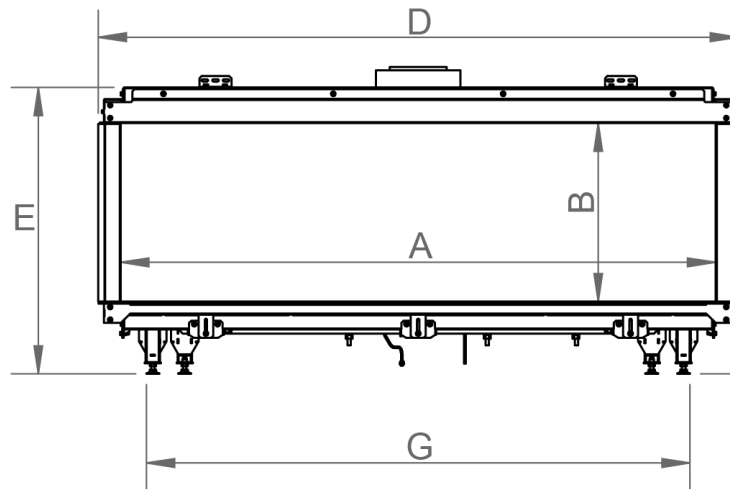
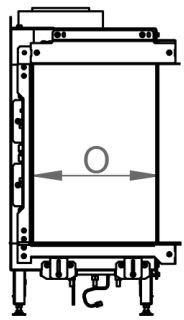
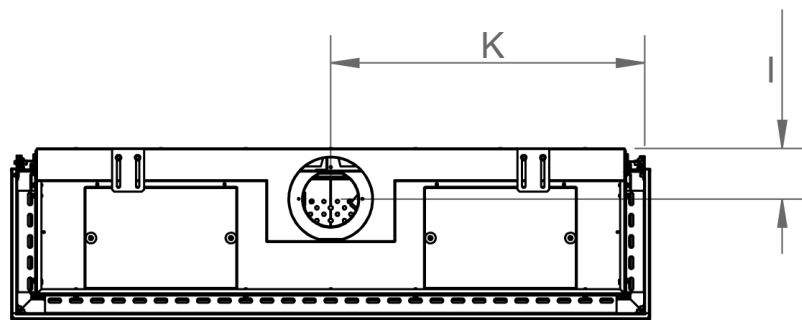
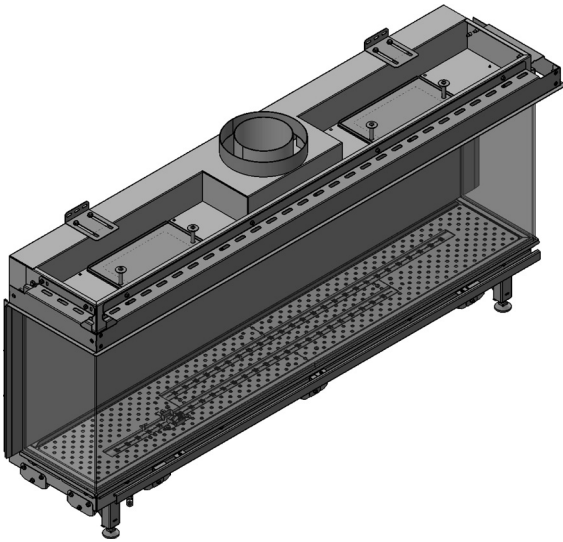


manufactured by
Element4 B.V.

Club 140 3S Cut Sheet

distributed by
EuropeanHome

10/2019



LETTERS	A	B	C	D	E	G	H	I	K	L	M	O
INCHES [MILLIMETERS]	$54 \frac{7}{16}$ " [1383]	$16 \frac{9}{16}$ " [420]	$6 \frac{11}{16}$ " [170]	$58 \frac{15}{16}$ " [1497]	$26 \frac{9}{16}$ " [674]	$50 \frac{3}{8}$ " [1280]	$15 \frac{5}{16}$ " [389]	$4 \frac{11}{16}$ " [119]	$29 \frac{1}{8}$ " [740]	13" [330]	$\frac{1}{2}$ " [13]	$11 \frac{5}{8}$ " [295]

This information is for reference only. Please consult the Installation Manual for all details prior to making any design decisions.
Conversions from millimeters are rounded to the nearest fraction. A DWG file is available at www.europeanhome.com