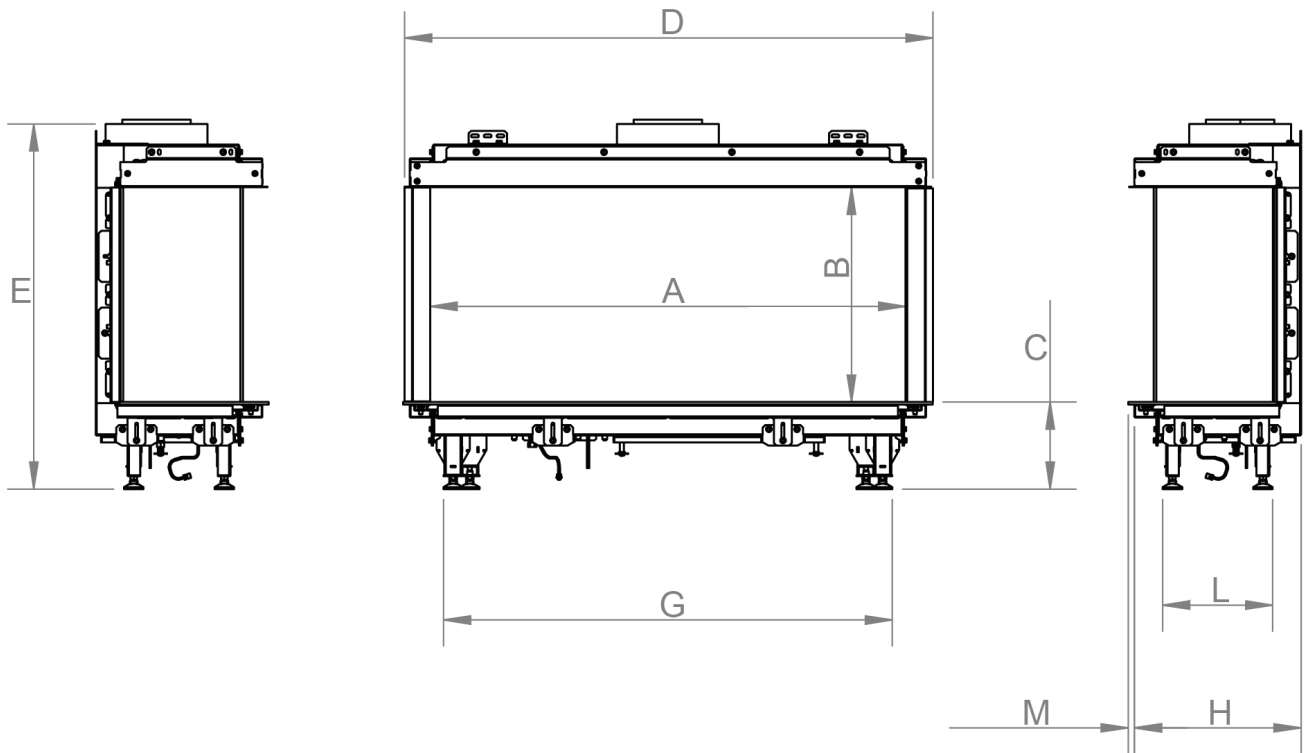
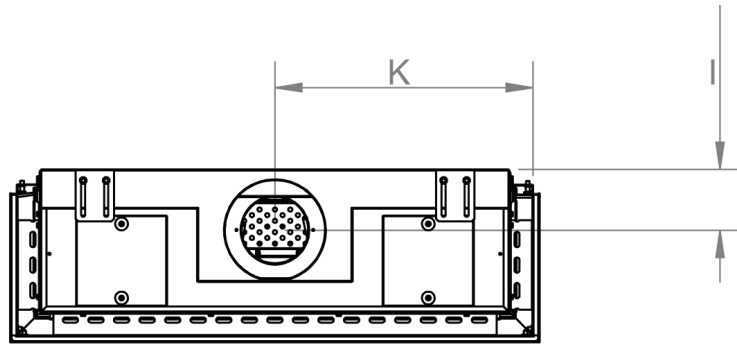
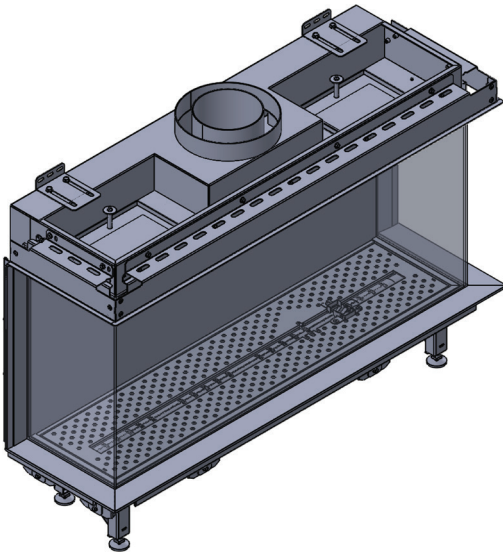


manufactured by  
**Element4 B.V.**

# Trisore 95 Cut Sheet

distributed by  
**EuropeanHome**

08/2017



LETTERS	A	B	C	D	E	G	H	I	K	L	M
INCHES	$36\frac{5}{8}$ "	$16\frac{9}{16}$ "	$6\frac{11}{16}$ "	$40\frac{11}{16}$ "	$28\frac{1}{8}$ "	$34\frac{9}{16}$ "	$12\frac{13}{16}$ "	$4\frac{11}{16}$ "	$19\frac{7}{8}$ "	$8\frac{7}{16}$ "	$\frac{1}{2}$ "
[MILLIMETERS]	[930]	[420]	[170]	[1034]	[714]	[878]	[326]	[119]	[505]	[215]	[12]

This information is for reference only. Please consult the Installation Manual for all details prior to making any design decisions.  
Conversions from millimeters are rounded to the nearest fraction. A DWG file is available at [www.europeanhome.com](http://www.europeanhome.com)