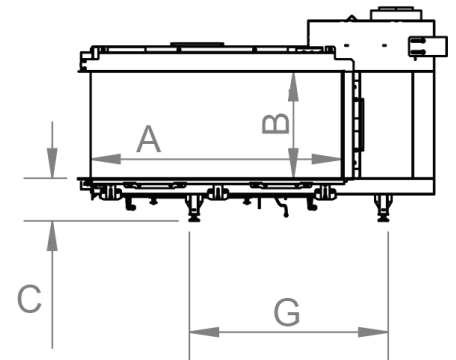
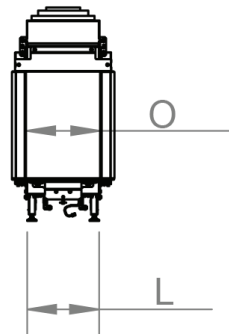
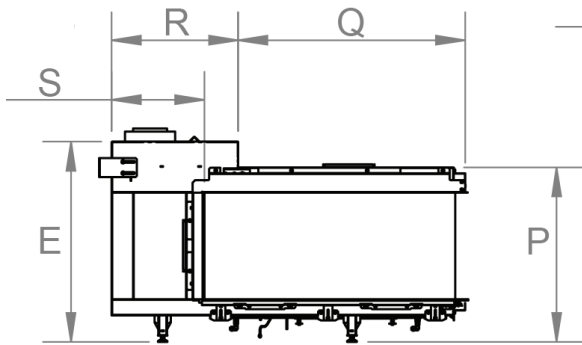
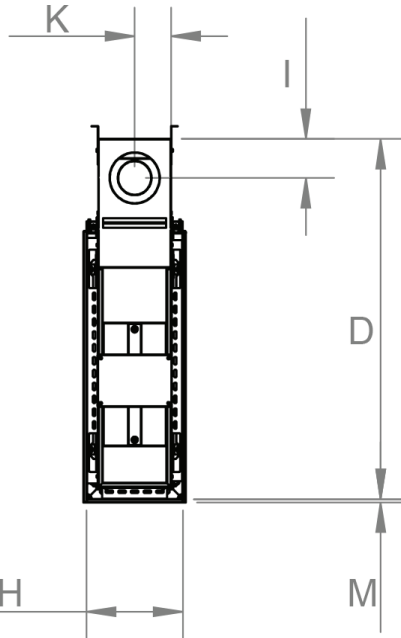
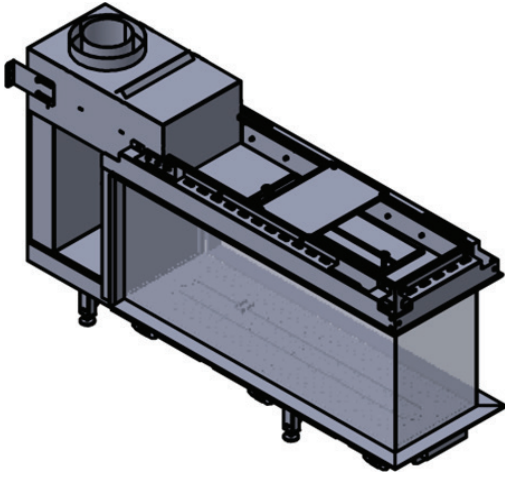


manufactured by  
**Element4 B.V.**

# Lucius 100 Cut Sheet

distributed by  
**EuropeanHome**

8/2017



LETTER	A	B	C	D	E	G	H	I
INCHES	$39\frac{3}{16}$ "	$16\frac{5}{8}$ "	$6\frac{11}{16}$ "	$55\frac{3}{16}$ "	$31\frac{1}{4}$ "	31"	15"	6"
[MILLIMETER]	[995]	[422]	[170]	[1401]	[794]	[788]	[382]	[152]

K	L	M	O	P	Q	R	S
$5\frac{11}{16}$ "	$11\frac{1}{4}$ "	$\frac{1}{2}$ "	$11\frac{9}{16}$ "	$27\frac{1}{4}$ "	$35\frac{7}{16}$ "	$19\frac{3}{4}$ "	$14\frac{7}{16}$ "
[144]	[286]	[13]	[294]	[692]	[900]	[501]	[368]

This information is for reference only. Please consult the Installation Manual for all details prior to making any design decisions.  
Conversions from millimeters are rounded to the nearest fraction. A DWG file is available at [www.europeanhome.com](http://www.europeanhome.com)