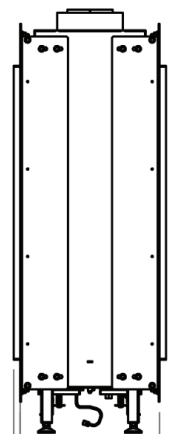
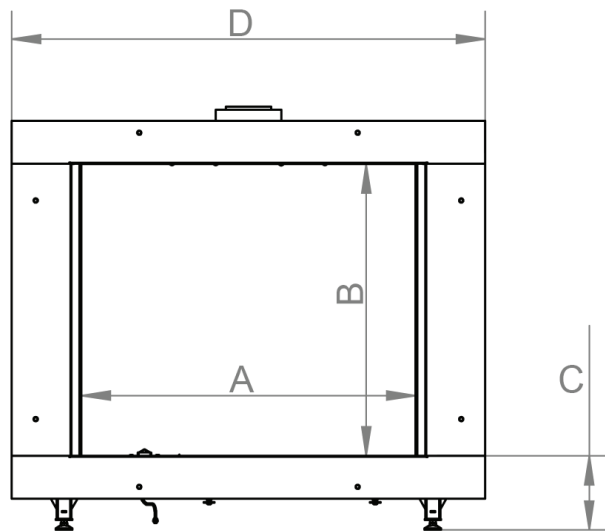
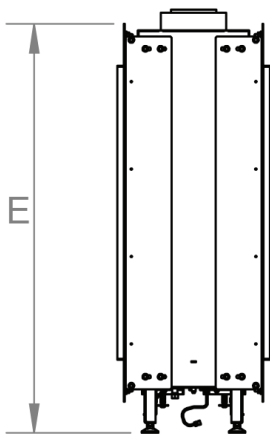
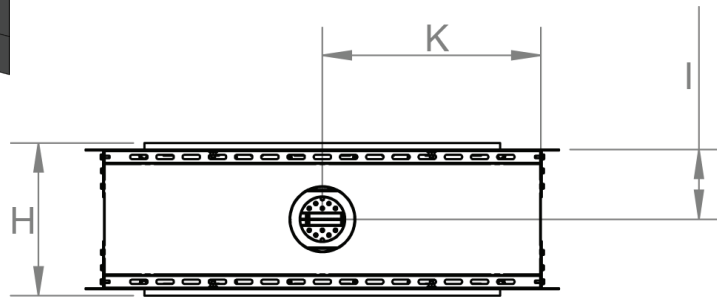
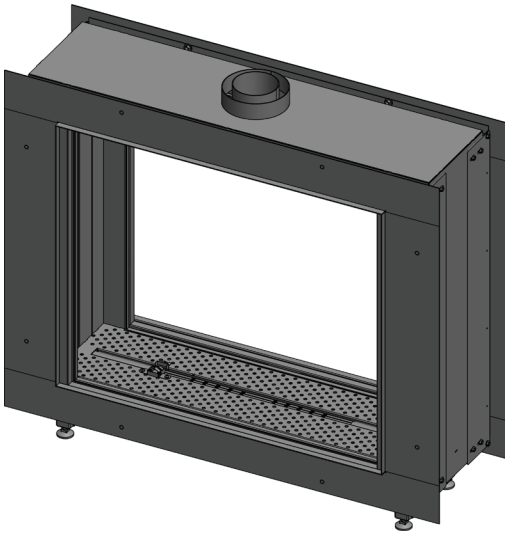


manufactured by
Element4 B.V.

Bioptica Cut Sheet

distributed by
EuropeanHome

08/2017



LETTER	A	B	C	D	E	G	H	I	K	L	M
INCHES	$30\frac{1}{8}$ "	$26\frac{1}{4}$ "	$6\frac{11}{16}$ "	$42\frac{11}{16}$ "	$36\frac{13}{16}$ "	$34\frac{3}{4}$ "	$12\frac{9}{16}$ "	$6\frac{1}{4}$ "	$19\frac{11}{16}$ "	$9\frac{5}{16}$ "	$\frac{9}{16}$ "
[MILLIMETERS]	[765]	[667]	[170]	[1084]	[936]	[882]	[319]	[159]	[500]	[237]	[15]

This information is for reference only. Please consult the Installation Manual for all details prior to making any design decisions.
Conversions from millimeters are rounded to the nearest fraction. A DWG file is available at www.europeanhome.com