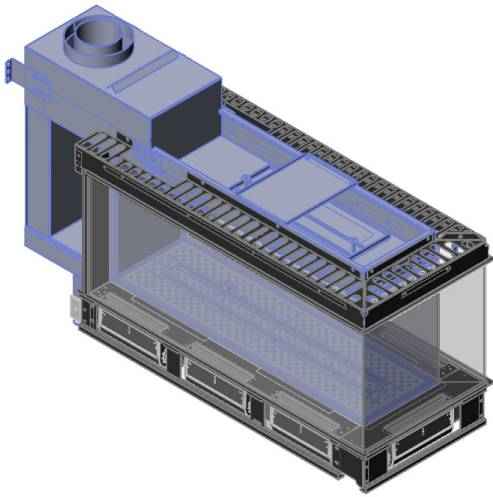


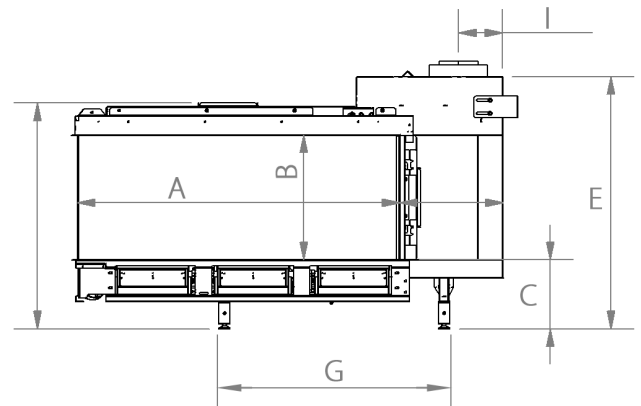
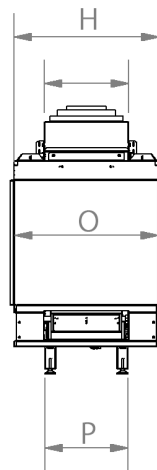
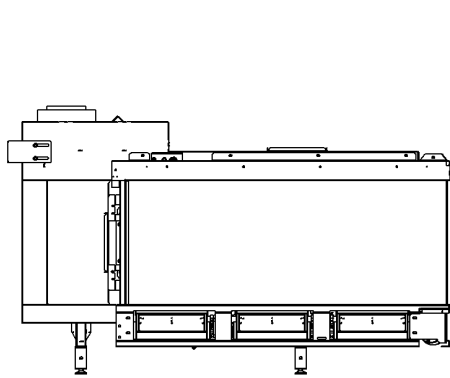
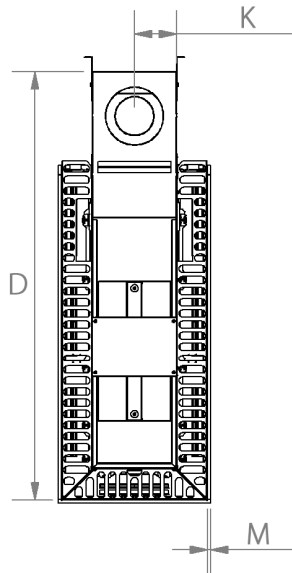
manufactured by  
**Element4 B.V.**

**Lucius 100 GSB Planning Dimensions**  
8/2017

distributed by  
**EuropeanHome**



Letter	Inches	Millimeters
A	43 <sup>5</sup> / <sub>16</sub>	1100
B	16 <sup>13</sup> / <sub>16</sub>	427
C	9 <sup>1</sup> / <sub>4</sub>	235
D	57 <sup>5</sup> / <sub>8</sub>	1464
E	33 <sup>7</sup> / <sub>8</sub>	860
G	32	813
H	19 <sup>9</sup> / <sub>16</sub>	497
I	5 <sup>7</sup> / <sub>8</sub>	225
K	5 <sup>11</sup> / <sub>16</sub>	144
M	<sup>1</sup> / <sub>2</sub>	13
O	19 <sup>3</sup> / <sub>8</sub>	492
P	11 <sup>1</sup> / <sub>4</sub>	286



This information is for reference only. Please consult the Installation Manual for all details prior to making any design decisions. Conversions from millimeters are rounded to the nearest fraction. A DWG file is available at [www.europeanhome.com](http://www.europeanhome.com)