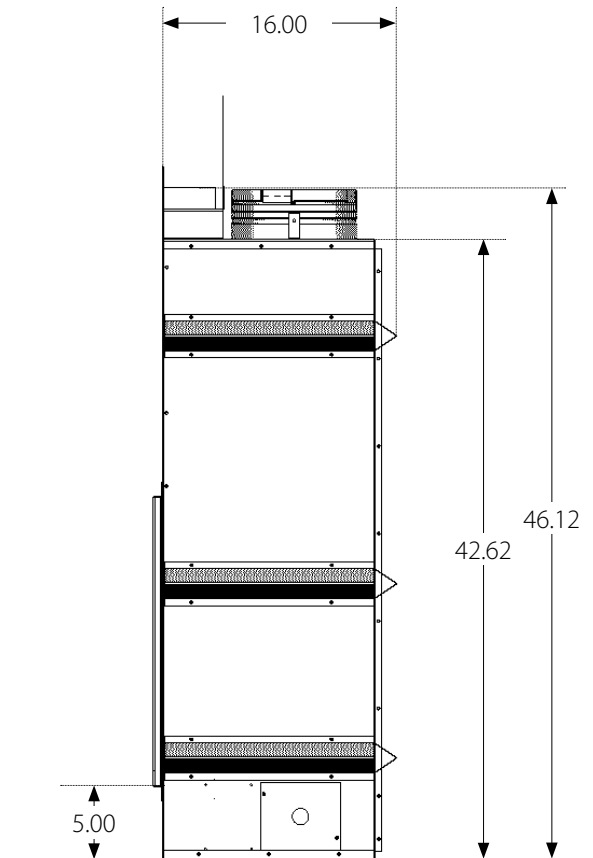
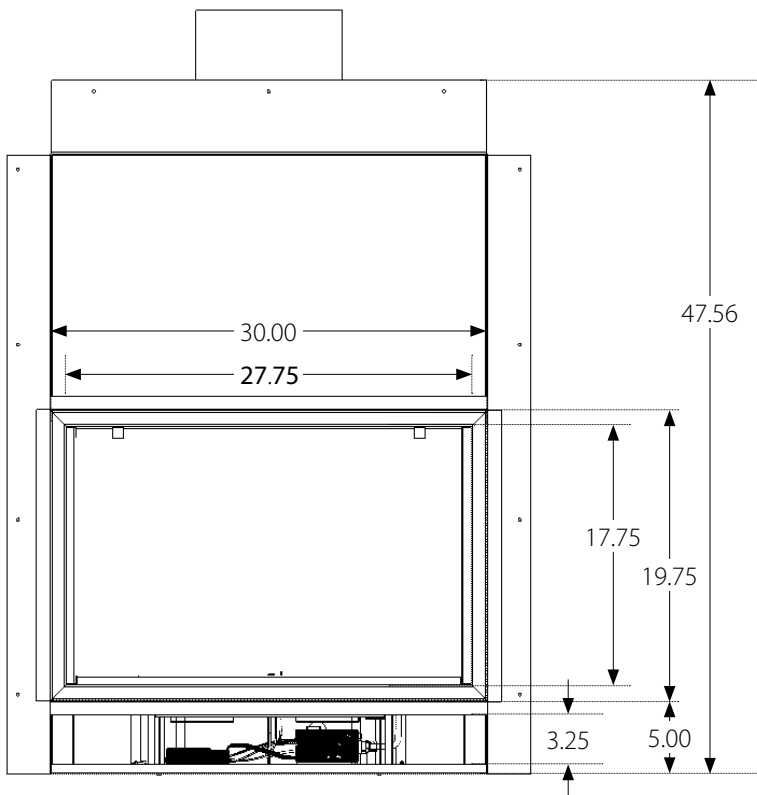
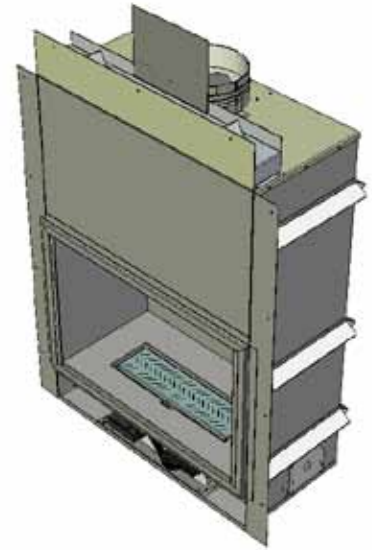
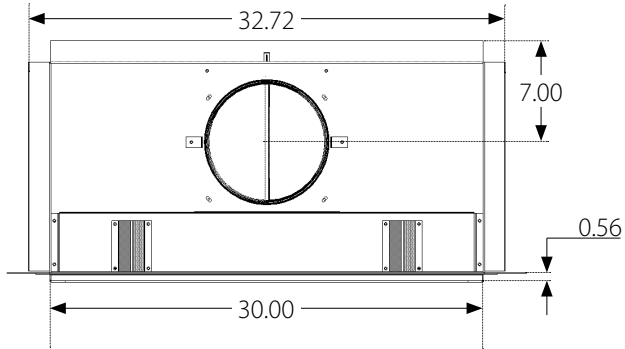


all dimensions in inches, ± 0.20

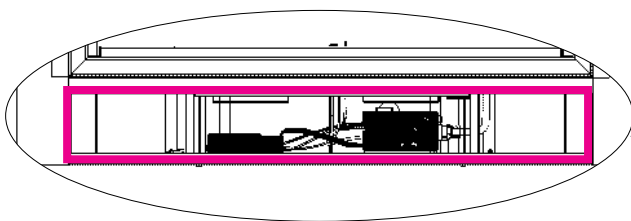
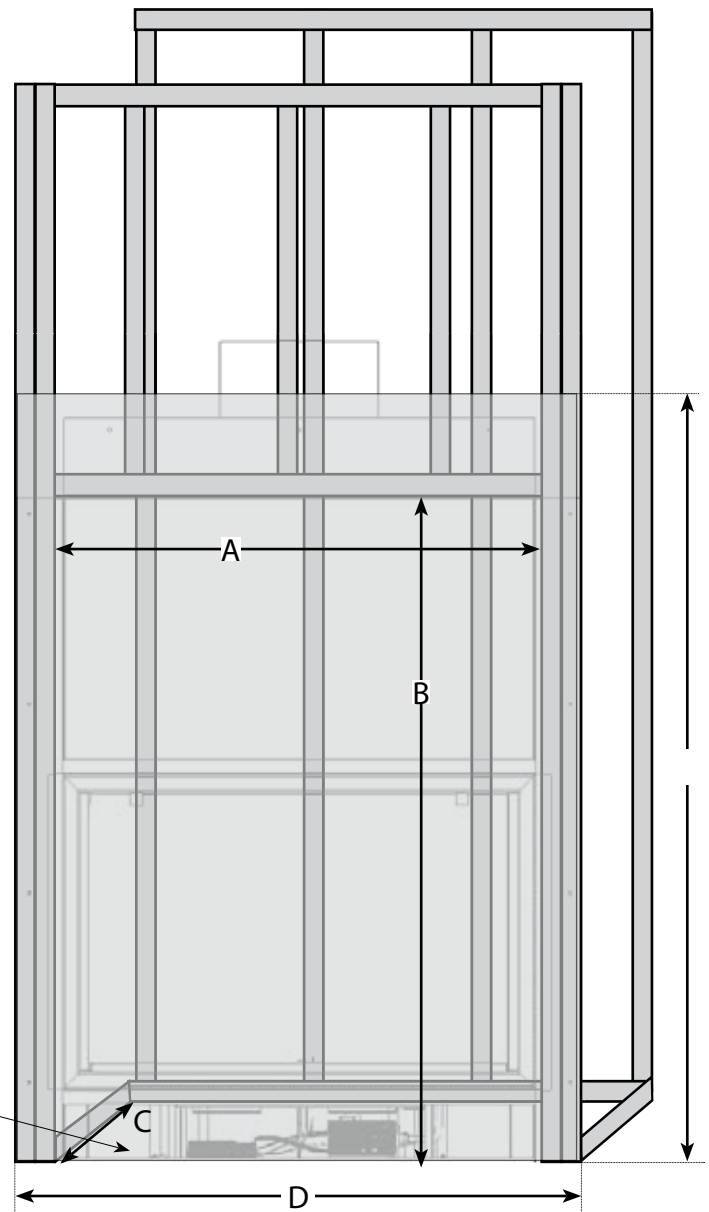


This information is for reference only. Please consult the Installation Manual for all details prior to making any design decisions.

- Requires 8" dia. Type B venting.
- Only vertical venting is allowed.
- Venting must be at least 10' high.
- Requires a site-built combustion air inlet.
- Preferred air inlet shown outlined, below. Consult with manufacturer *before* using alternative air inlet placements.

A	Rough Opening Width	33"
B	Rough Opening Height	46 1/4"
C	Rough Opening Depth	16"
D	Non-combustible Zone Width	38 1/2"
E	Non-combustible Zone Height	49"

all dimensions in inches, -0.0



Preferred Combustion Air Inlet