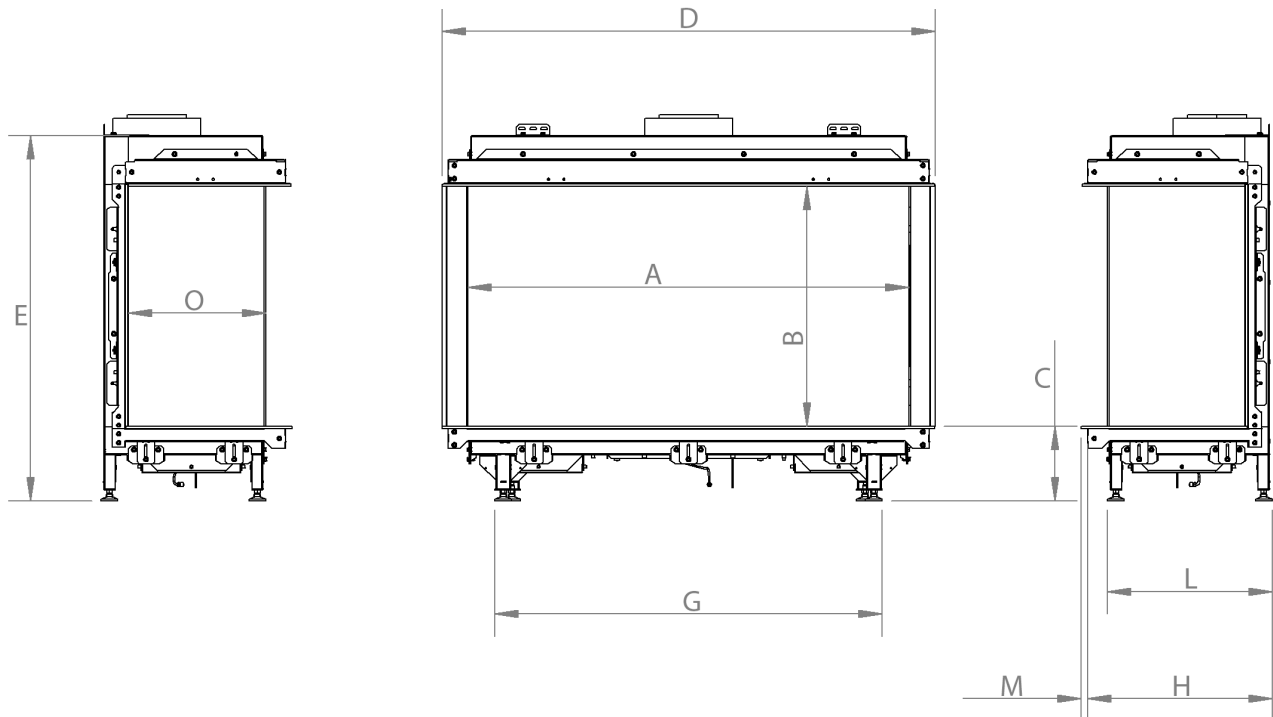
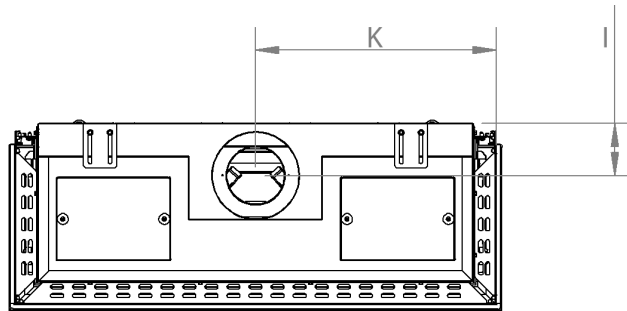
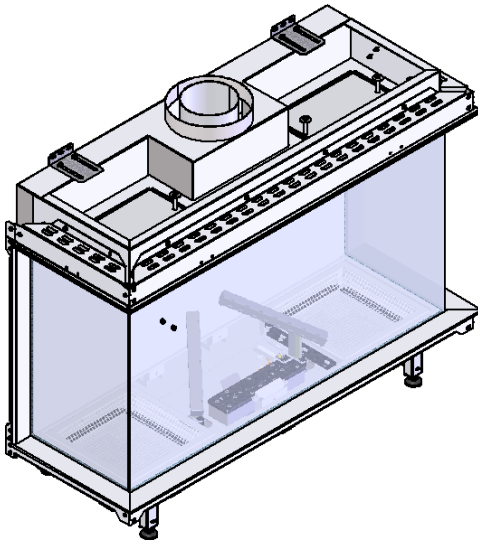


manufactured by  
**Element4 B.V.**

# Summum 70 3-Sided Cut Sheet

distributed by  
**EuropeanHome**

005/2020



LETTERS	A	B	C	D	E	G	H	I	K	L	M	O
INCHES	$39\frac{3}{8}"$	$21\frac{7}{16}"$	$6\frac{11}{16}"$	$42\frac{15}{16}"$	$32\frac{5}{8}"$	$34\frac{9}{16}"$	$16\frac{7}{16}"$	$4\frac{11}{16}"$	$21\frac{1}{2}"$	$14\frac{11}{16}"$	$\frac{1}{2}"$	$12\frac{5}{16}"$
[MILLIMETERS]	[1000]	[545]	[170]	[1091]	[829]	[878]	[418]	[119]	[546]	[373]	[12]	[312]

This information is for reference only. Please consult the Installation Manual for all details prior to making any design decisions.  
Conversions from millimeters are rounded to the nearest fraction. A DWG file is available at [www.europeanhome.com](http://www.europeanhome.com)