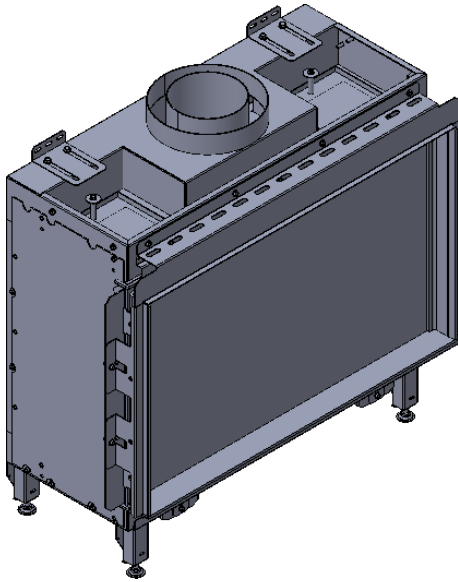


manufactured by  
**Element4 B.V.**

# Summum 70 F Planning Dimensions

5/2019

distributed by  
**EuropeanHome**



UNIT WEIGHT	
Pounds	Kilograms
110	50

Letter	A	B	C	D	E	F	G	H
Inches	7 <sup>13</sup> / <sub>16</sub>	5 <sup>5</sup> / <sub>16</sub>	1 <sup>15</sup> / <sub>16</sub>	31 <sup>1</sup> / <sub>4</sub>	27 <sup>13</sup> / <sub>16</sub>	27 <sup>13</sup> / <sub>16</sub>	13 <sup>3</sup> / <sub>16</sub>	4 <sup>1</sup> / <sub>16</sub>
Millimeters	199	134	48	793	706	706	339	119

Letter	I	J	K	L	M	N	O
Inches	13 <sup>5</sup> / <sub>16</sub>	11	2 <sup>5</sup> / <sub>16</sub>	16 <sup>1</sup> / <sub>2</sub>	6 <sup>11</sup> / <sub>16</sub>	26 <sup>5</sup> / <sub>8</sub>	4 <sup>3</sup> / <sub>16</sub>
Millimeters	338	280	58	418	170	676	105

