



Specifications and Dimensions Sheet

European Home
30 Log Bridge Road
Building 300 - Suite 303
Middleton, MA 01949
(781) 324-8383



A European Home Product Line

Compton 1000



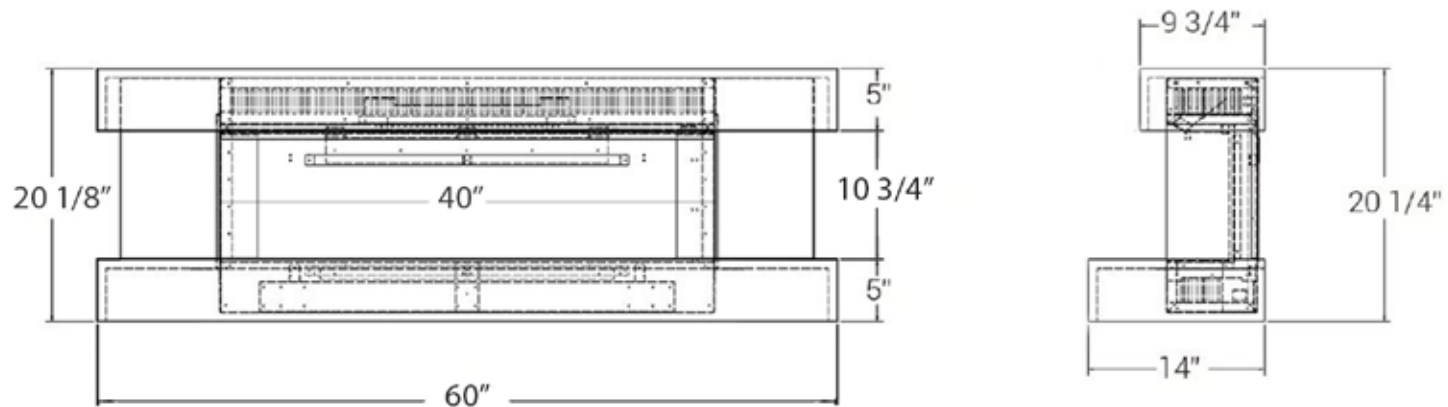
Woodland Log Set



Specifications

Flame Effect	Powered By Electricity
Heat Output (W)	1,000 - 2,000 W
Heat Output (BTU/hr)	3,400 - 6,800 BTU/hr
Power Supply	15 Amp, 120 Volt Circuit
Viewable Opening	40" W x 10-3/4" H
Venting	None Required
Flame Effect Adjustment	Yes
Fire Media	Woodland Log Set (Standard) <i>*other non-combustible fire media may be used.</i>
Control System	E-touch App Control
Remote Control	E-touch Control
Certifications	UL E54813, UL E228455, UL E140692

Dimensions



Compton 2



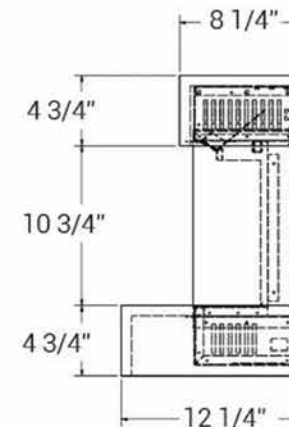
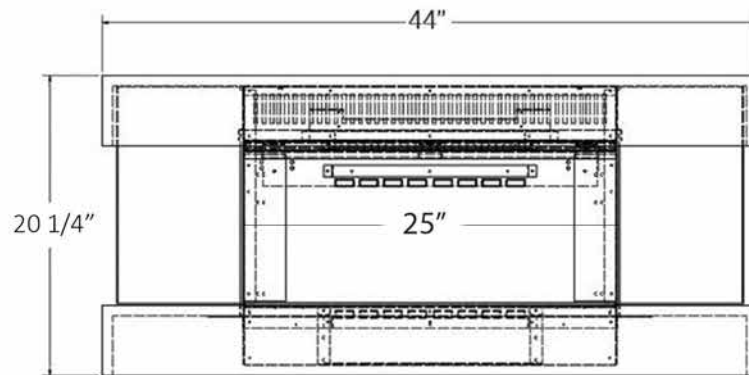
Woodland Log Set



Specifications

Flame Effect	Powered By Electricity
Heat Output (W)	1,000 - 2,000 W
Heat Output (BTU/hr)	3,400 - 6,800 BTU/hr
Power Supply	15 Amp, 120 Volt Circuit
Viewable Opening	25" W x 10-3/4" H
Venting	None Required
Flame Effect Adjustment	Yes
Fire Media	Woodland Log Set (Standard) <i>*other non-combustible fire media may be used.</i>
Control System	E-touch App Control
Remote Control	E-touch Control
Certifications	UL E54813, UL E228455, UL E140692

Dimensions



E32 H



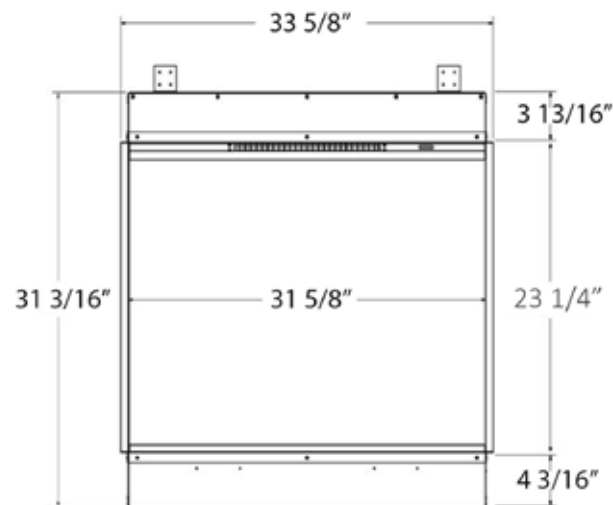
Woodland Log Set



Specifications

Flame Effect	Powered By Electricity
Heat Output (W)	1,000 - 2,000 W
Heat Output (BTU/hr)	3,400 - 6,800 BTU/hr
Power Supply	15 Amp, 120 Volt Circuit
Viewable Opening	31-5/8" W x 23-1/4" H
Venting	None Required
Flame Effect Adjustment	Yes
Fire Media	Woodland Log Set (Standard) <i>*other non-combustible fire media may be used.</i>
Control System	E-touch App Control
Remote Control	E-touch Control
Certifications	UL E54813, UL E228455, UL E140692

Dimensions



E32 H (3-Sided)



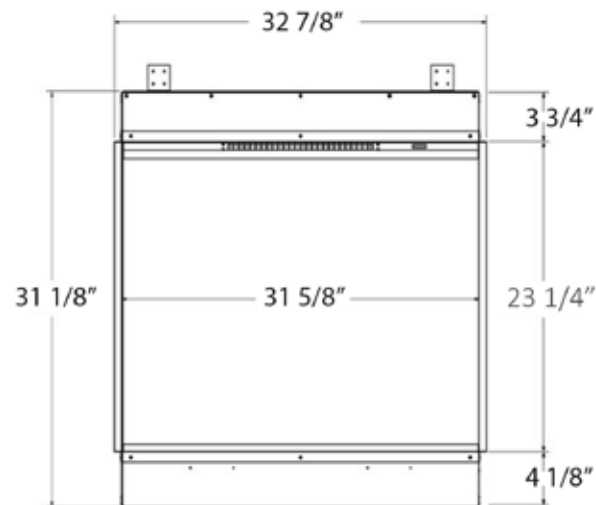
Woodland Log Set



Specifications

Flame Effect	Powered By Electricity
Heat Output (W)	1,000 - 2,000 W
Heat Output (BTU/hr)	3,400 - 6,800 BTU/hr
Power Supply	15 Amp, 120 Volt Circuit
Viewable Opening	31-5/8" W x 23-1/4" H
Venting	None Required
Flame Effect Adjustment	Yes
Fire Media	Woodland Log Set (Standard) <i>*other non-combustible fire media may be used.</i>
Control System	E-touch App Control
Remote Control	E-touch Control
Certifications	UL E54813, UL E228455, UL E140692

Dimensions



E40

Specifications

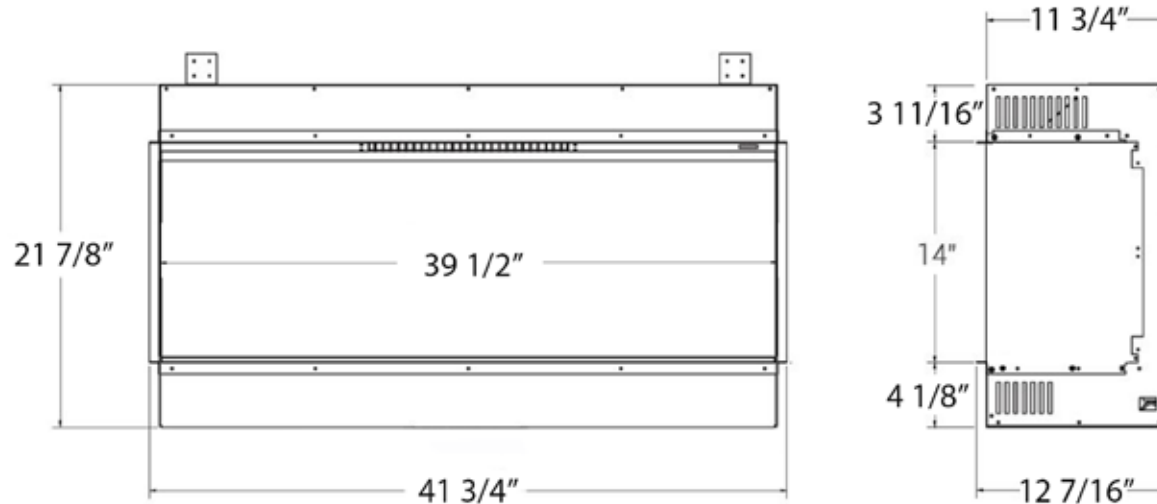


Flame Effect	Powered By Electricity
Heat Output (W)	1,000 - 2,000 W
Heat Output (BTU/hr)	3,400 - 6,800 BTU/hr
Power Supply	15 Amp, 120 Volt Circuit
Viewable Opening	39-1/2" W x 14" H
Venting	None Required
Flame Effect Adjustment	Yes
Fire Media	Woodland Log Set (Standard) <i>*other non-combustible fire media may be used.</i>
Control System	E-touch App Control
Remote Control	E-touch Control
Certifications	UL E54813, UL E228455, UL E140692

Woodland Log Set



Dimensions



E40 (3-Sided)



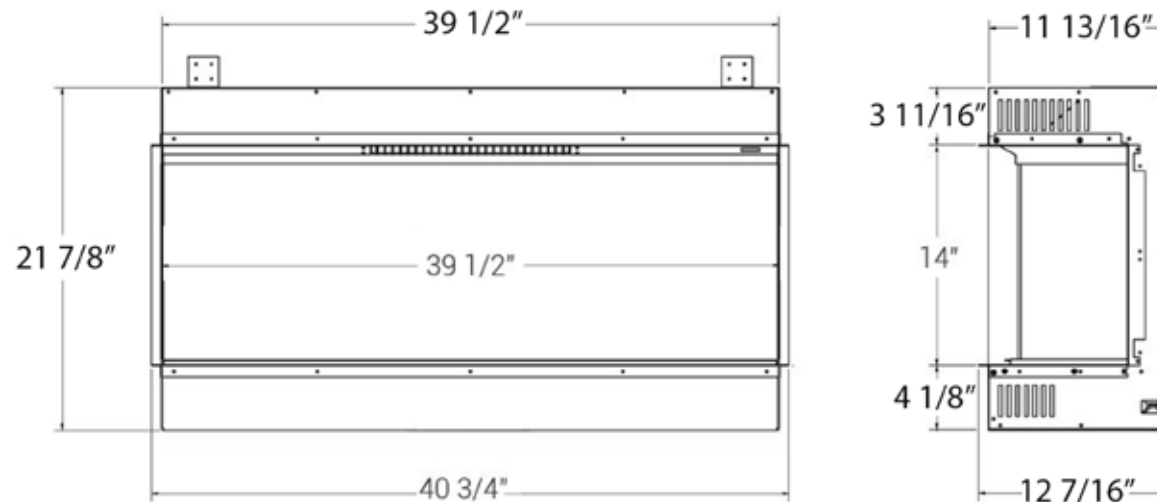
Woodland Log Set



Specifications

Flame Effect	Powered By Electricity
Heat Output (W)	1,000 - 2,000 W
Heat Output (BTU/hr)	3,400 - 6,800 BTU/hr
Power Supply	15 Amp, 120 Volt Circuit
Viewable Opening	39-1/2" W x 14" H
Venting	None Required
Flame Effect Adjustment	Yes
Fire Media	Woodland Log Set (Standard) <i>*other non-combustible fire media may be used.</i>
Control System	E-touch App Control
Remote Control	E-touch Control
Certifications	UL E54813, UL E228455, UL E140692

Dimensions



E60 Single



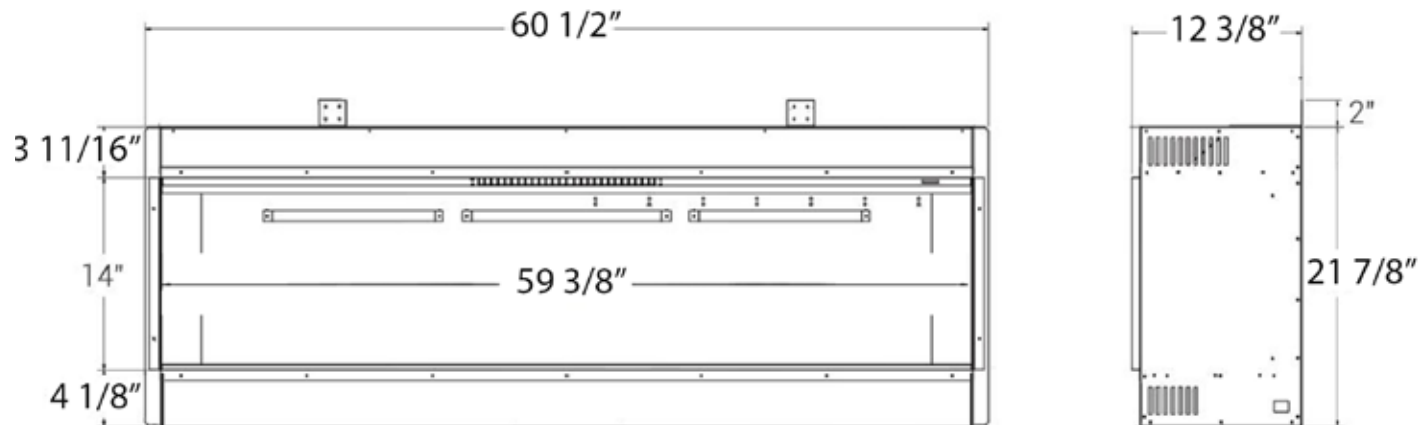
Woodland Log Set



Specifications

Flame Effect	Powered By Electricity
Heat Output (W)	1,000 - 2,000 W
Heat Output (BTU/hr)	3,400 - 6,800 BTU/hr
Power Supply	15 Amp, 120 Volt Circuit
Viewable Opening	59-3/8" W x 14" H
Venting	None Required
Flame Effect Adjustment	Yes
Fire Media	Woodland Log Set (Standard) <i>*other non-combustible fire media may be used.</i>
Control System	E-touch App Control
Remote Control	E-touch Control
Certifications	UL E54813, UL E228455, UL E140692

Dimensions



E60 (3-Sided)



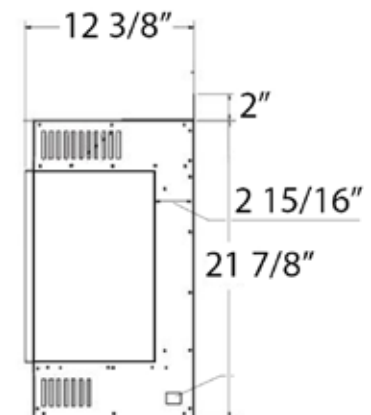
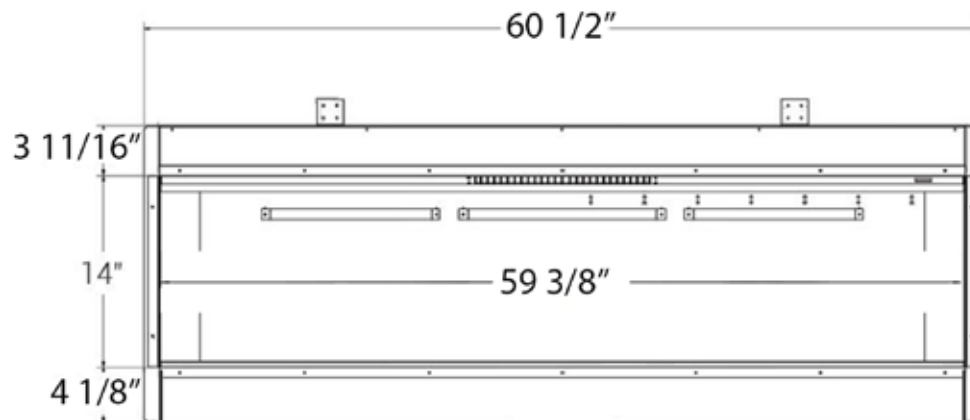
Woodland Log Set



Specifications

Flame Effect	Powered By Electricity
Heat Output (W)	1,000 - 2,000 W
Heat Output (BTU/hr)	3,400 - 6,800 BTU/hr
Power Supply	15 Amp, 120 Volt Circuit
Viewable Opening	59-3/8" W x 14" H
Venting	None Required
Flame Effect Adjustment	Yes
Fire Media	Woodland Log Set (Standard) <i>*other non-combustible fire media may be used.</i>
Control System	E-touch App Control
Remote Control	E-touch Control
Certifications	UL E54813, UL E228455, UL E140692

Dimensions



E72

Specifications

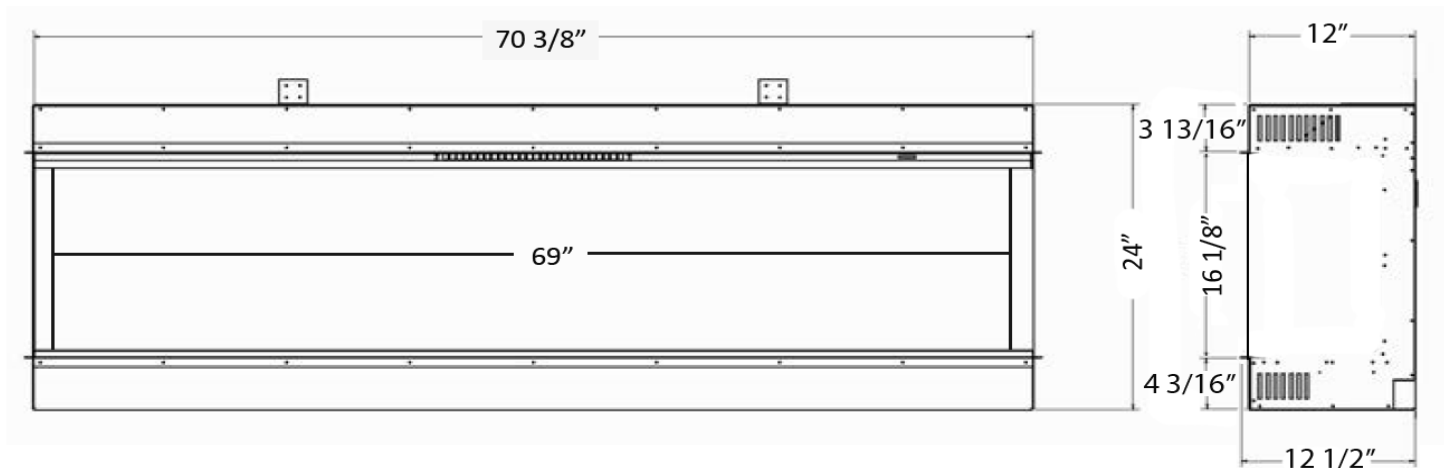


Flame Effect	Powered By Electricity
Heat Output (W)	1,000 - 2,000 W
Heat Output (BTU/hr)	3,400 - 6,800 BTU/hr
Power Supply	15 Amp, 120 Volt Circuit
Viewable Opening	69" W x 16-1/8" H
Venting	None Required
Flame Effect Adjustment	Yes
Fire Media	Woodland Log Set (Standard) <i>*other non-combustible fire media may be used.</i>
Control System	E-touch App Control
Remote Control	E-touch Control
Certifications	UL E54813, UL E228455, UL E140692

Woodland Log Set



Dimensions



E72 (3-Sided)



Woodland Log Set



Specifications

Flame Effect	Powered By Electricity
Heat Output (W)	1,000 - 2,000 W
Heat Output (BTU/hr)	3,400 - 6,800 BTU/hr
Power Supply	15 Amp, 120 Volt Circuit
Viewable Opening	69" W x 16-1/8" H
Venting	None Required
Flame Effect Adjustment	Yes
Fire Media	Woodland Log Set (Standard) <i>*other non-combustible fire media may be used.</i>
Control System	E-touch App Control
Remote Control	E-touch Control
Certifications	UL E54813, UL E228455, UL E140692

Dimensions

