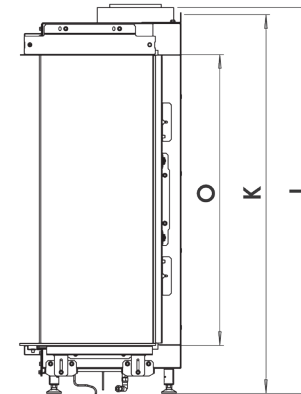
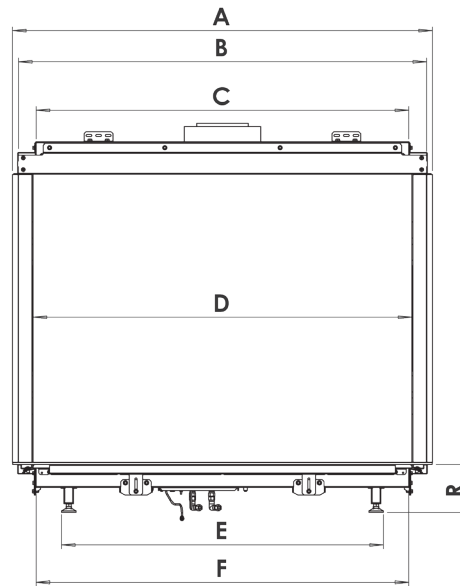
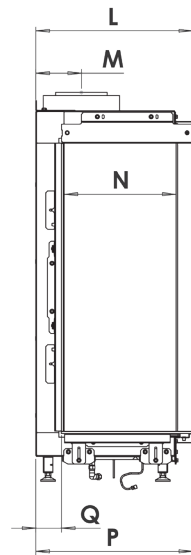
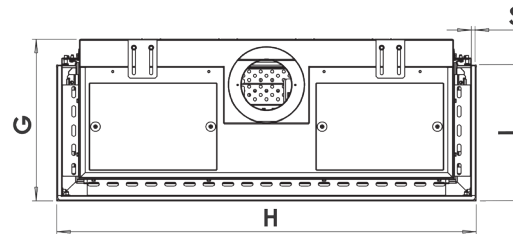
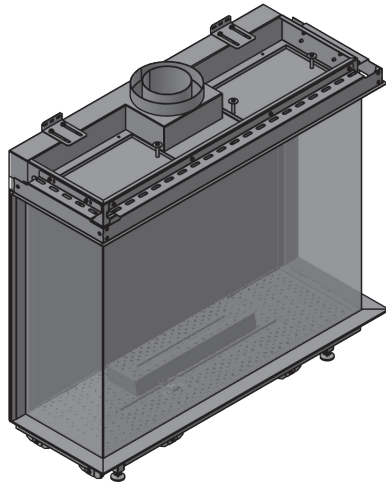


manufactured by  
**Element4 B.V.**

**Trisore 100H MK II Planning Dimensions**  
7/2018

distributed by  
**EuropeanHome**



Letter	Inches	Millimeters
A	42 3/4	1086
B	42	1067
C	38 3/8	975
D	38 7/8	987
E	33	838
F	38 5/16	973
G	16 9/16	421
H	43	1092
I	13 7/8	352
J	39 1/2	1003
K	38 9/16	979
L	16 1/16	408
M	4 11/16	119
N	11 5/8	295
O	29 3/4	756
P	16 1/16	408
Q	2 5/8	67
R	4 15/16	125
S	3/8	10

This information is for reference only. Please consult the Installation Manual for all details prior to making any design decisions.  
Conversions from millimeters are rounded to the nearest fraction. This DWG file is available at [www.europeanhome.com](http://www.europeanhome.com)

PDE4T100HMKII-180731