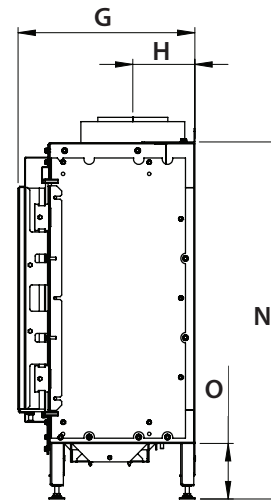
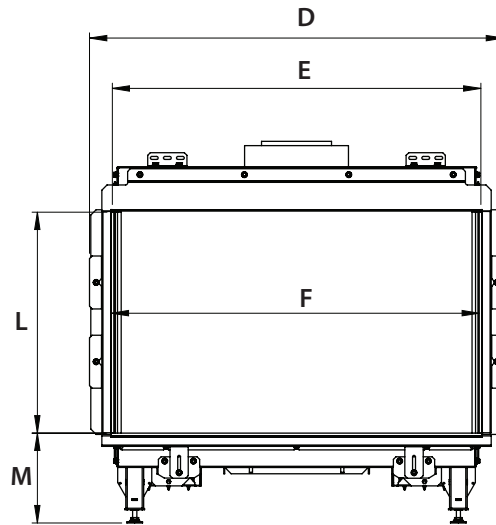
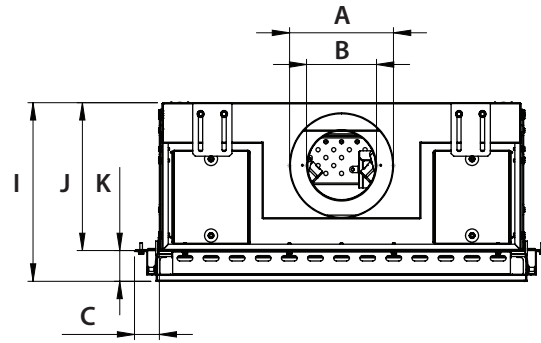


manufactured by
Element4 B.V.

Summum 70 F Planning Dimensions

2/2019

distributed by
EuropeanHome



Letter	A	B	C	D	E	F	G	H	I	J	K	L	M	N	O
Inches	7 ¹ / ₁₆	5 ⁵ / ₁₆	1 ¹ / ₁₆	31 ¹ / ₄	27 ¹³ / ₁₆	27 ¹³ / ₁₆	13 ³ / ₁₆	4 ¹ / ₁₆	13 ³ / ₁₆	11	2 ⁵ / ₁₆	16 ¹ / ₂	6 ¹ / ₁₆	26 ⁵ / ₈	4 ³ / ₁₆
Millimeters	199	134	48	793	706	706	339	119	338	280	58	418	170	676	105

UNIT WEIGHT	
Pounds	Kilograms
110	50

This information is for reference only. Please consult the Installation Manual for all details prior to making any design decisions. Conversions from millimeters are rounded to the nearest fraction. A DWG file is available at www.europeanhome.com