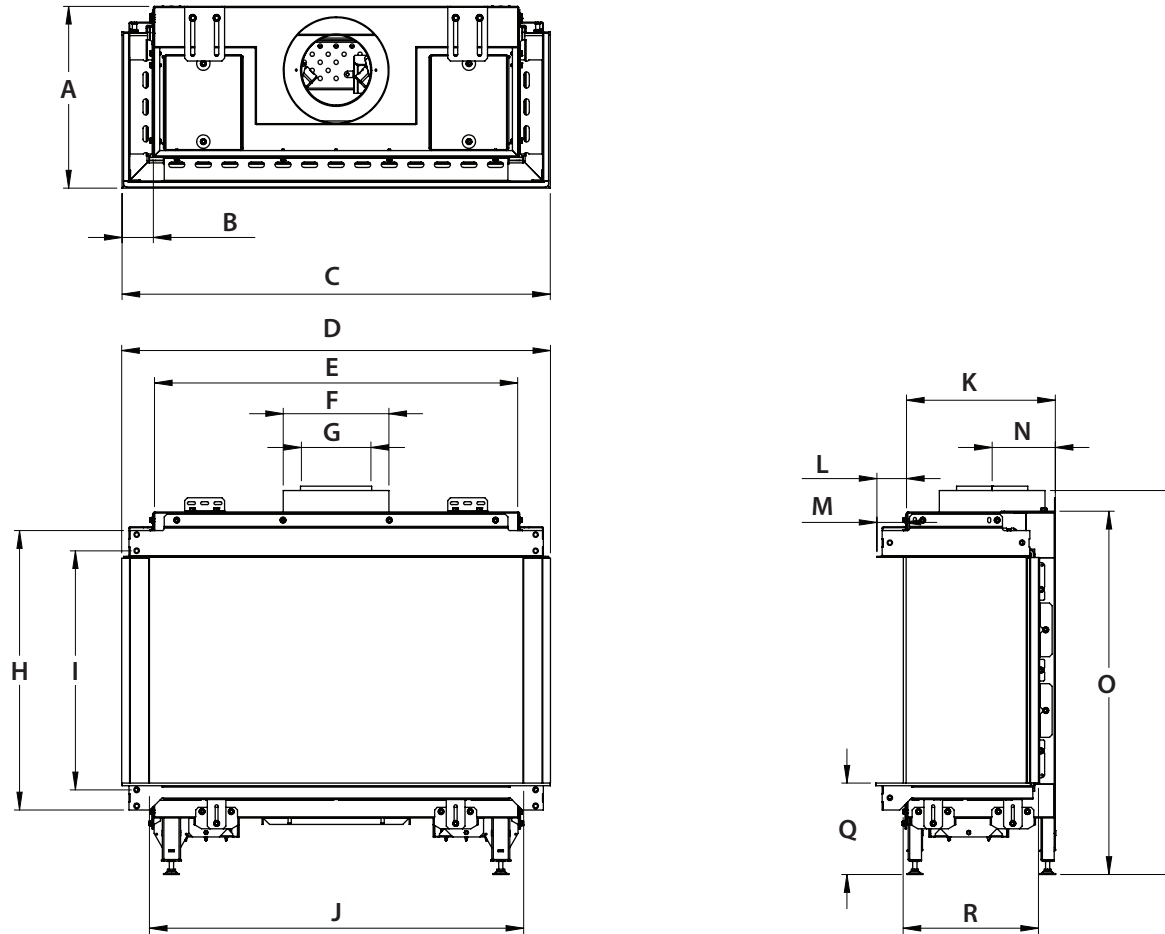


manufactured by
Element4 B.V.

Summum 70 3S Planning Dimensions

2/2019

distributed by
EuropeanHome



Letter	A	B	C	D	E	F	G	H	I	J	K	L	M	N	O	P	Q	R
Inches	13 ⁵ / ₁₆	2 ³ / ₈	31 ³ / ₄	31 ¹³ / ₁₆	26 ¹⁵ / ₁₆	7 ¹³ / ₁₆	5 ³ / ₁₆	20 ¹ / ₂	17 ¹ / ₂	27 ¹³ / ₁₆	11	2 ³ / ₁₆	2	4 ¹ / ₁₆	26 ⁵ / ₈	28 ³ / ₈	6 ¹ / ₁₆	10 ¹ / ₁₆
Millimeters	338	59	806	807	684	199	131	520	445	705	280	56	50	119	676	714	170	255

UNIT WEIGHT	
Pounds	Kilograms
110	50

This information is for reference only. Please consult the Installation Manual for all details prior to making any design decisions. Conversions from millimeters are rounded to the nearest fraction. A DWG file is available at www.europeanhome.com