

Dimension	HVF-42-P	HVF-60-P	HVF-72-P
A	47"	65"	77"
B	44 1/2"	62 3/4"	74 1/2"
C	38"	49"	59"
D	3"	9 1/4"	10 1/4"
Flame Width	37.5"	37.5"	37.5"

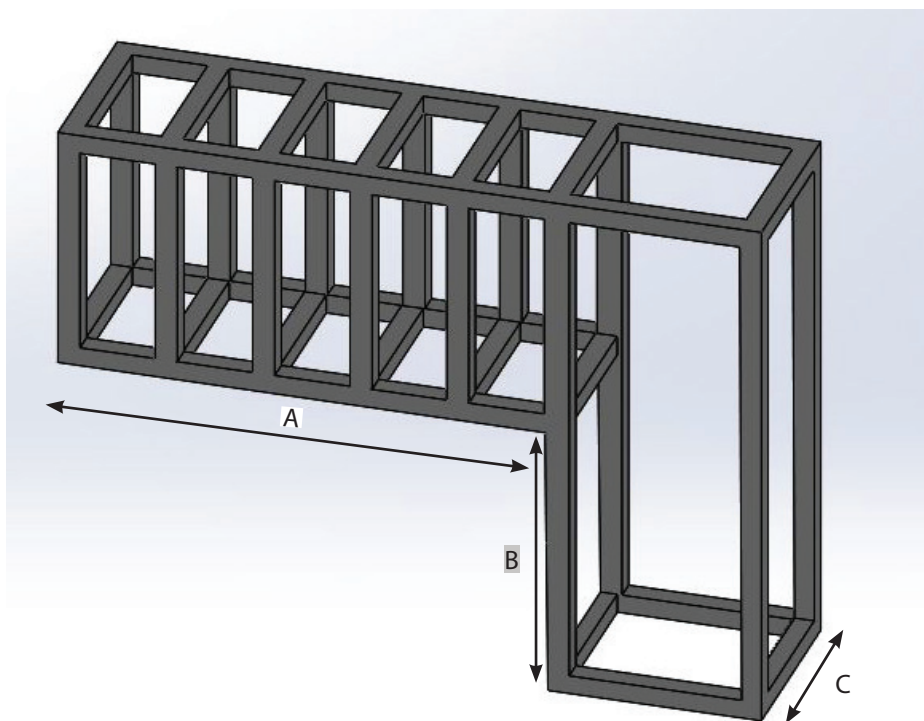
Dimensions by Model

H Series Burner	
Fuel	Natural Gas ONLY
Manifold Pressure	3.5" w.c. (0.87 kPa)
Minimum Supply Pressure	4.0" w.c. (1.0 kPa)
Maximum Supply Pressure	7.0" w.c. (1.7 kPa)
Orifice Size	#47 DMS
Input (High, BTU/hr.)	37,500
Input (Low, BTU/hr.)	25,000
Electrical	120V AC 60Hz 2.5A max

Burner Specifications

ROUGH OPENING

Dimension	HVF-42-P	HVF-60-P	HVF-72-P
A (Width)	48½"	66¾"	78½"
B (Height)	28⅞"	28⅞"	28⅞"
C (Depth)	18"	18"	18"

Rough Opening Dimensions by Model*Rough Opening for HVF-42-P, HVF-60-P and HVF-72-P*