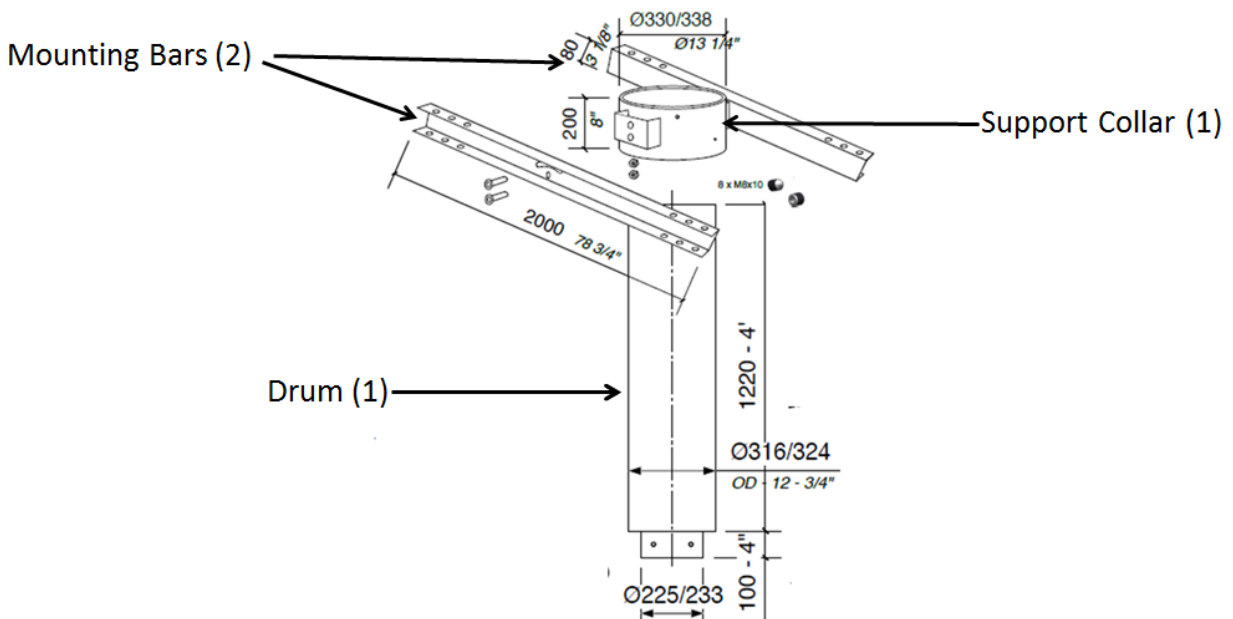




Focus Adjustable Suspension Plate Cutting and Installation Instructions

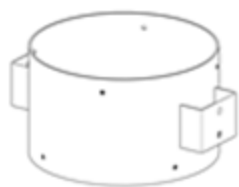


The Focus adjustable suspension plate is designed to be used on rafters/structures with a pitch between zero and forty-five degrees.

Parts of the adjustable suspension plate include the mounting bars (2), support collar (1) and drum (1). The drum portion of this plate is longer than most applications require and is designed to be field cut for various installation conditions.

The mounting bars may be cut to length and must be attached securely to the rafter/structure using fasteners such as lag or through bolts to support the weight of the fireplace and flue.

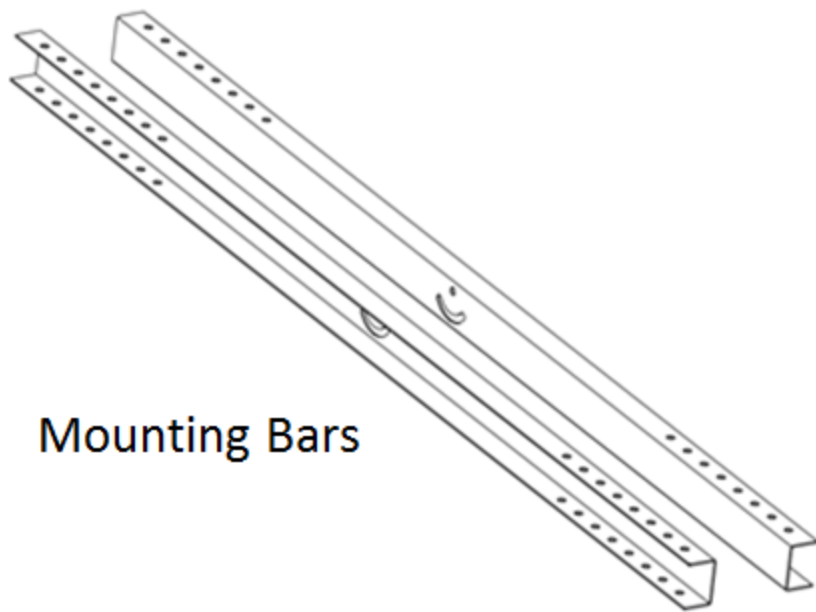
Support Collar



Drum



Mounting Bars



The steps of installation and cutting of the adjustable suspension plate are as follows:

1 - Assemble and adjust the support collar angle between the mounting bars. Tighten mounting bars to support collar using supplied nuts, bolts and lock washers.

2 - Mount the assembly in/on the ceiling/roof and install the drum inside the collar from below.

3 - Adjust to the desired length below the ceiling (3" minimum). This measurement is for the large portion of the drum.

4 - Trace the level above the collar with a pencil or using adhesive tape (you can use the collar as a guide) and remove the drum.

5 - Cut the drum with an angle grinder outfitted with a cutting wheel following the marking.

6 - Install the drum square and using a level to confirm and tighten firmly following the pattern below.

1s – Install first x 3

2s – Install next x 2

3s – Install last x 3

Please note screws are not designed to sit flush with support collar.

