



## *Joist*

# Designer Surround Installation Guide

Exclusively designed to fit these  
Element 4 Modore Fireplaces:

95

140

185

# TABLE OF CONTENTS

Important Information	3
Specifications and Dimensions	5
Pre-Installation Planning	6
Installation	7
Maintenance	12
Warranty	13

# IMPORTANT INFORMATION

## PRODUCT INSTALLATION RECORD

**Installer:** Please complete this form.

**Customer:** Please retain this information.

Purchased From	
Date of Purchase	
Installed By	
Date of Installation	
Surround Serial Number	

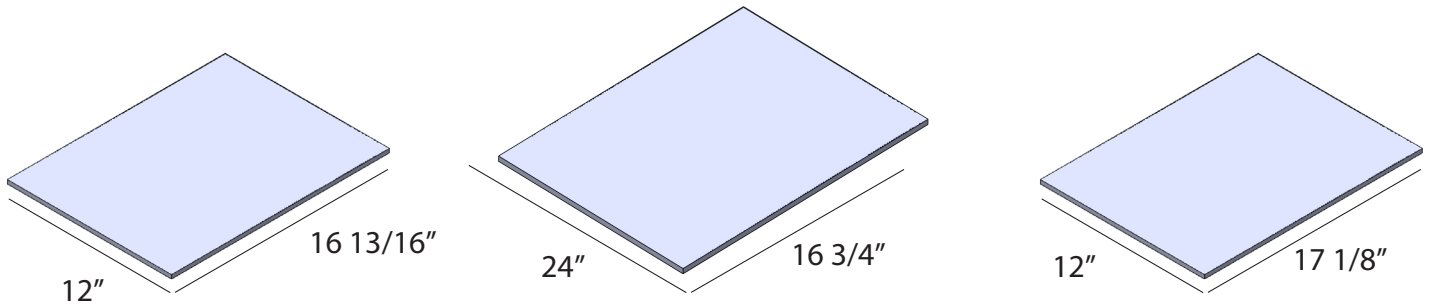
Thank you for your purchase of a **Designer Surround for Element4!**

Since your **Designer Surround for Element4** is designed to install, and perform, like ceramic tile, it should be installed by a professional.

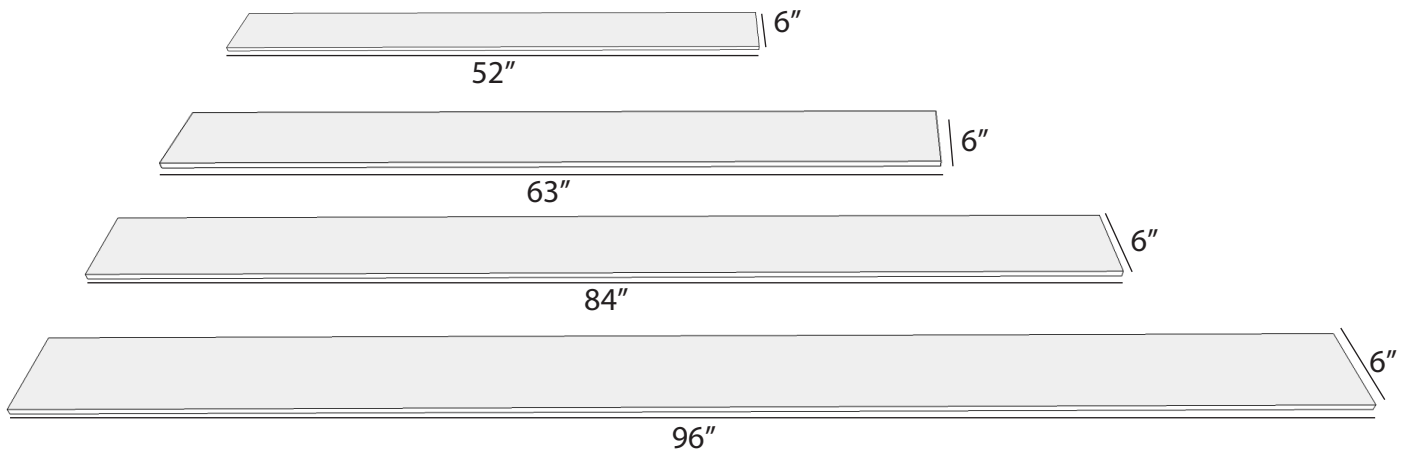
Please refer to your dealer for additional information for professional installers .

# JOIST SURROUND PANELS

## Joist Tile Panels



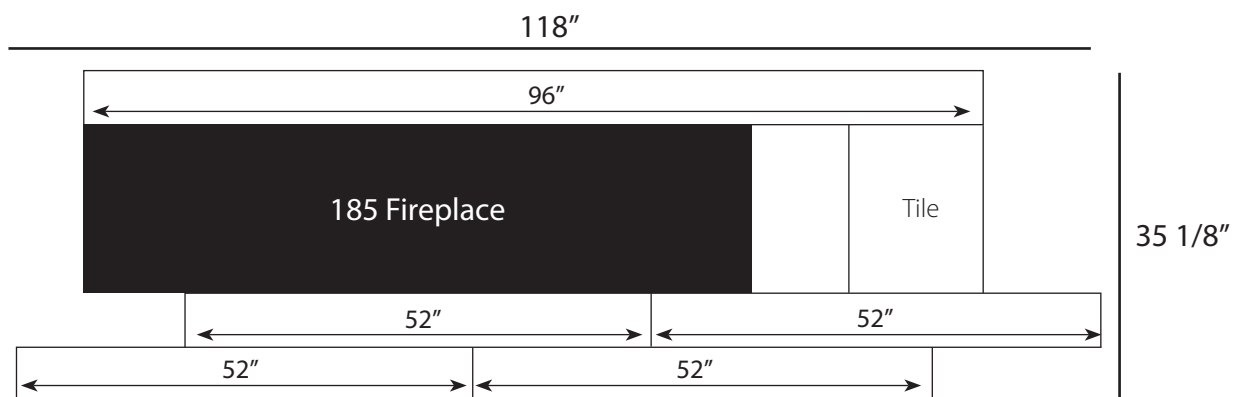
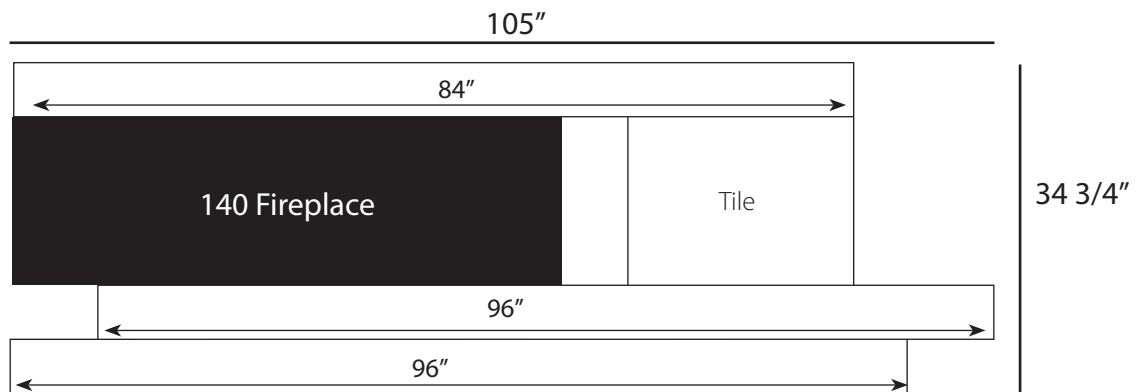
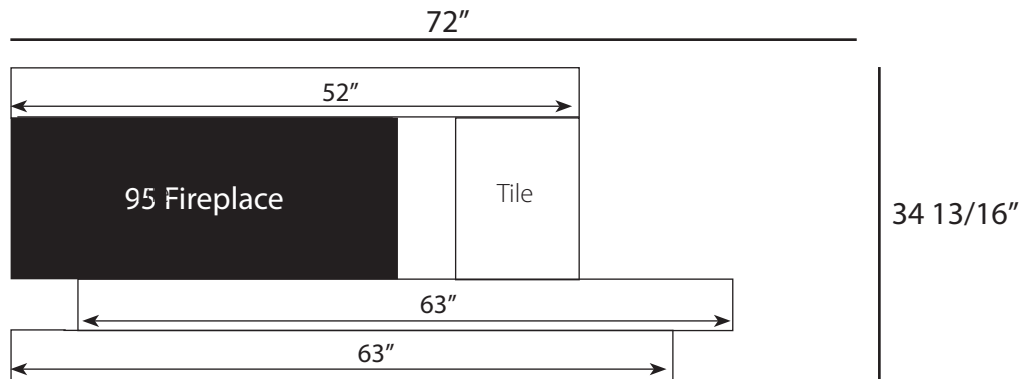
## Joist Metal Panels



	52" Metal	63" Metal	84" Metal	96" Metal	16 13/16" Tile	16 3/4" Tile	17 1/8" Tile
95 Joist	1	2	-	-	1	-	-
140 Joist	-	-	1	2	-	1	-
185 Joist	4	-	-	1	-	-	1

Each surround contains Metal and Tile Panels according to the chart, above.  
All surround panels are 7/16" thick

# SPECIFICATIONS and DIMENSIONS



# PRE-INSTALLATION PLANNING

## BEFORE YOU BEGIN

These surrounds are intended to be installed in the same manner as a french cleat system. (See image below)

Please read these instructions thoroughly before proceeding. There is information which is important for safe and effective installation.

Please inspect the shipment for completeness and any damage. Contact your retailer if any damage is found. Do not install the surround with any damaged or substituted parts.

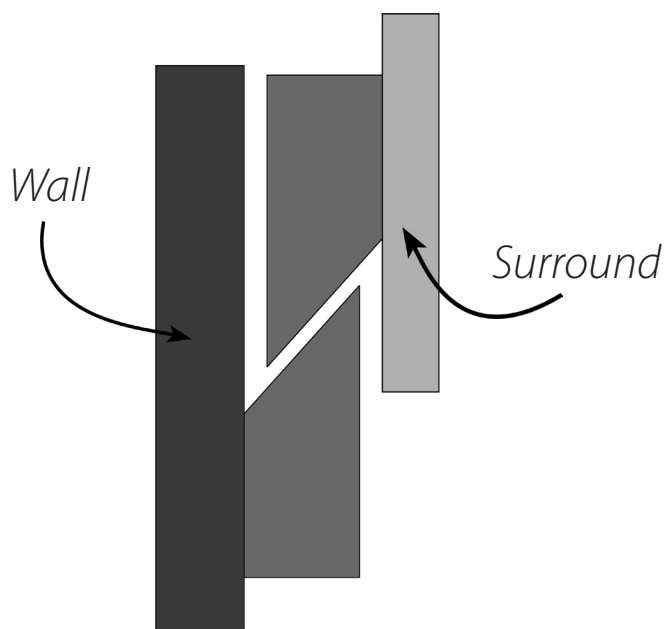
For the best finished results, please consider hiring a professional Carpenter or Contractor to install these surround panels. Dealer can also be referred.

Before you begin your installation you should have the following tools and supplies:

- Gloves
- Pencil
- Impact Gun
- Drill
- Level
- Tape Measure and Framing Square
- Lint-free Cloth
- Stud-finder
- #8 Screws (Bugle Head)

### Included with the Surround Panels:

- Various sized Z-Clips

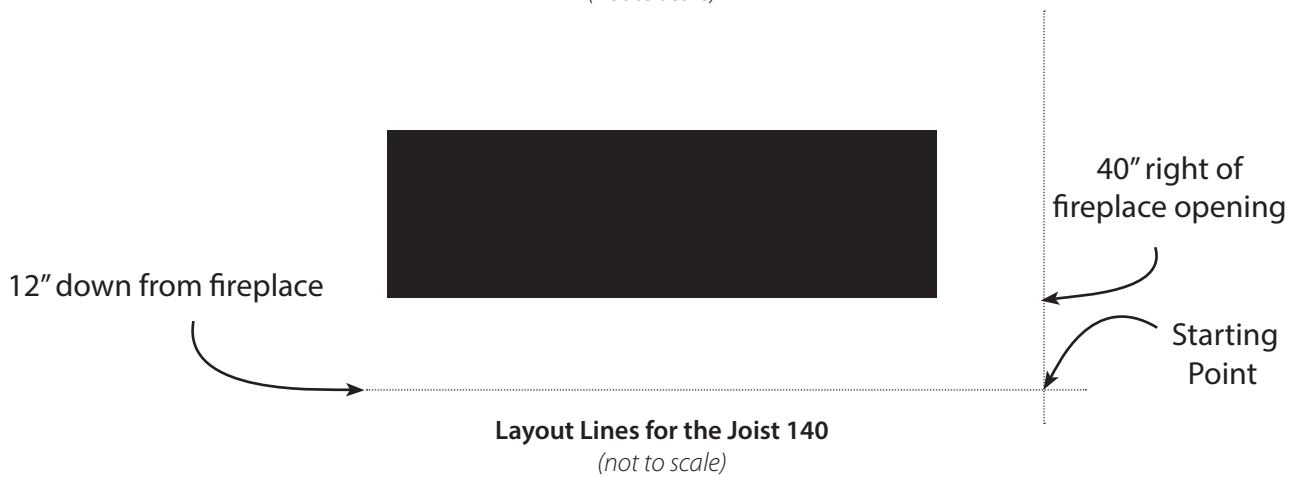
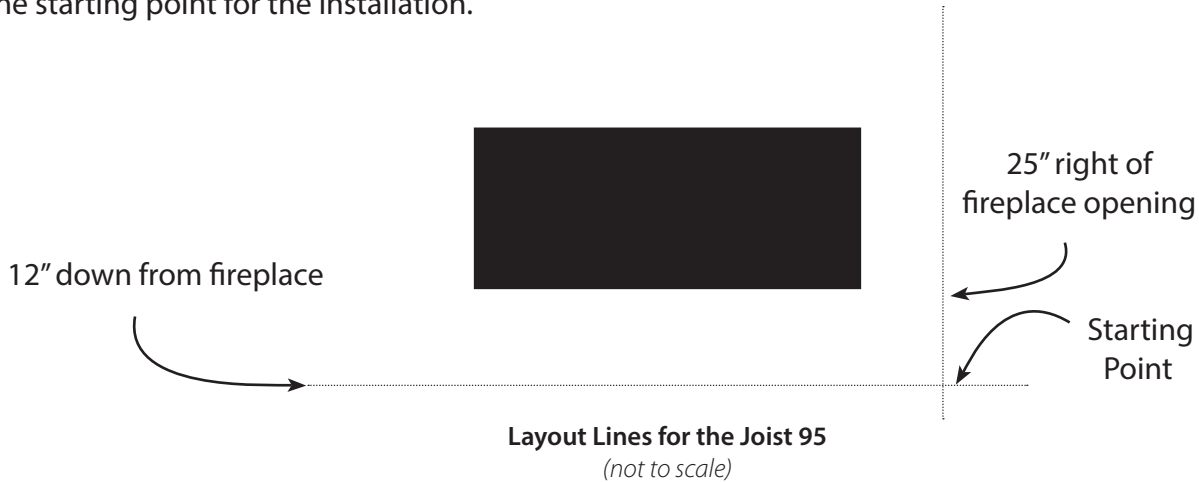


# INSTALLATION

## LAYING OUT THE PANELS

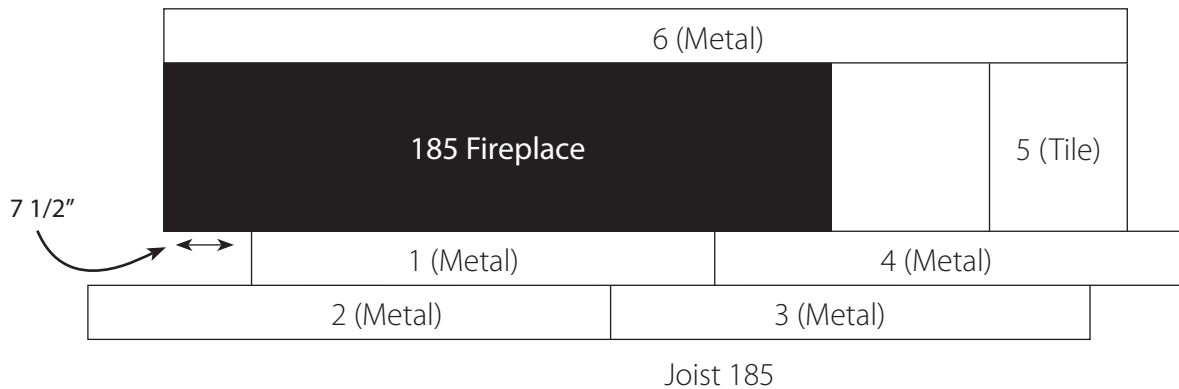
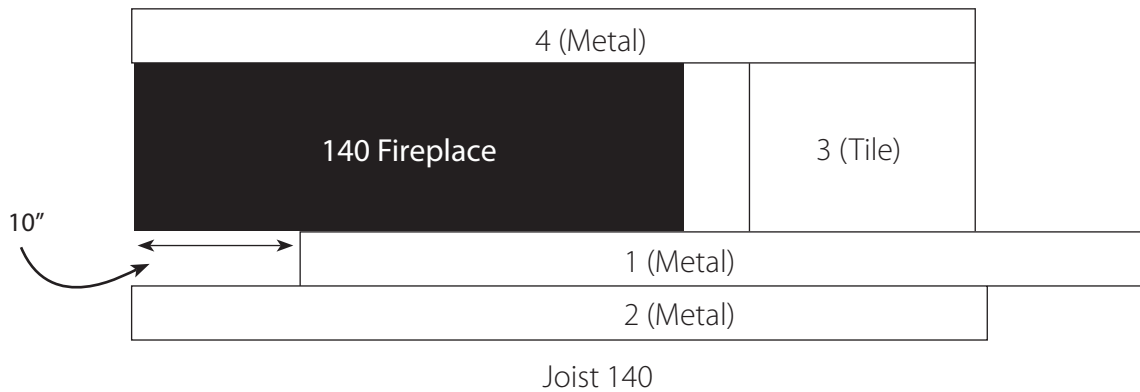
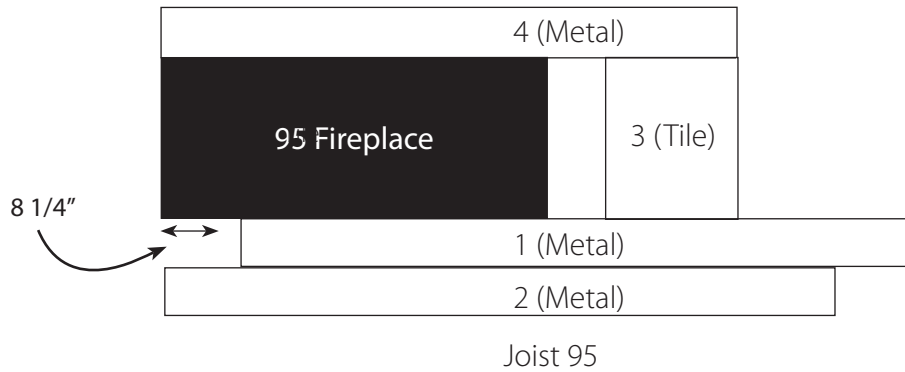
The panels of the **Designer Surround for Element4** are made to fit against the fireplace opening and each other.

First, hold a metal panel up to the lower edge of the fireplace and mark the wall with a light pencil line along the lower edge of the metal panel(s). Then draw a straight line parallel to the right edge of the fireplace opening at the distance shown below as appropriate for your surround model. The intersection of these two lines is the starting point for the installation.



# INSTALLATION: WALL LAYOUT

The metal panels and tile panels should be applied to the wall in the order shown below. They will be hung on the wall using z-clips by the system described on page 6,9,10 and 11.





# INSTALLATION: WALL LAYOUT + Z-CLIPS

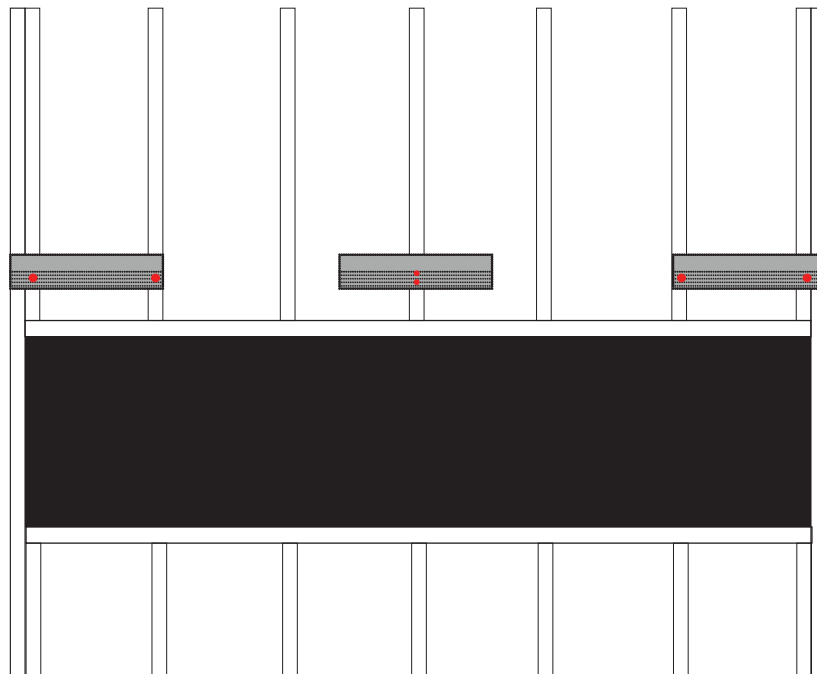
## NOTE ABOUT Z-CLIPS

Z-clips installed on the wall should have the interlocking side facing up. The slotted side of the clips face the wall. The length of the clips is to account for contact with the existing wall stud behind the wall sheeting. Mount the Z-clips to studs only.

## Z-CLIP INSTALLATION PREP - REFER TO GRAPHICS ON PAGES 10-11

- Use a stud-finder to mark the stud locations above, below, and flanking the fireplace within the relevant area you will be installing the surround. Screw into these locations for structural integrity. Note, you can drill into the fireplace cabinet using 3/4" self tapping screws.
- The included z-clips should exceed 16" slightly. Holes are predrilled to 16" to line up with the rule of 16" on center. There should be center drilled holes as well.
- Before sinking the second screw, make sure you level the clip off along the guideline.

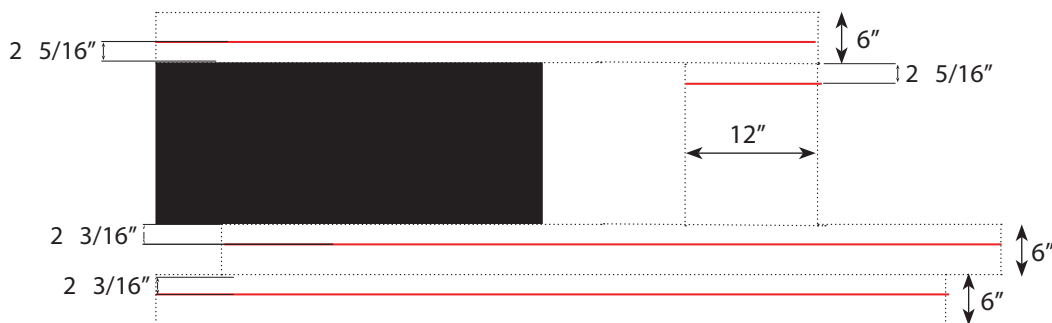
## Ideal Stud Framing Example



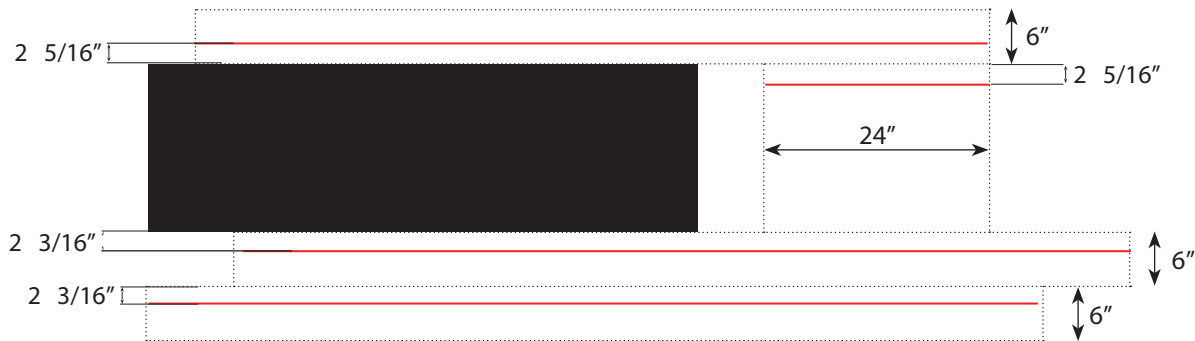
# INSTALLATION: WALL LAYOUT

Using the starting point and the edges of the fireplace, mark lines on the wall using the measurements appropriate to your model, below.

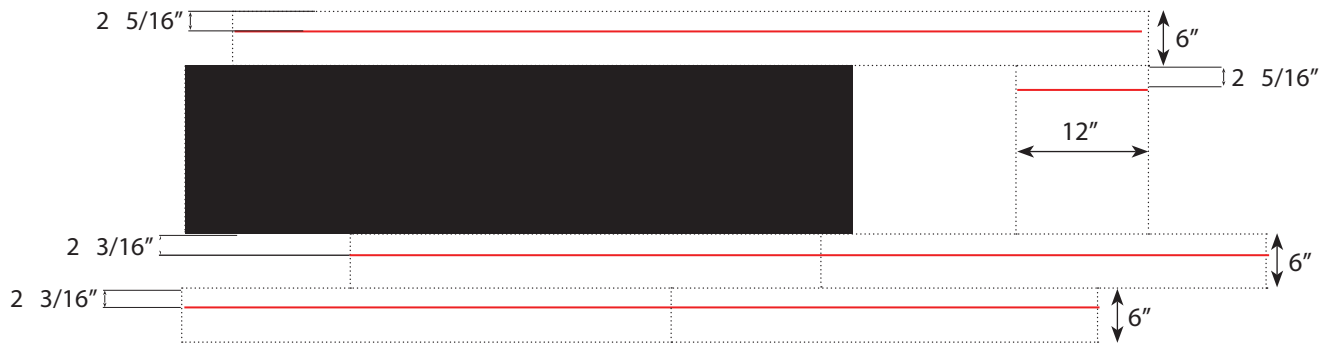
Red lines Represent guidelines for Z-clip; draw these in as guides for mounting.



**Layout Lines for the Joist 95**  
(not to scale)



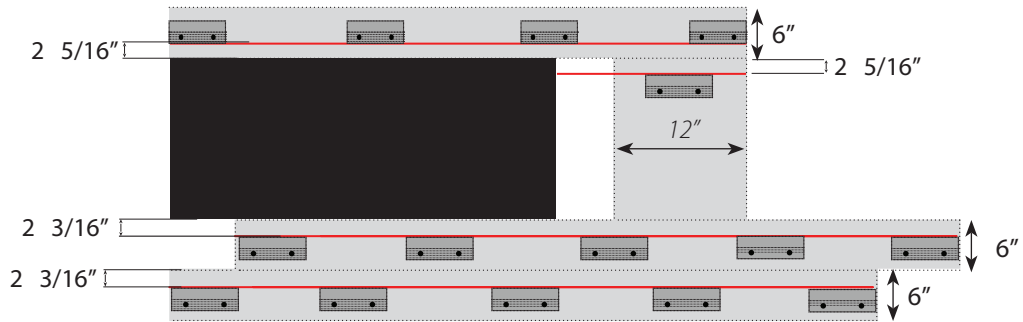
**Layout Lines for the Joist 140**  
(not to scale)



**Layout Lines for the Joist 185**  
(not to scale)

# INSTALLATION

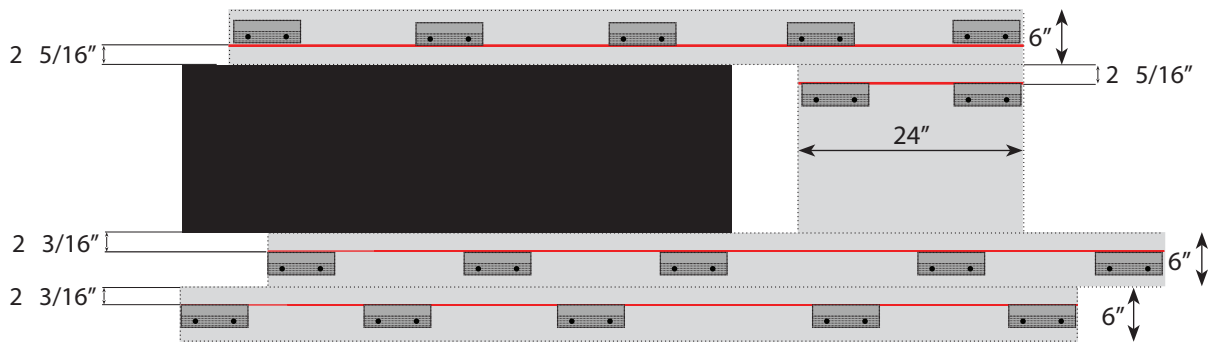
The areas in gray, below, show where the Z-clips is to be applied to the wall.



Align Z-Clips to the Red Lines

Layout Lines for the Joist 95

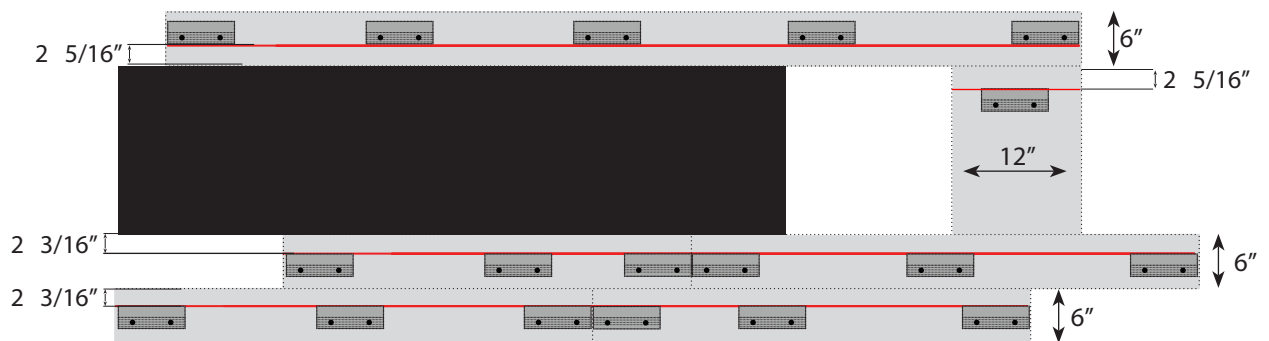
(not to scale)



Align Z-Clips to the Red Lines

Layout Lines for the Joist 140

(not to scale)



Align Z-Clips to the Red Lines

Layout Lines for the joist 185

(not to scale)

# MAINTENANCE

## **SURROUND MAINTENANCE**

### **Weekly Cleaning**

Both the metal and tile panels should be wiped with a lint free cloth to remove any dust then wiped with a damp cloth.

### **Yearly Cleaning**

Both the metal and tile panels should be wiped with a lint free cloth to remove any dust then wiped with a damp cloth.

# WARRANTY

## European Home Warranty

### Designer Surround for Element4 Modore Fireplaces

European Home warrants this product against defects in materials and workmanship for a period of TWO (2) YEARS from the date of original retail purchase.

If a defect exists, European Home will, at its option, either (1) provide needed components using new or refurbished replacement parts or (2) exchange the product with one which is new or which has been manufactured from new or serviceable used parts and is at least functionally equivalent to the original product. A replacement product/part assumes the remaining warranty of the original product or ninety (90) days from the date of replacement or repair, whichever provides longer coverage for you. When a product or part is exchanged, any replacement item becomes your property and the replaced item becomes the property of European Home. All warranty claims must be submitted through the dealer from which you purchased the product. Check with your dealer in advance for any costs to you when arranging a warranty call. Shipping and/or delivery charges for parts are not covered by this warranty.

Nothing in the above shall be deemed to imply that this warranty shall apply to work which has been abused or neglected or shows evidence of changes or modifications by others with or without permit, damages caused by the acts of God, building settlement or moving, fire or vandalism. In addition, installation of this product that varies from the requirements stated in the instruction manual will void the warranty.



EuropeanHome

**EUROPEAN HOME**

a division of Europa Ja, Inc.  
30 Log Bridge Road  
Building 300 - Suite 303  
Middleton, MA 01949  
[www.europeanhome.com](http://www.europeanhome.com)