

COOL WALL INSTALLATION GUIDE - DIRECT VENT



European Home has developed four distinct installation methods to ensure that the wall above your Element4 fireplace stays cool enough for the mounting of most electronics such as a television. In addition to mounting a TV, utilizing

Method 4: Double Front Wall (Page 4) you can now bring virtually any material down to the edge of your fireplace including wood veneer and wallpaper. None of these installation methods effect overall heat output, so you get the same efficient fireplace with the added bonus of design flexibility.

Considerations to further reduce the amount of wall heat:

For best results, consider using non-combustible wall board with very low thermal conductivity for any of the methods outlined below.

Both Skamotec 225 by Skamol and Promafour by Promat are calcium silicate building boards that strongly resist the movement of heat from one side to the other. The chase (enclosure) above the fireplace built with either of these products will further reduce your electronics' exposure to heat.

For more Information about Low-Thermal Conductivity Wall Material Please Visit these Manufacturer's Websites:

- Skamol - <http://www.skamotec225.us/>
- Promat - <https://www.promat.com/en-us/construction/united-states/promafour/>



Low thermal conductivity wall material.

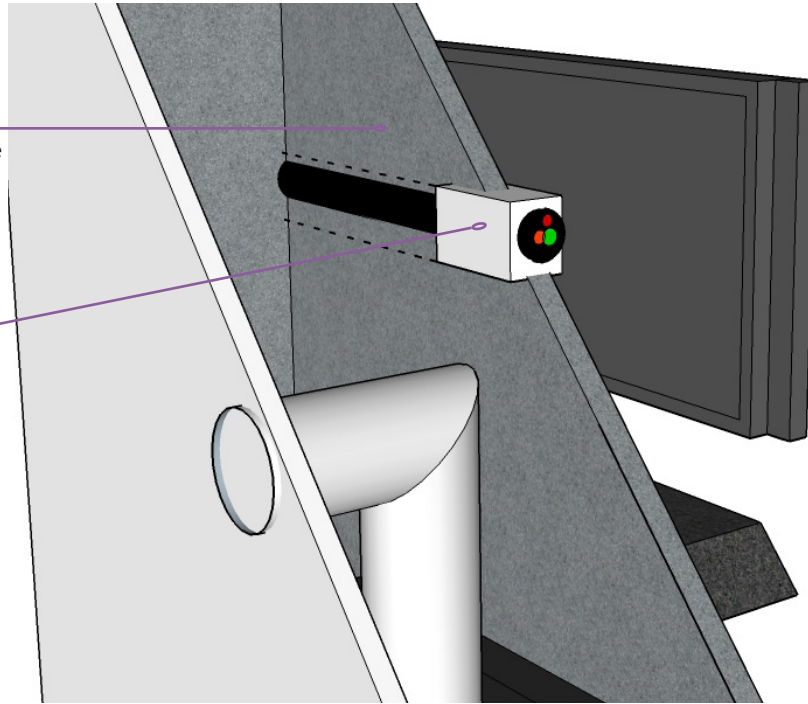
Example of **Method 2: Recessed Television**

COOL WALL INSTALLATION GUIDE - DIRECT VENT

Protecting your Electronics (applies to all installation methods)

The entire weight of the electronic device must be supported by the chase or a separate framework. No weight may be supported by the fireplace.

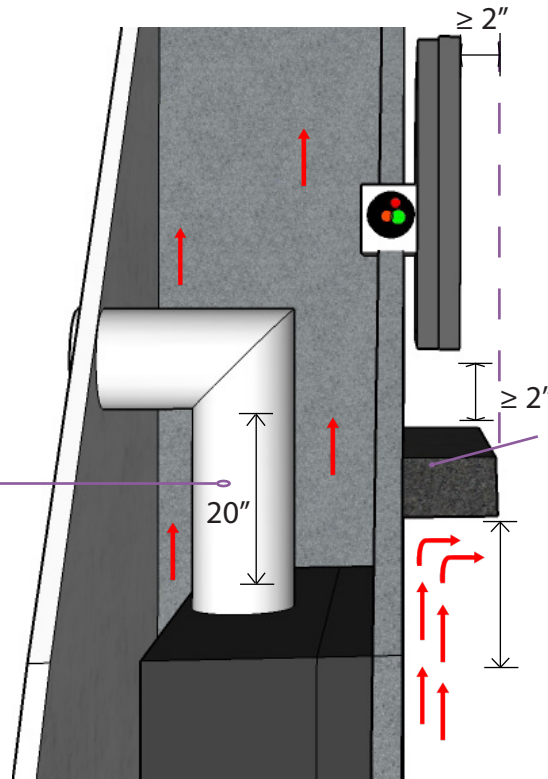
Wrap electronic wires in non-combustible insulation or hidden in false wall or box behind the electronic device when running inside the chase.



Rear View

Method 1: Deep Mantel Without Recess

Element4 requires a minimum 20" vertical vent before any offset of the vent pipe.



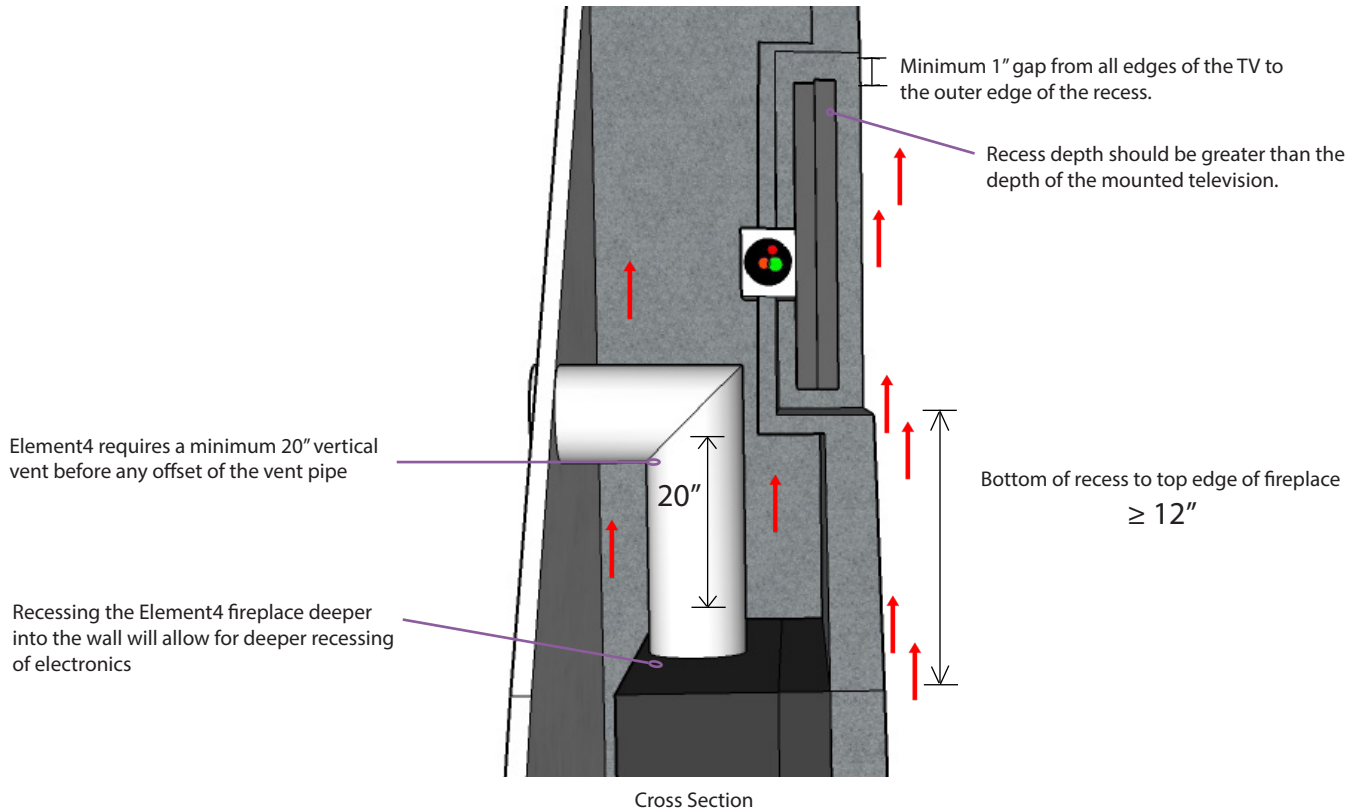
A non-combustible mantel (minimum 1" thick) is mounted to deflect the hot air rising up the wall face.

Bottom of mantel to top edge of fireplace $\geq 6"$

Cross Section

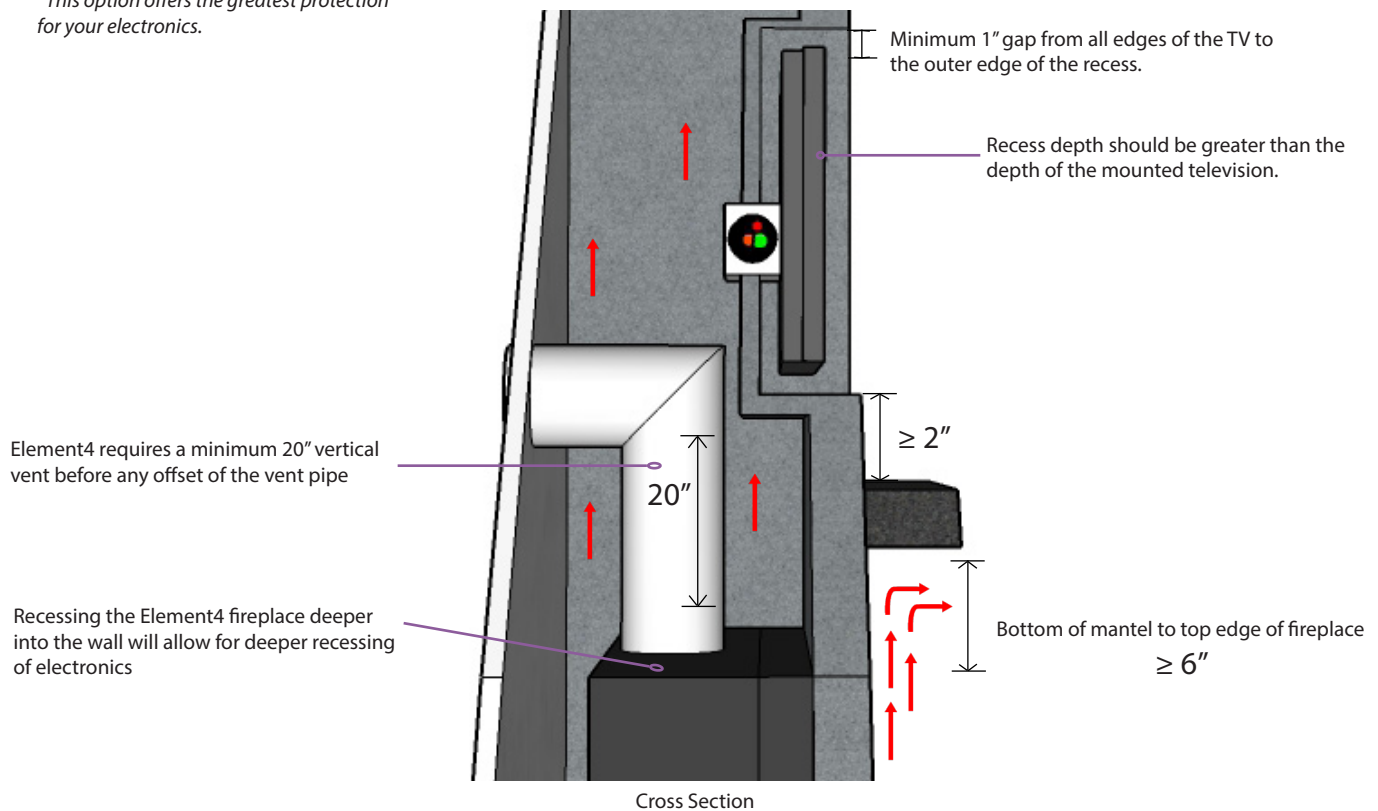
COOL WALL INSTALLATION GUIDE - DIRECT VENT

Method 2: Recessed TV



Method 3: Recessed TV + Mantel*

**This option offers the greatest protection for your electronics.*



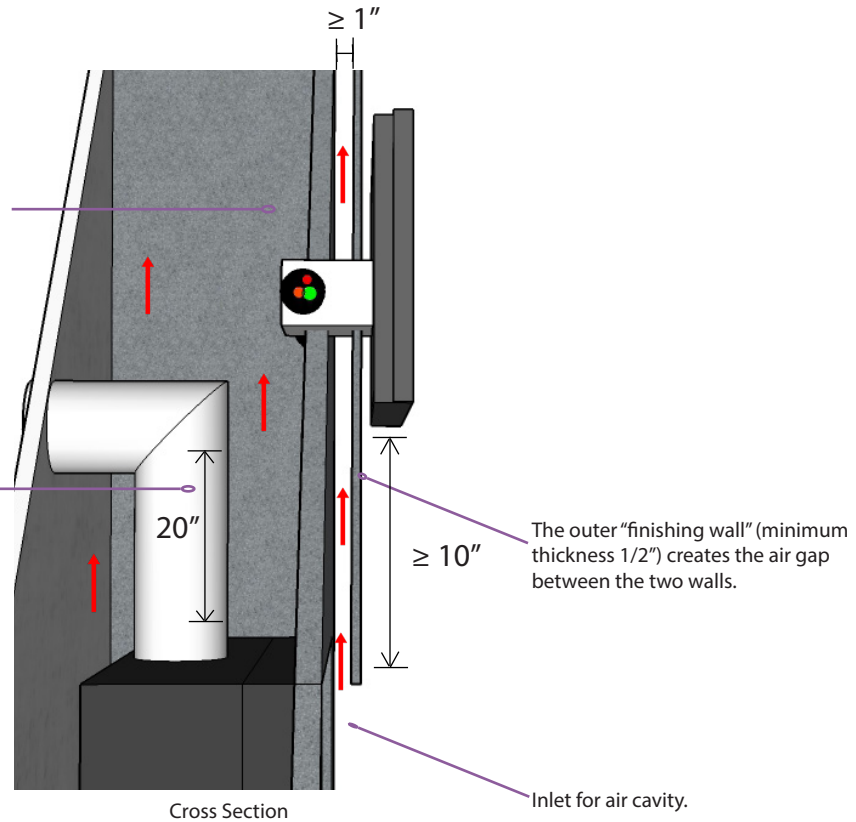
COOL WALL INSTALLATION GUIDE - DIRECT VENT

Method 4: Double Front Wall

**Use this method if you would like to bring combustible finishing (such as wood veneer or wallpaper) to the edge of the fireplace face.*

The inner wall should have a minimum depth of 1".

Element4 requires a minimum 20" vertical vent before any offset of the vent pipe.



30 Log Bridge Road
Building 300 - Suite 303
Middleton, Ma 01949
www.EuropeanHome.com

**Call our Technical Team if you have any Questions:
781-324-8383 x. 502**

Please Note: Some electronics manufacturers specify that their products should not be installed on, near or above a heat source. Consult your manufacturer's specifications.

Mounting an electronic device is ultimately the owner's decision and responsibility. European Home will not be held liable for any adverse effects of heat on electronic devices located near a European Home fireplace.