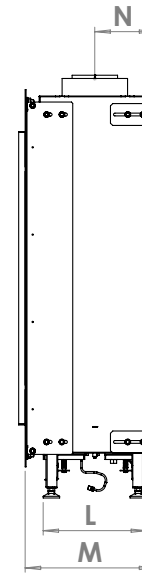
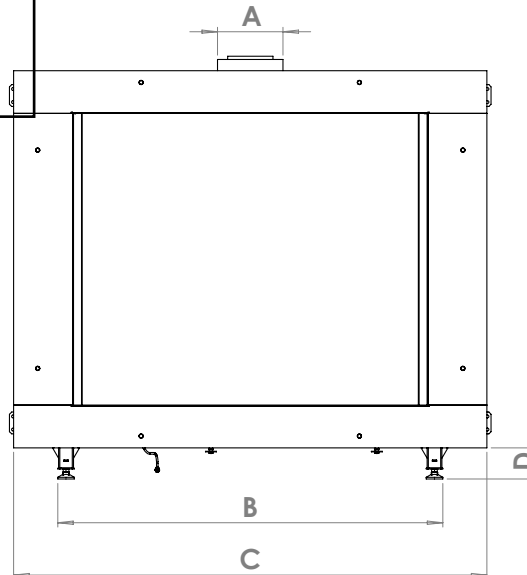
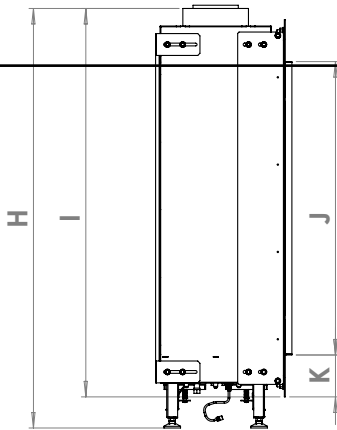
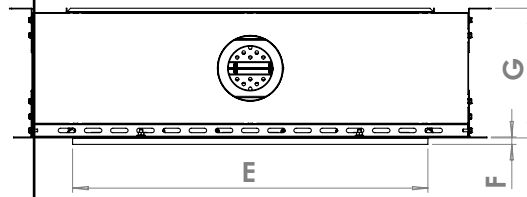
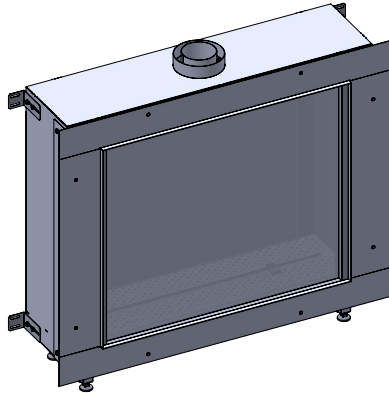


manufactured by
Element4 B.V.

Optica Planning Dimensions
08/2017

distributed by
EuropeanHome



| Letter | Inches | Millimeters |
|--------|----------|-------------|
| A | 5 7/8 | 149 |
| B | 34 11/16 | 881 |
| C | 42 11/16 | 1084 |
| D | 2 13/16 | 71 |
| E | 32 1/16 | 814 |
| F | 1 1/16 | 17 |
| G | 11 1/16 | 297 |
| H | 37 13/16 | 960 |
| I | 35 | 889 |
| J | 26 7/16 | 672 |
| K | 3 3/4 | 95 |
| L | 9 5/16 | 237 |
| M | 11 1/16 | 297 |
| N | 5 7/16 | 138 |

This information is for reference only. Please consult the Installation Manual for all details prior to making any design decisions.
Conversions from millimeters are rounded to the nearest fraction. This DWG file is available at www.europeanhome.com

PDE40-170807