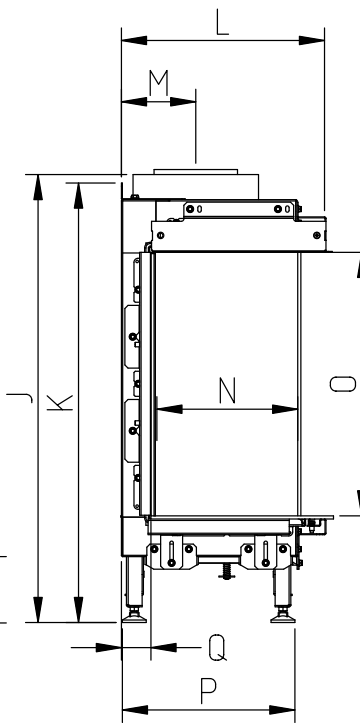
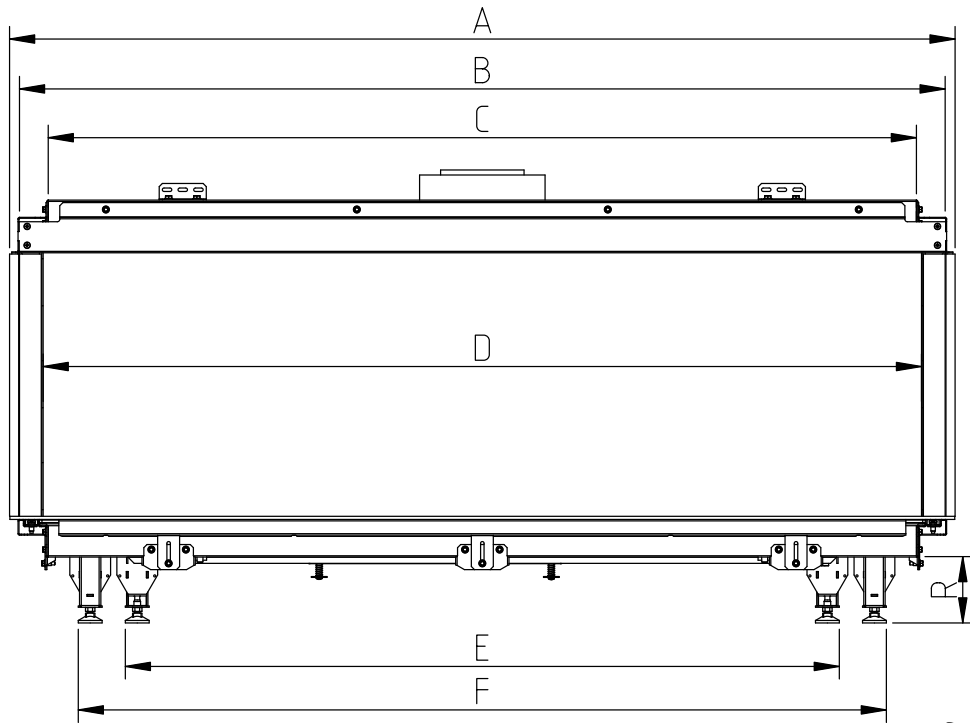
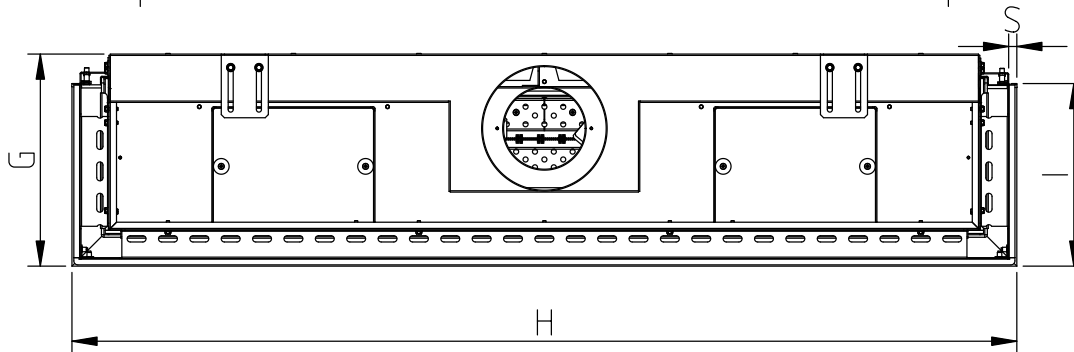


Front Elevation



Right Elevation



Plan View

Letter	Inches	Millimeters
A	59 ³ / ₈	1507
B	58 ³ / ₈	1475
C	54 ¹ / ₂	1383
D	55 ¹ / ₈	1400
E	44 ¹³ / ₁₆	1138
F	50 ³ / ₄	1288
G	13 ⁵ / ₁₆	338
H	59 ⁵ / ₁₆	1506
I	11 ¹ / ₂	291
J	28 ³ / ₈	714
K	27 ³ / ₈	700
L	12 ³ / ₄	324
M	4 ¹ / ₁₆	118
N	8 ¹³ / ₁₆	224
O	16 ⁹ / ₁₆	420
P	10 ⁷ / ₈	275
Q	1 ¹³ / ₁₆	47
R	4 ¹³ / ₁₆	105
S	1/2	13

This information is for reference only. Please consult the Installation Manual for all details prior to making any design decisions.
Conversions from millimeters are rounded to the nearest fraction.