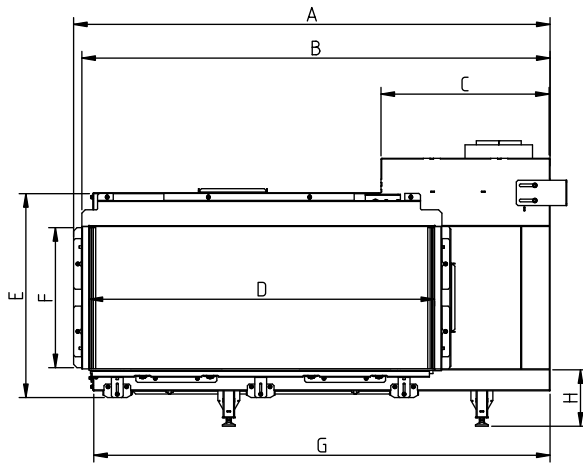
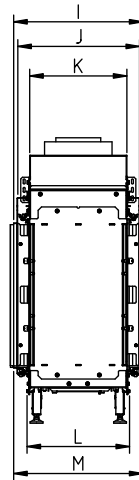


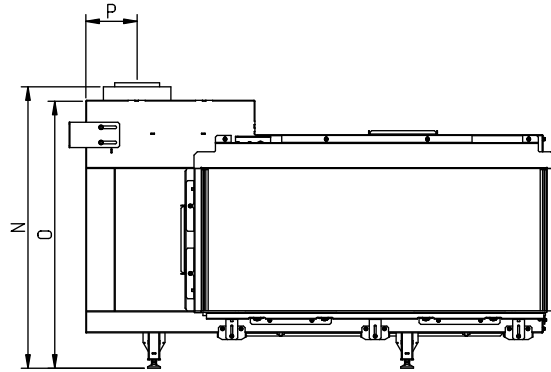
**Front Elevation**



**Left Elevation**

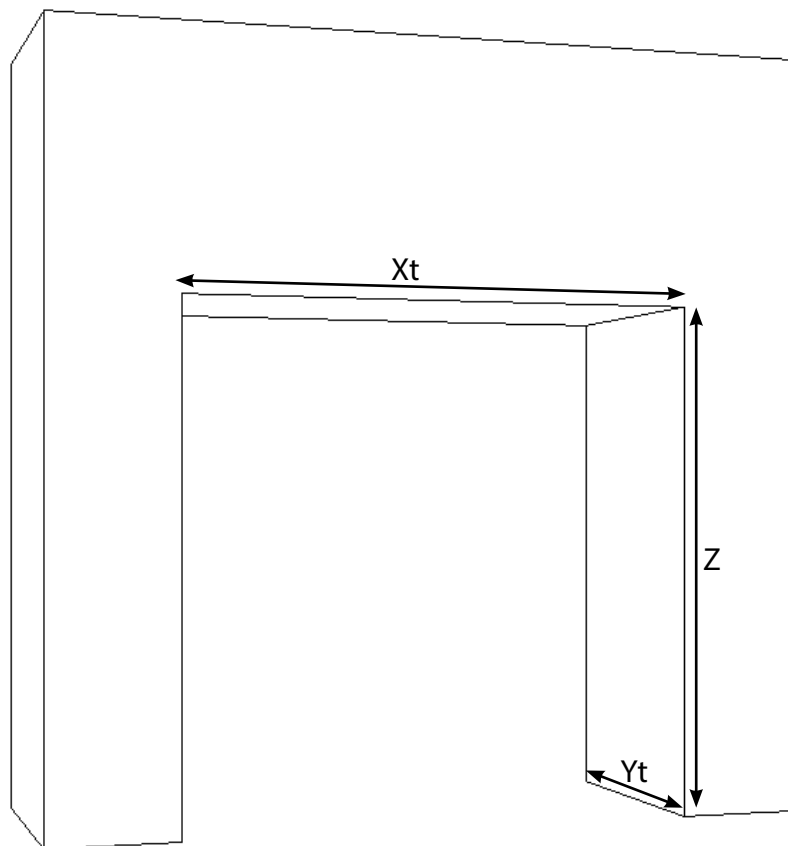


**Plan View**



**Right Elevation**

Letter	Inches	Millimeters
A	55 <sup>5</sup> / <sub>8</sub>	1412
B	54 <sup>11</sup> / <sub>16</sub>	1388
C	19 <sup>3</sup> / <sub>4</sub>	501
D	40	1015
E	23 <sup>15</sup> / <sub>16</sub>	607
F	16 <sup>13</sup> / <sub>16</sub>	427
G	53 <sup>5</sup> / <sub>16</sub>	1353
H	6 <sup>1</sup> / <sub>2</sub>	164
I	15 <sup>5</sup> / <sub>8</sub>	383
J	14 <sup>5</sup> / <sub>16</sub>	363
K	11 <sup>5</sup> / <sub>16</sub>	288
L	11 <sup>15</sup> / <sub>16</sub>	302
M	15 <sup>5</sup> / <sub>8</sub>	383
N	32 <sup>13</sup> / <sub>16</sub>	834
O	31 <sup>5</sup> / <sub>16</sub>	794
P	6	152



<b>Rough Opening Dimensions for <i>NON-COMBUSTIBLE</i> Framing</b>			
Model	Xt	Yt	Z
<b>Tenore 100</b>	59½" (1512 mm)	14½" (364 mm)	35" (890)

This information is for reference only. Please consult the Installation Manual for all details prior to making any design decisions.  
Conversions from millimeters are rounded to the nearest fraction.