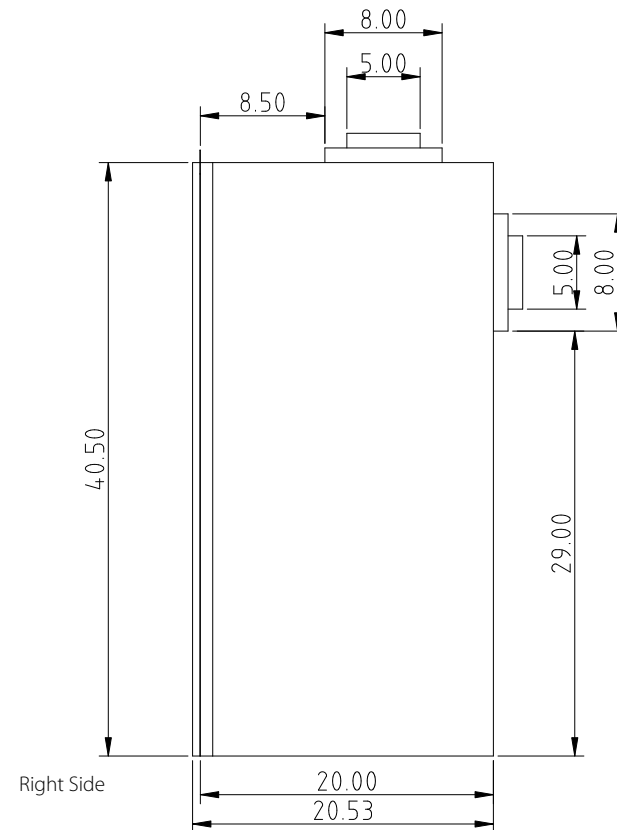
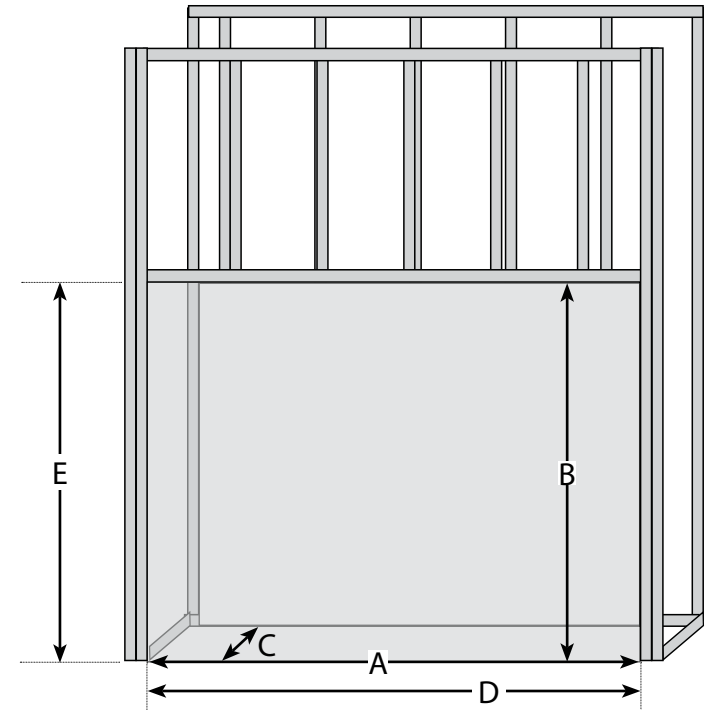
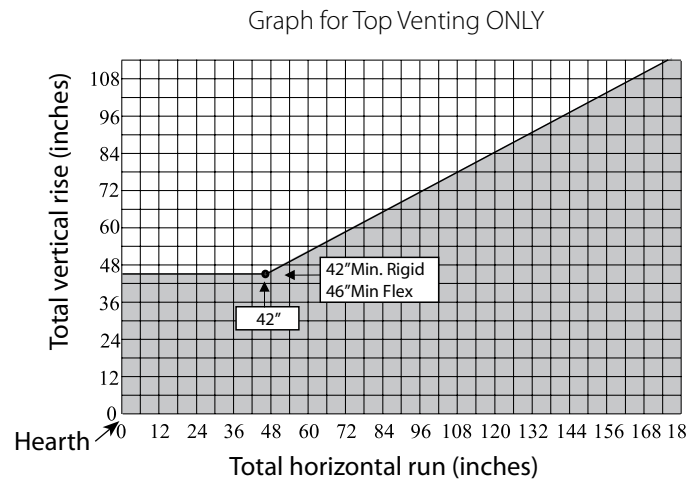


all dimensions in inches, not to scale



- May be vented through the top (default) or rear of the cabinet.
- The minimum vent run uses a 18" run to a wall termination.
- Top-vented rise and run must intersect in a white graph square, below. See Installation Manual for other venting configurations.
- A power venting option is available for "off-the-chart" applications.



A	Rough Opening Width	42"
B	Rough Opening Height	46 1/2"
C	Rough Opening Depth*	21 5/8"
D	Non-combustible Zone Width	38"
E	Non-combustible Zone Height	42 1/2"

all dimensions in inches, -0.0

* When bringing non-combustible wall board to the fireplace opening the framing depth is increased by 1/2". See Planning Guide for overlay finishing.