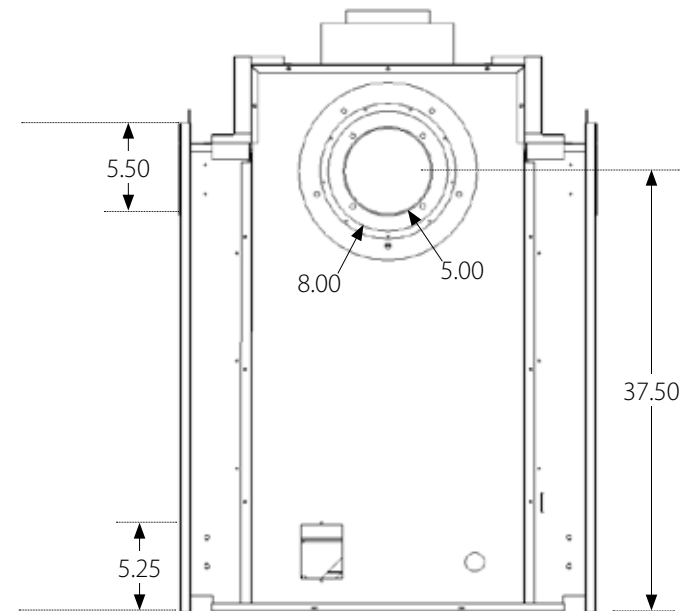
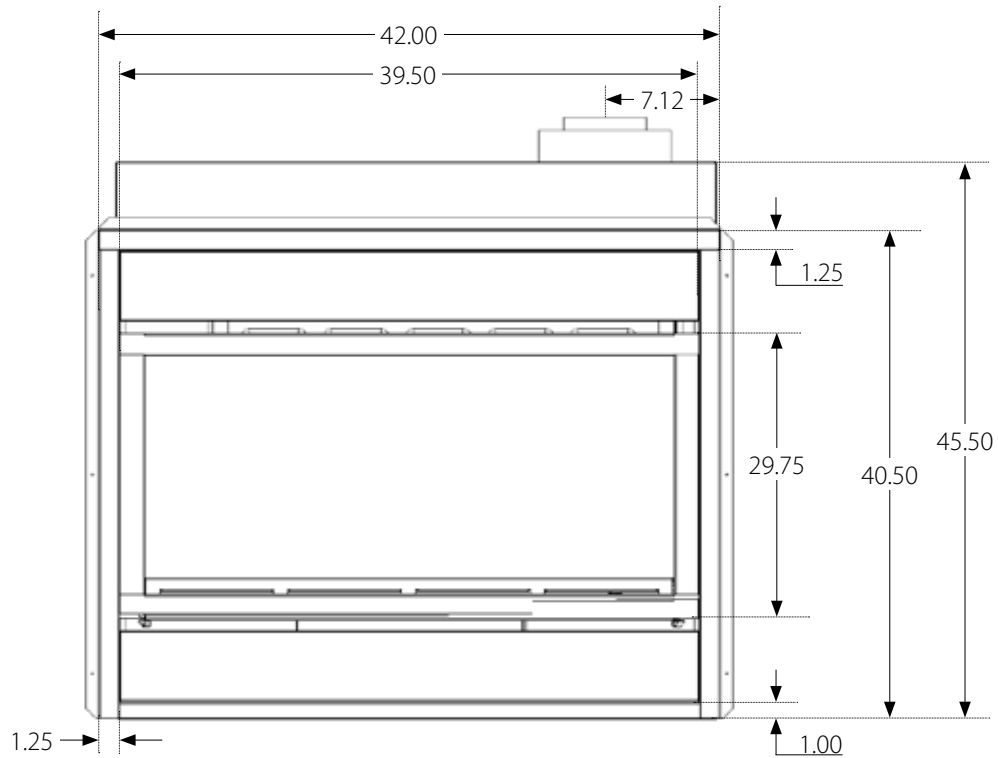
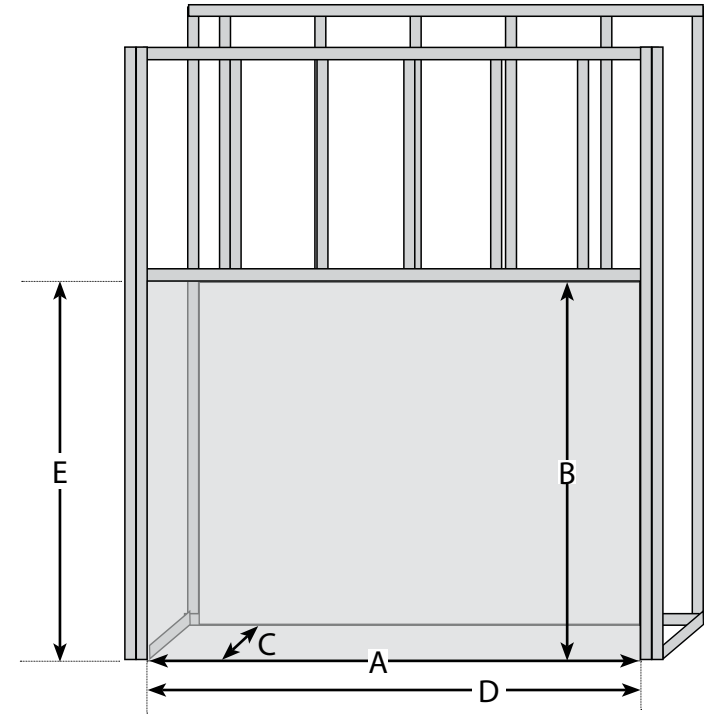
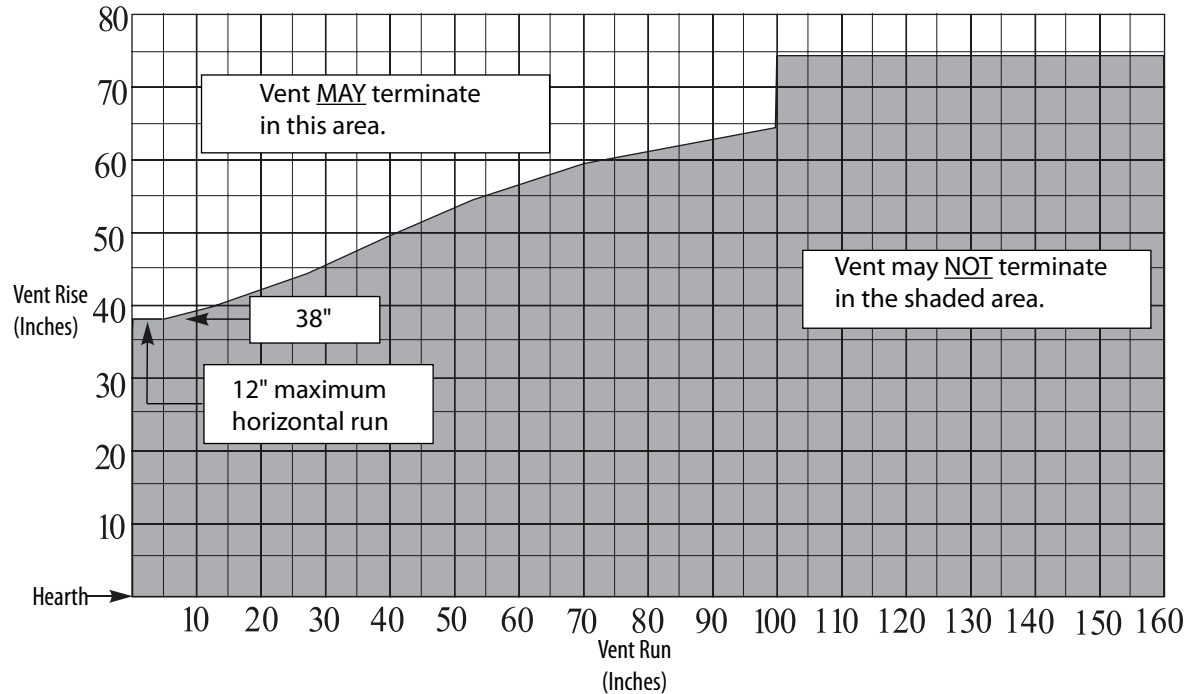


all dimensions in inches, not to scale



- May be vented through the top (default) or side of the cabinet.
- The minimum vent run uses a 12" run to a wall termination.
- Vent rise and run must intersect in a white graph square, below.
- A power venting option is available for "off-the-chart" applications.



A	Rough Opening Width	45"
B	Rough Opening Height	49½"
C	Rough Opening Depth*	23⅞" or 24⅞"
D	Non-combustible Zone Width	42"
E	Non-combustible Zone Height	49½"

all dimensions in inches, -0.0

* When bringing non-combustible wall board to the fire-place opening the framing depth is increased by 1". See Planning Guide for overlay finishing.