



Installation, Operation and Maintenance Manual



Vista 42 ST See-Through Direct Vent Gas Fireplace

Warning:

Improper installation, adjustment, alteration, service or maintenance can cause injury or property damage. Refer to this manual. For assistance or additional information consult a qualified installer, service agency or the gas supplier.

Safety Notice:

Glass doors on gas fireplaces are extremely hot while the fireplace is on and remain hot even after the fireplace has been turned off. Safety screens are available and can reduce the risks of severe burns. Please keep children away from the fireplace at all times.

For Your Safety:


Do not store or use gasoline or other flammable vapors and liquids in the vicinity of this or any other appliance.

Warning: **What to do if you smell gas**

- *Do not try to light any appliance.*
- *Do not touch any electrical switch; do not use any phone in your building.*
- *Immediately call your gas supplier from a neighbor's phone. Follow the gas supplier's instructions.*
- *If you cannot reach your gas supplier, call the fire department.*



- *Installer: Leave this manual with the appliance.*
- *Consumer: Leave this manual for future reference.*



Warning:
 Read this manual before installing, operating or troubleshooting this appliance.
 Please retain this owner's manual for future reference.

Congratulations

Congratulations on selecting a European Home gas fireplace. The Vista 42 ST Gas Fireplace you have selected is designed to provide the utmost in safety and reliability.

As the owner of this new fireplace, you'll want to read and carefully follow all the instructions contained in this Installation, Operations and Maintenance manual. Pay special attention to all cautions, warnings, and Important warnings.

This owner's manual should be retained for future reference. We suggest that you keep it with all your other important documents and product manuals.

The information contained in this owner's manual, unless noted otherwise, applies to all models, and gas control systems.

Your new European Home gas fireplace will give you years of durable, reliable use. Welcome to the European Home family of gas fireplace products.



Safety Alert Key:

- **DANGER!** Indicates a hazardous situation which, if not avoided will result in death or serious injury.
- **WARNING!** Indicates a hazardous situation which, if not avoided could result in death or serious injury.
- **CAUTION!** Indicates a hazardous situation which, if not avoided, could result in minor or moderate injury.
- **NOTICE:** Used to address practices not related to personal injury.
- **Important:** Used to address practices not related to personal injury.

Table Of Contents

<p>Congratulations</p> <p>Safety Alert Key</p> <p>Introduction 3</p> <p>Installation</p> <p style="padding-left: 20px;">Installing and Framing the Fireplace 4</p> <p style="padding-left: 20px;">Installing the Gas Line 5</p> <p style="padding-left: 20px;">Vent Installation 5</p> <p style="padding-left: 40px;">Installation Requirements..... 5</p> <p style="padding-left: 20px;">Installing the Remote Switch 5</p> <p style="padding-left: 40px;">Vent Terminations 6</p> <p style="padding-left: 20px;">Installing the Nailing flange 6</p> <p style="padding-left: 20px;">Top Vent Runs 7 - 19</p> <p style="padding-left: 20px;">Side Vent Runs 8 - 10</p> <p style="padding-left: 20px;">Finishing around the fireplace</p> <p style="padding-left: 40px;">Fireplace Facing 11</p> <p style="padding-left: 40px;">Mantels and Surrounds 11</p> <p style="padding-left: 20px;">Wiring 12</p> <p style="padding-left: 20px;">Removing and Installing the Door 13</p>	<p>Installing the Fire Media 14</p> <p>Operation 15 - 16</p> <p>Maintenance 16 - 18</p> <p style="padding-left: 20px;">Spare Parts 18</p> <p style="padding-left: 20px;">Troubleshooting 18</p> <p>Warranty 19</p> <p>Appendix</p> <p style="padding-left: 20px;">A. Termination Locations 20</p> <p style="padding-left: 20px;">B State of Massachusetts Amendment..... 21</p>
--	---


Introduction

About this Fireplace

The **Vista 42 ST** is a gas fireplace with a linear burner, available in black painted, or brushed stainless, steel. It uses an electronic ignition system.

The **Vista 42 ST** is rated for 37,000 (maximum) BTU/Hr. (11.37) kilowatts input in natural gas (NG), and 29,000 (maximum) BTU/Hr. (9.03) kilowatts input in liquid propane (LP).

This manual covers installation, operation and maintenance. Lighting, operation and care of this fireplace can be easily performed by the homeowner. However, all installation and service work should be performed by a qualified or licensed installer, plumber, or gas fitter who is qualified or licensed by the state, province, region, or governing body in which the appliance is being installed.

This manual covers all models and unless otherwise specified, the designation **Vista 42 ST** refers to all variations of the model above. Sections which are specific to a particular variation are marked with a  symbol, plus the appropriate model number.

Warranty and Installation Information:

The European Home warranty will be voided by, and European Home disclaims any responsibility for, the following actions:

- Modification of the fireplace and/or components including Direct-Vent assembly or glass doors.
- Use of any component part not manufactured or approved by European Home in combination with this European Home fireplace system.
- Installation other than as instructed in this manual.

Consult your local Gas Inspection Branch on installation requirements for factory-built gas fireplaces. Installation and repairs should be done by a qualified contractor.

Installations in Canada must conform to the current **CAN/CGA B-149.1** and **.2** Gas Installation Code and local regulations. If the optional air-circulating fan kit is installed, it must be electrically grounded in accordance with **CSA C22.1** Canadian Electrical Code Part 1 and/or Local Codes.

Installations in the USA must conform to local codes, or in the absence of local codes to the National Fuel Gas Code, **ANSI Z223.1-1988**. If the optional air-circulating fan is installed, it must be grounded in accordance with local codes or, in the absence of local codes, with the National Electrical Code, **ANSI/NFPA 70-1987**. See Appendix for installation within the **State of Massachusetts**. This fireplace must comply with **NFPA-54 Chapter 10**.

What is Combustible?

Materials that can catch fire and burn are considered combustible. Any material that is made of, or faced with, wood, wood pulp, paper, plastic or any other material that can catch fire and burn is considered combustible. Even though these materials may have been 'flame-proofed', made 'fire-resistant' or are 'fire-rated' they are considered combustible.

The combustibility of a material can be tested per "ASTM E136 Standard Test Method for Behavior of Materials in a Vertical Tube Furnace at 750 Degrees C". Note that 'fire-resistant' does NOT mean non-combustible.

Note: If a certain material has a core considered to be non-combustible (in accordance with ASTM E136) but is faced with a combustible material then the material is considered to be combustible.

When in doubt, ask for an ASTM E136 compliance statement.

What is Non-combustible?

A given material is said to be non-combustible when it cannot catch fire and burn. For example, materials made entirely, or in combinations, of, stone, brick, concrete, tile, steel, plaster or glass are considered non-combustible.

For the purposes of the installations described in this Manual, those materials that have passed the ASTM E136 tests are considered to be non-combustible.

As of this writing, the materials listed below are reported by their manufacturers to be non-combustible (in accordance with ASTM E136):

- James Hardie Building Products, Inc.:
HardieBacker™ ¼" Cement Board
- U.S. Architectural Products, Inc.:
Versaroc® Cement Bonded Particle Board
Cem-Clad® Cement Panel



CAUTION!

Due to its high operating temperatures, the appliance should be located out of traffic and away from furniture and draperies.

- Children and adults should be alerted to the hazards of the high surface temperature, which could cause burns or clothing ignition.
- Young children should be carefully supervised when they are in the same room as the appliance.
- Clothing or other flammable materials should not be placed on or near the appliance.



WARNING!

When this appliance is installed directly on carpeting, tile or any combustible material other than wood flooring, it must be installed on a metal or wood panel extending the full width and depth of the appliance.

Installation



Installing The Fireplace Shell

The fireplace may be installed in any location that maintains proper clearances to air conditioning ducts, electrical wiring and plumbing. Safety, as well as efficiency of operation, must be considered when selecting the fireplace location. Try to select a location that does not interfere with room traffic, has adequate ventilation, and offers an accessible pathway for Direct Vent installation. See the *Vent Installation* section on page 5 for more information.

The fireplace dimensions for Vista 42 ST models are shown below:

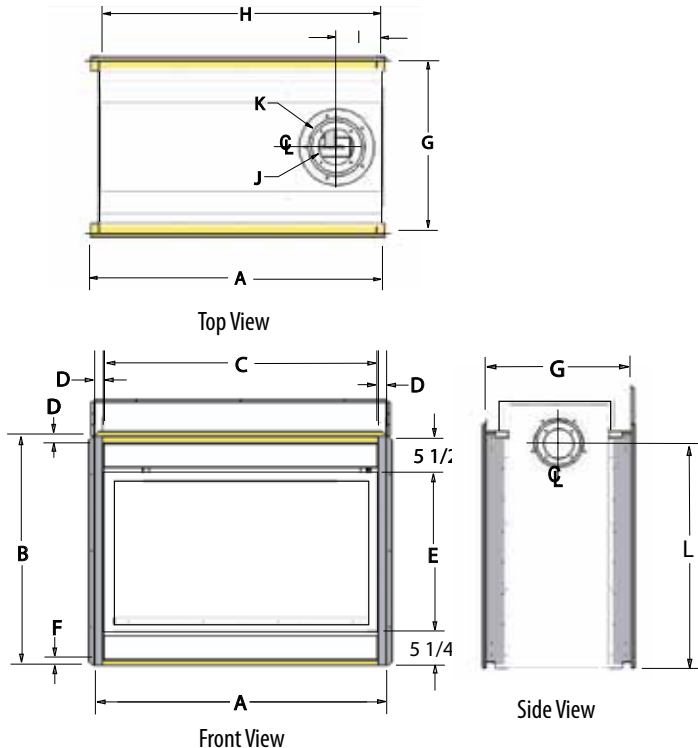


Figure 1. Fireplace dimensions.

A	B	C	D	E	F	G	H	I	J	K	L
42	40½	39½	1¼	29¾	1	23⅞	40½	7⅞	5	8	37½

Clearances

The Vista 42 ST Series See-thru clearance to combustible materials are:

Top (top vent)*	19"
Top (rear vent)*	19"
Front	2"
Sides	1"
Floor	0"
Mantel**	6"

* Clearance from the top of the fireplace to a combustible ceiling within the fireplace enclosure.

** Refer to page 9.

(Minimum 1" clearance must still be maintained around the vent pipes, except on horizontal venting sections where the top of the pipe must have a clearance of 2")



WARNING!

When this appliance is installed directly on carpeting, tile or any combustible material other than wood flooring, it must be installed on a metal or wood panel extending the full width and depth of the appliance.

For protection against freezing temperatures, it is recommended that outer walls of the chase be insulated with a vapour barrier. This will reduce the possibility of a cold-air convection current on the fireplace.

Framing

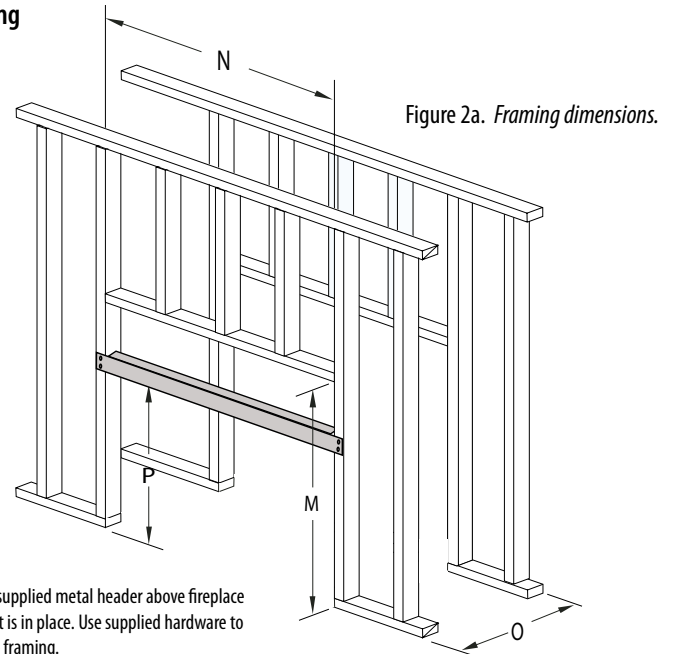


Figure 2a. Framing dimensions.

Notes:

- Install supplied metal header above fireplace after unit is in place. Use supplied hardware to fasten to framing.
- Both sides typical. Unit may not be exactly as shown.
- When facing with the Overlay Method the depth is increased by 1". See Planning Guide for more information.

M	N	O	P
49½	45	23⅞ or 23⅞	46½

Frame the fireplace cavity according to Figure 2a.

- Slide the fireplace into the cavity.
- Tack four studs (vertical, "broken line") in place, shown in Fig 2b.
- Secure the fireplace in position by nailing into these cleats.

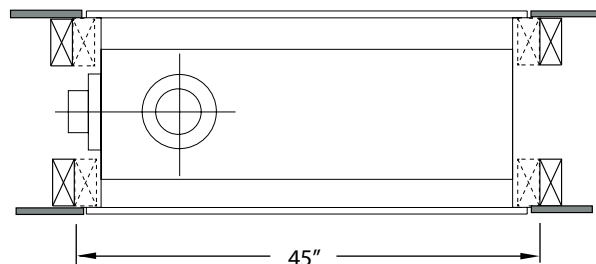


Figure 2b. Securing the fireplace to the framing cleats.



Installation

Installing The Gas Line

The gas line must be installed before finishing the Vista 42 ST fireplace. **Natural Gas** requires a minimum inlet gas supply pressure of 5.5" w.c. and a manifold pressure of 3.5" w.c. **Propane Gas** requires a minimum inlet gas supply pressure of 11" w.c. and a manifold pressure of 10" w.c. Provision must also be made for a 1/8" N.P.T. plugged tapping and be accessible for test gauge connection immediately upstream of the gas supply controls to the appliance. The fireplace gas connection and the main operating gas valve is located behind the removable trim at the bottom of the unit and need only be attached to the gas line with an approved fitting, as required by the applicable installation codes.

To access the fireplace gas connection the main burner must be removed as shown below in Figure 5b.

- Only use gas shut-off valves approved for use by the state, province, region, or governing body, in which the appliance is being installed, or as required by the applicable installation codes.

- Flexible gas connectors must not exceed 3 feet in length, unless it is allowable within applicable installation codes.

The appliance and its individual shut-off valve must be disconnected from the gas

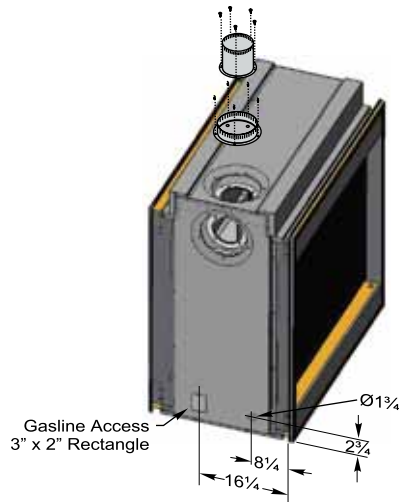


Figure 3. Gas line access.

supply piping system during any pressure testing of that system at test pressures in excess of 1/2 psig (3.5 kPa).

The appliance must be isolated from the gas supply piping system by closing its individual manual shut-off valve during any pressure testing of the gas supply piping system at test pressures equal to or less than 1/2 psig (3.5 kPa).

Note: After gas line is connected, each appliance connection, valve and valve train must be checked while under normal operating pressure with either a liquid solution, or leak detection device, to locate any source of leak. Tighten any areas where bubbling appears or leak is detected until bubbling stops completely or leak is no longer detected. **DO NOT use a flame of any kind to test for leaks.**

Vent Installation

This section covers the installation of direct venting and terminations.

Installation Requirements

- Vista 42 ST Series fireplaces are certified for use with European Home Standard Series (5" / 8") venting components.
- Minimum clearance to combustible construction around the vent pipe is 1" on all sides, except on horizontal venting where the top of the pipe must have a clearance of at least 2".
- Use only certified European Home vent components. (Use of other parts will void the European Home warranty, and may impede the operation of the fireplace.)
- All joints must be secured with a minimum of two screws per joint
- Vent terminations must not be recessed in walls or siding
- Horizontal runs must be supported by a minimum of two supports per horizontal run. A minimum of one screw on each side of support is also required
- Flex vent sections may be stretched up to 50% of their total length (e.g. a 24" section may be stretched to 36")
- Venting components can be used in any combination of solid/rigid
- Solid vent sections may be cut less than half way from the tapered end
- Venting components can be used in any combination of solid/rigid pipe or flex pipe and in any orientation (Male connectors can face in any direction).



Cautions:

- Vent terminations can be very hot. If the termination is less than 7 feet above a public walkway, it should be fitted with a certified European Home Heat Guard. (part no. PTKOG).
- Do not obstruct, or attempt to conceal the vent termination. These actions will affect the operation of the fireplace, and may be hazardous.
- In heavy snow areas, take extra care to prevent snow buildup from obstructing the vent termination.
- Use European Home Vinyl Heat Shield (part no. VSS) when using on applications with vinyl siding to guard against possible damage.

Installing The Remote Switch

The Vista 42 ST are equipped with a remote-operated valve for use with a wall switch. See Figure 21 for information on wiring the switch. The valve is pre-wired and generates its own power. **DO NOT connect any external power to it.**

Note: The switch location must not exceed 30' from the fireplace.

Installation



Installing Terminations with Built-In Frames

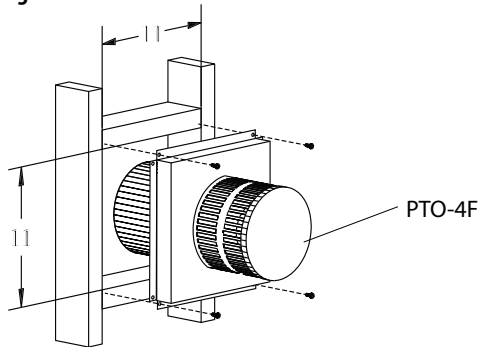


Figure 4a. Installing a PTO termination.

1. Frame the termination opening to 11" x 11".
2. Fasten the termination to the studs using a minimum of 4 screws.

Installing Terminations with MSR Frames

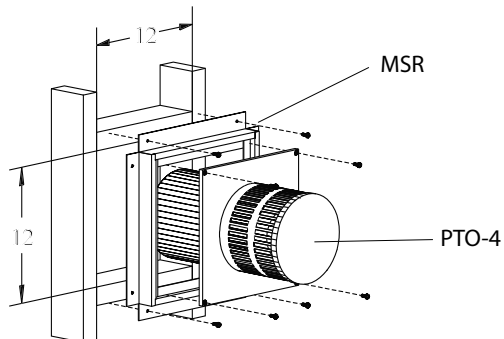


Figure 4b. Installing a PTO termination with the MSR frame.

1. Frame the termination opening to 12" x 12".
2. Fasten the termination to the studs using a minimum of 4 screws.

Installing Terminations with MOSR Frames

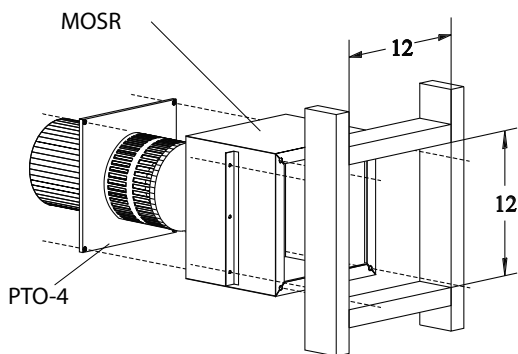


Figure 4c. Installing a PTO termination with the MOSR frame.

1. Frame the termination opening to 12" x 12".
2. Fasten the MOSR frame to the interior side of the studs using a minimum of 4 screws.
3. Insert the termination into the MOSR frame as shown here, and attach by screwing through the four pilot holes in the termination.

Installing Heat Guards over Terminations

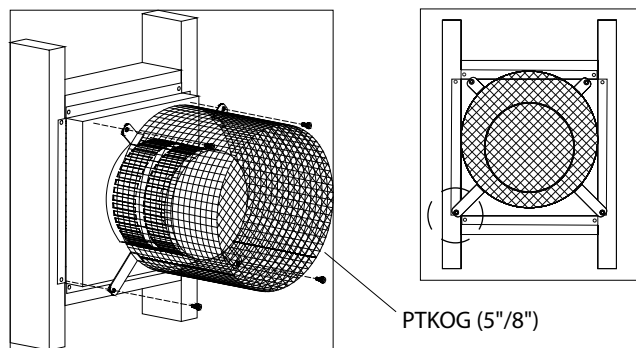


Figure 4d. Installing a PTO termination heat guard.

1. Ensure that the two *long* mounting brackets are facing the bottom of the termination. (See inset). This will provide more heat protection at the top of the termination, where temperatures are highest.
2. Attach to the faceplate of the termination using four sheet metal screws.

Installing Heat Shield for Vinyl Siding

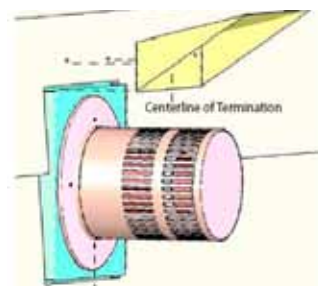


Figure 5. Installing the VSS Vinyl Shield heat guard.

Installing The Standoffs

To avoid elevated mantel temperatures, all Vista 42 ST Series gas fireplaces are required to have the supplied standoffs installed. The fireplace is supplied with two standoffs. Bend and install these standoffs on top of the fireplace ensuring that the height of the standoff maintains a 6" clearance.

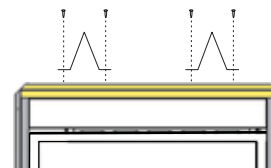


Figure 6. Installing the standoffs.



Installation

Installing the Nailing Flange Extension

Once the fireplace is placed into the framed opening, the supplied nailing extension must be placed along the top edge of the fireplace, and nailed in place to the framing, as illustrated below. Fasten the steel lintel in place, see Figure 2. The supplied nailing extension must be placed along the top edge of the fireplace and securely fastened in place to the metal lintel and combustible wood framing.

Note: The nailing flange extension can be substituted with a piece of **NON-combustible** material of the same size and thermal characteristics, i.e.: cement board or equivalent.

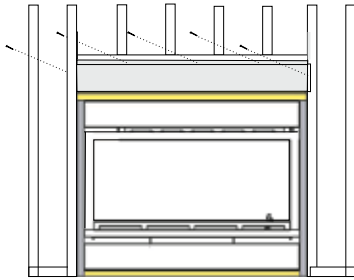


Figure 6c. Installing the Nailing Flange Extension.

Top Vent Venting Requirements

Before you install any venting, you must determine whether the venting run will be acceptable. Unacceptable venting can affect the fireplace's combustion.

- for installations with horizontal venting runs of 0-16 feet, use the vent graph, as described below
- the maximum horizontal vent run is 16 feet.

The Rear Vent Venting Graph

Measure the vertical height from the fireplace hearth to the center of the termination and the horizontal run from the fireplace flue collar to the wall flange of the termination. Plot on the Venting Graph (Figure 12) with an 'X'.

If the 'X' falls on or above the top boundary of the shaded area, the installation is acceptable.

Example A: (Acceptable Installation)

If the vertical dimension from the hearth is 72" and the horizontal run to the wall flange of the vent termination is 120" the installation is acceptable.

Example B: (Acceptable Installation)

If the vertical dimension from the hearth is 66" and the horizontal run to the wall flange of the vent termination is 30" the installation is acceptable.

Example C: (Unacceptable Installation)

If the vertical dimension from the floor of the fireplace is 48" and the horizontal run to the wall flange of the vent termination is 84" **the installation is NOT acceptable.**

Installation

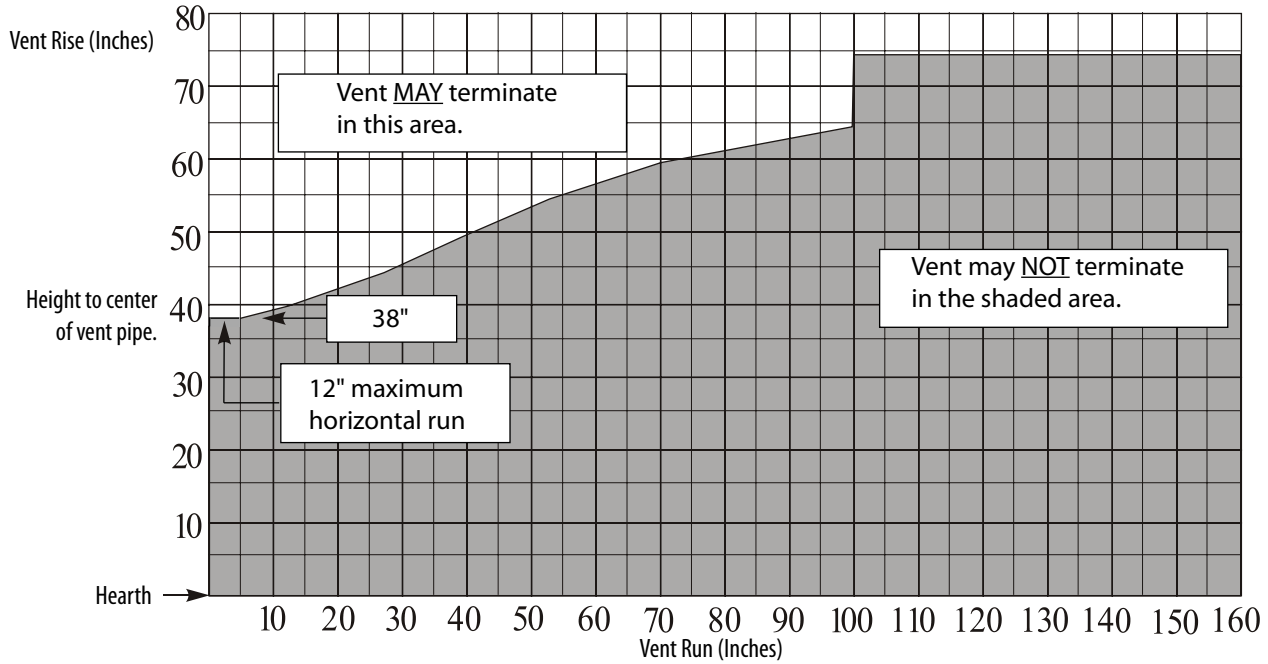


Figure 12. Rear Vent Venting Graph.

Installation Of Top Vent

A complete Vista 42 ST vent system may comprise up to five different types of components:

A - Termination	PTO-4 (3" length) PTO-4F (3" length)
B - Stucco Kits	MSR (stucco frame) MOSR (stucco can)
C - Flex sections	PFL-1 (12" section) PFL-2 (24" section) PFL-3 (36" section) PFL-4 (48" section)
D - Solid sections	PEXT-1 (12" section) PEXT-2 (24" section) PEXT-3 (36" section) PEXT-4 (48" section)
E - Elbows	PEL-90MM (m/m 90° elbow) PEL-90FF (f/f 90° elbow) PEL-90FM (f/m 90° elbow)

Example:

A 10' section and an elbow used in conjunction with 3 foot flex section (PFL-3) will, when extended in a five foot chase, allow for a maximum horizontal run of twelve and one-half feet from the center of the fireplace to outside wall and a minimum of 7'6" when retracted in opposite direction. (See Figure 14a and 14b.)

"D" flex sections and "E" solid sections may be used in conjunction with one another to obtain different possible horizontal length installations. **NOTE:** Flex section must not exceed maximum horizontal length of 3 feet. (See Figure 15.)

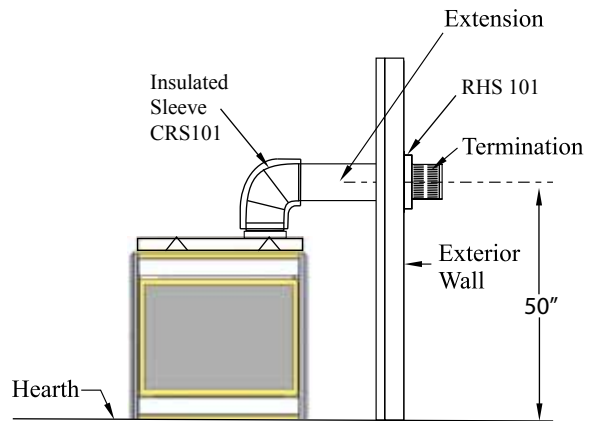


Figure 13. Short Horizontal Installation.

Installation

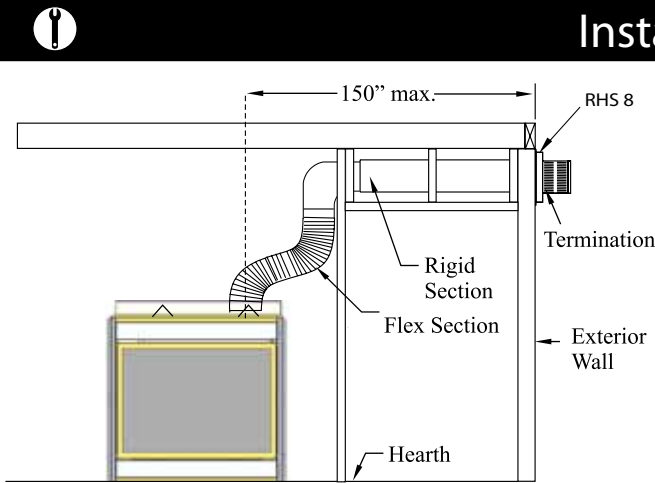


Figure 14a. Extended Installation.

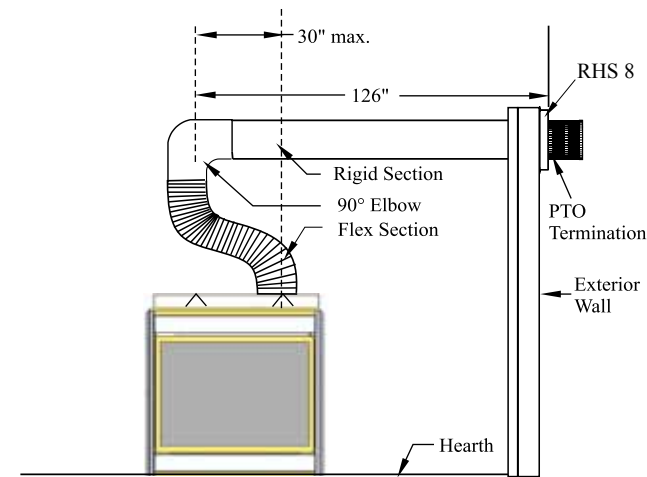


Figure 14b. Retracted Installation.

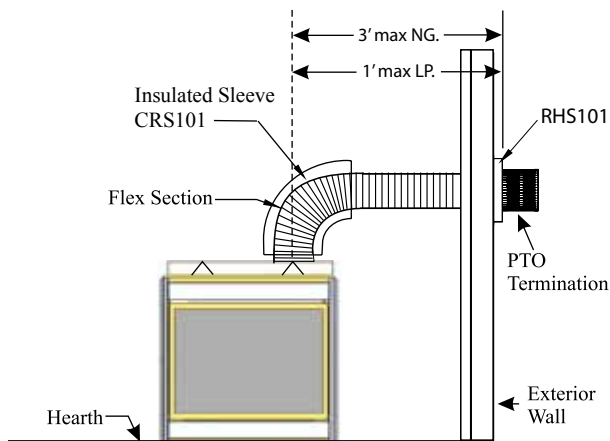
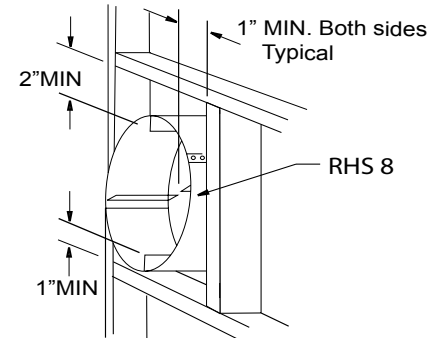


Figure 15. Horizontal flex installation.



Combustible Construction Clearances

Figure 15a. Heat Shield. Install by sliding over the vent pipe where it passes through combustible construction.

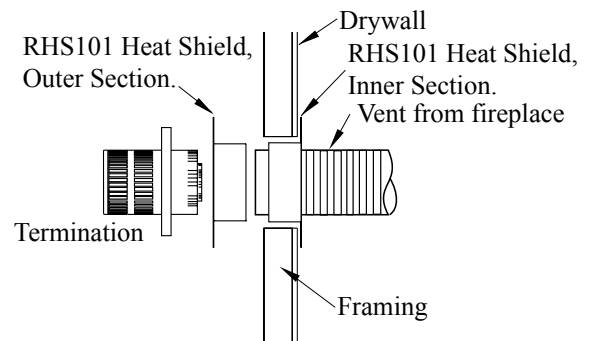


Figure 15b. RHS101 Installation. (Install by sliding over vent pipe where it passes through the combustible construction.)

WARNING:

Ensure Vent Heat Shield, RHS 8 as shown in Figure 13, 14a, 14b, and 15, has minimum 1" clearance on bottom and sides from framing. Top must have minimum 2" clearance as shown.

Installation



Installation of Vertical Vent

- Vertical terminations must be installed:
 - minimum 2' (two feet) above the highest point where vent passes through the roof.
 - minimum 6' (six feet) from a mechanical air inlet
 - minimum 18" (1½ feet) from a parapet wall.
- Maximum vent height is 30 feet above fireplace.

Note: Flame characteristics will change if the maximum vent height is used.
- Minimum clearance to combustible construction around the vent pipe is 1" on all sides must be maintained, except on horizontal venting where the top of the pipe must have a clearance of at least 2".

A - Termination	PVTK-1
B - Flex sections	PFL-1 (12" section) PFL-2 (24" section) PFL-3 (36" section) PFL-4 (48" section)
C - Solid sections	PEXT-1 (12" section) PEXT-2 (24" section) PEXT-3 (36" section) PEXT-4 (48" section)
D - Support Ring and Plate	PSPXT-7 (8" dia.)
E - Firestop	PS-8 (8" dia.)
F - Roof Flashing	PRF-7 (1/12 - 7/12 pitch) PRF-12 (7/12 - 12/12 pt.)

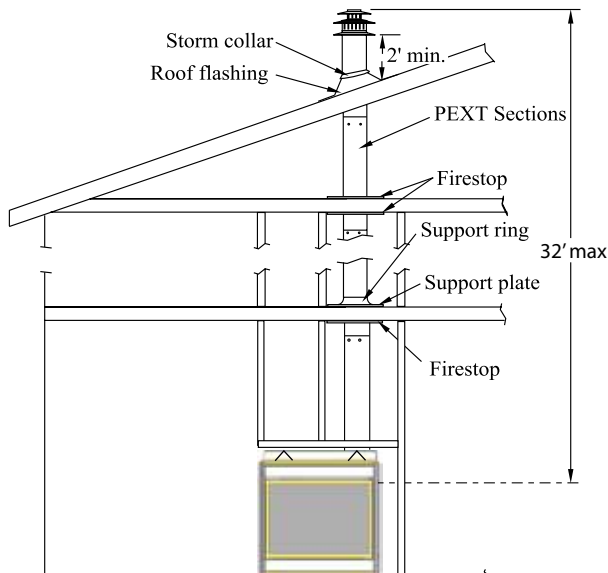


Figure 16. Straight, vertical venting.

- A maximum of two offsets (each offset has two 90° bends) may be made if the length of the offsets does not exceed 25% of the vertical vent height, when measured center to center of piping.

Example: Typical vent installation.
 30' vertical vent
 2 - 2' offsets required
 25% of 30' = 7-1/2' max. offset allowed
 This venting configuration meets requirements.

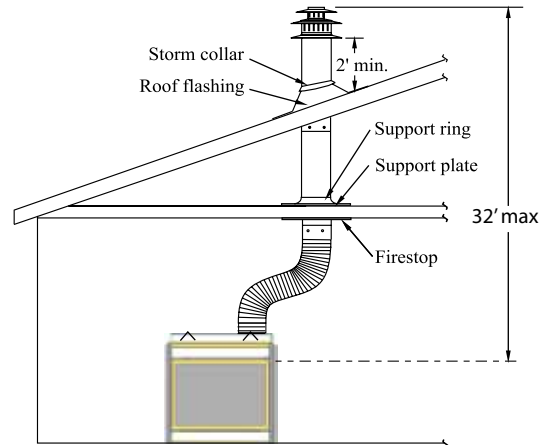


Figure 17. Vertical venting using 1 offset (1 offset = two 90° bends)

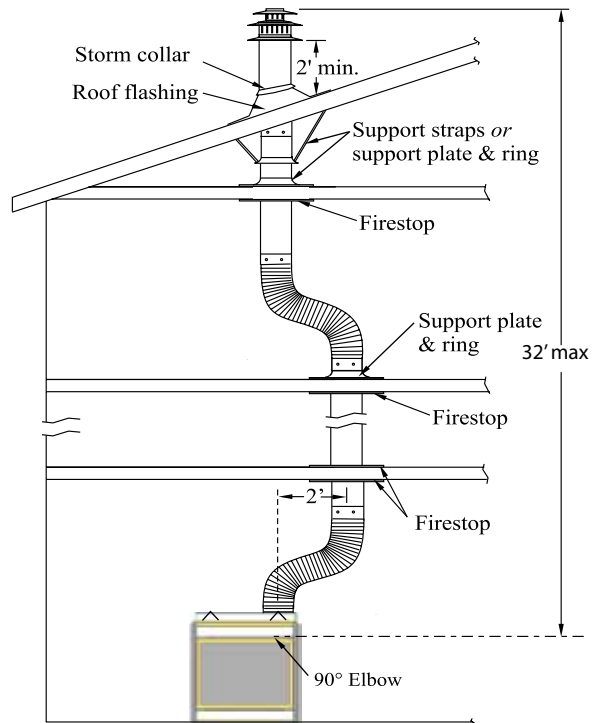


Figure 18. Vertical venting using 2 offsets (1 offset = two 90° bends).



Installation

Finishing Around the Fireplace

Combustible mantels and moldings may be safely installed over the top and on the front of the fireplace provided that they do not project beyond shaded area shown in **Figure 20a**. Side wall clearances are 0". Combustible surrounds may be installed with 0" clearance to the side of the fireplace as shown in **Figure 20b**.

Fireplace Facing

When selecting the finish material for your fireplace, it is important to remember the following: **THE OPENING MUST NOT BE OBSTRUCTED IN ANY WAY - to do so restricts the air supply for the control compartments and heat exchanger it also prevents access for servicing controls.**

The face of the fireplace may be painted to match the room decor, provided you use a heat-resistant paint. Decorative facing must not extend past the fireplace opening at all, because it will interfere with the access to retainers for removal of glass door. **When using a tile facing, do not tile over the outside frame of the fireplace, as this will obstruct the door removal.** See Figure 20a.

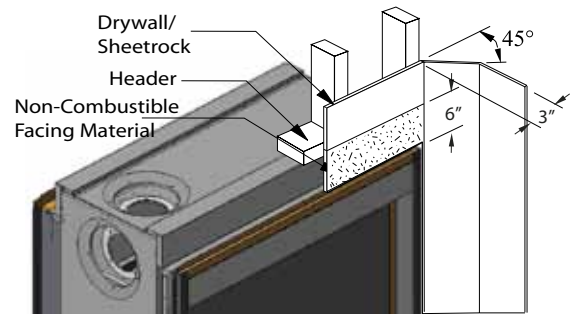


Figure 20a. Combustible facings materials. (Both Sides Typical)

Mantels and Surrounds

NOTE: Mantel clearances are for fire hazard prevention to combustible materials.

New technology, to meet consumer and government demands for the wise use of energy, has prompted us to manufacture many models of fireplaces which are hot, fuel and energy efficient.

Please be aware; temperatures over the mantel will rise above normal room temperature and walls above fireplace may be hot to touch.

We recommend careful consideration be given to the effects of elevated mantel temperatures which may be in excess of product design, for example: candles, plastic or pictures. This can cause melting, deformation, discoloration or premature failure of T.V. and radio components.

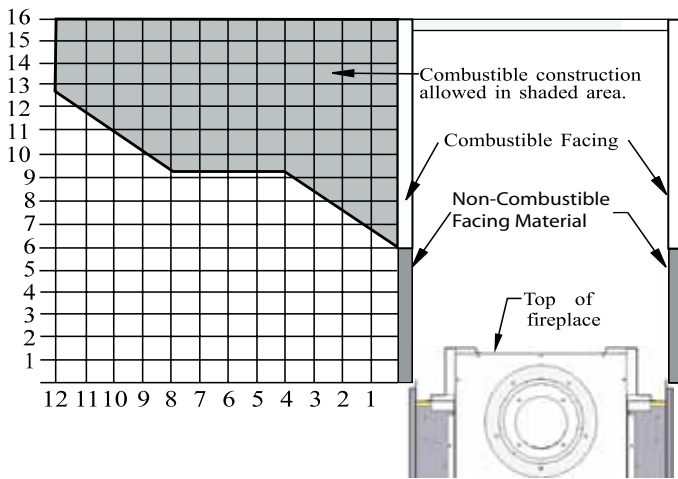


Figure 20 Combustible mantles and facings.

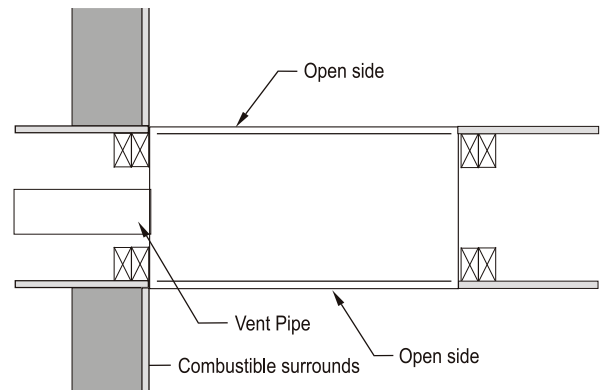


Figure 20b. Combustible surrounds. Top view.

Installation



Wiring

Gas Control Wiring

Vista 42 ST

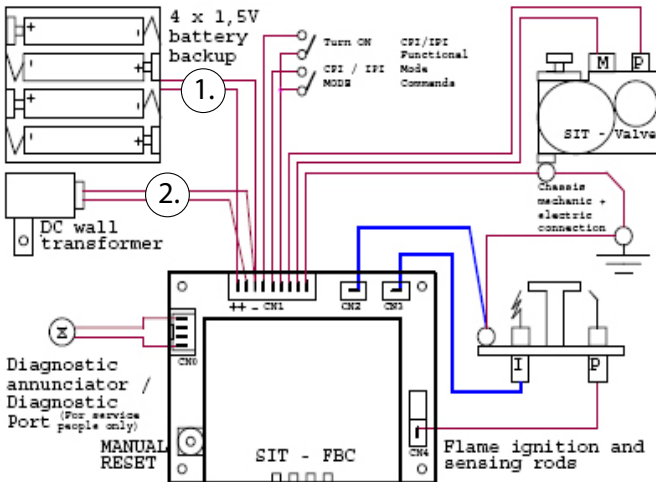


Figure 21. Wiring the Vista 42 ST wiring schematic.



WARNING!

We recommend careful consideration be given to the effects of elevated mantel temperatures which may be in excess of product design, for example: candles, plastic or pictures. This can cause melting, deformation, discoloration or premature failure of T.V. and radio components.

Wiring for the optional Fan Kit

Vista 42 ST

The Vista 42 ST fireplace may be equipped with optional fan kits for circulating heat into the living space.

Installations in Canada which employ the fans must be electrically grounded in accordance with CSA C22.1 Canadian Electrical Code Part 1 and/or Local Codes.

Installations in the USA which employ the fans must be grounded in accordance with local codes or, in the absence of local codes, with the National Electrical Code, ANSI/NFPA 70-1987.

For more information see the Fan Kit Installation Guide included with the fan kit.

NOTE: If any of the original wire supplied with the appliance is replaced, it must be replaced with the same type, or its equivalent.

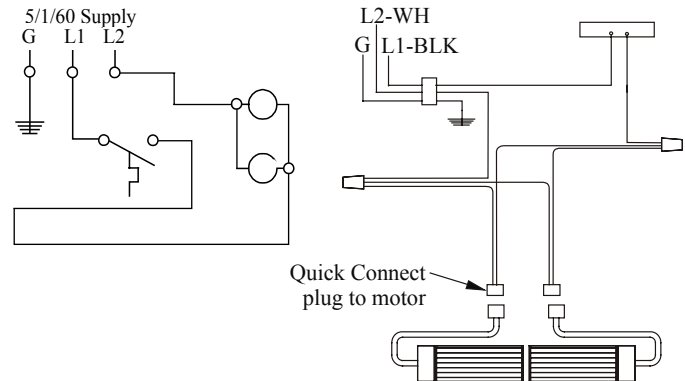


Figure 221a. Wiring schematic for optional fans.



WARNING!

Do not attempt to clean glass when hot.

Do not clean glass with abrasive materials as any glass etching may cause premature glass failure.

Do not operate this fireplace without the glass door, or with a broken glass door.



Installation

Removing and Installing the Doors

The Vista 42 ST doors are removed in a few simple steps. Follow the steps below to remove the horizontal access panel, unlatch the door buckles and, remove the door. Replace in reverse order.

Step 1: Remove the Horizontal Access Panel

Remove the horizontal access panel by placing fingers in the finger holes then pushing away from you and lifting out. Place it aside during maintenance or cleaning. Install in reverse order.



Figure 22. Removing and Installing the Horizontal Access Panel

Step 2: Locate the Door Buckles

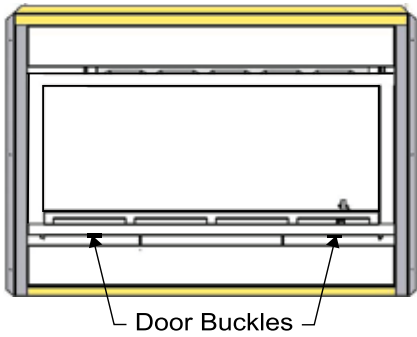


Figure 22a. Locate the door buckles. (Both Sides Typical)

Step 3: Release the Door Buckles



Figure 22b. Door buckle tool

Step 4: Firmly grasp hand-hold end of door buckle tool and place the machined end in the slot under door frame, as shown.



Figure 22c.

Step 5: Ensure the tool is firmly in the lower end of the slot, as shown. Then pull toward you.

Caution: hold the tool securely.

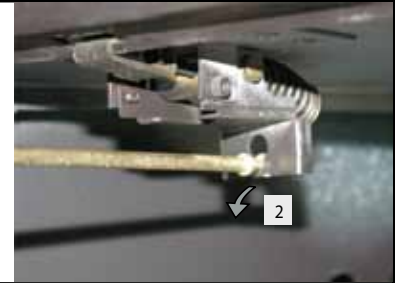


Figure 22d.

Step 6: Pull hard if necessary to release the spring tension.

Caution: The latch springs back with force, hold the tool securely.



Figure 22e.

Step 7: Remove the tool from the latch slot. Ensure the latches are hanging freely, the hook end is released from the bottom of the door. Repeat all four steps for the remaining latches.



Figure 22f.

Step 8: Removing the Door

Grasp the door on either side, usually midway and lift upward, lift the door carefully up and away from the front of the fireplace. See Figure 22g. Place the door aside in a safe place while maintenance and/or cleaning is being performed.

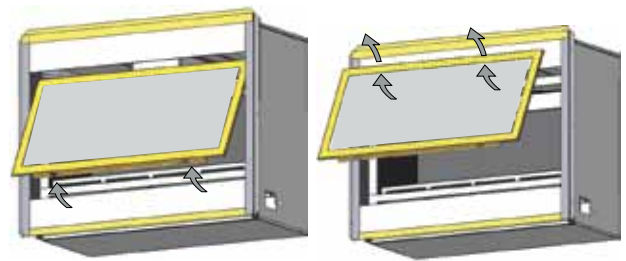


Figure 22g. Removing and installing the glass doors. (Both Sides Typical)

Installing the Doors

To install the doors, hook the top edge of the door frame into place. Lower and rest the door frame in place and fasten the buckles. See Figures 22a and 22b.



Installing the Glass Beads and Optional Fire Media

The **Vista 42 ST** fireplace is supplied with glass beads. Optional stone and drift-wood fire media are available.

Remove the door and trim as shown previously. Follow these instructions to ensure all parts are removed or replaced as required. Once the trim and glass doors are removed place the glass beads **AROUND** the burner. The glass beads may be placed on the mesh pilot flame cover but *neither the glass beads nor the fire media may be placed on the burner itself* (see *Figure 23*, below.)

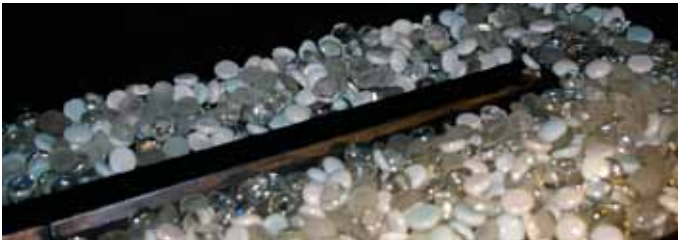


Figure 23. *Installation with glass beads.*



Vista 42 ST

Operation - Vista 42 ST

Vista 42 ST

*with Proflame SIT Electronic Ignition***For Your Safety - READ BEFORE LIGHTING:**

WARNING: If you do not follow these instructions exactly, a fire or explosion may result causing property damage, personal injury or loss of life.

A. This appliance is equipped with an ignition system that lights the pilot burner automatically. Do not attempt to light the pilot by hand.

B. BEFORE LIGHTING smell all around the appliance area for gas. Be sure to smell next to the floor because some gas is heavier than air and will settle on the floor.

What To Do If You Smell Gas:

- Do not try to light any appliance.
- Do not touch any electrical switch; do not use any phone in your building.
- Immediately call your gas supplier from a neighbor's phone. Follow the gas supplier's instructions.
- If you cannot reach your gas supplier, call the Fire Department.

C. Use only your hand to push in or turn the gas control knob. Never use

tools. If the knob will not push in or turn by hand, don't try to repair it, call a qualified service technician. Force or attempt to repair may result in a fire or explosion.

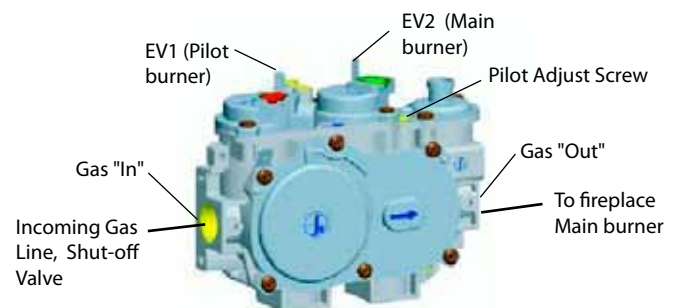
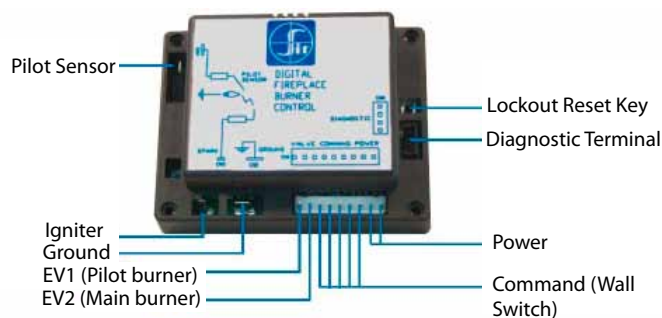
D. Do not use this appliance if any part has been under water. Immediately call a qualified service technician to inspect the appliance and to replace any part of the control system, and any gas control which has been under water.

Lighting Instructions:

1. STOP! Read the safety information above on this label.
2. Remove the lower horizontal access panel.
3. Turn Incoming gas valve to the "ON" position.
4. Wait 5 minutes to clear out any gas. If you smell gas, STOP! Follow "B" in the safety information above on this label. If you don't smell gas, go to the next step.
5. Turn wall switch "ON".
6. If the Fireplace does not light, the system will cycle through two trials,

(one minute audible clicking, thirty seconds of silence, and then another one minute of audible clicking). If the system locks out due to inadequate gas flow, refer to "Troubleshooting", Page 20.

7. After completion of the information in the Troubleshooting section, Repeat step 5.
8. If the system will not function correctly, follow the instructions "To Turn Off Gas To Appliance" and call your service technician or gas supplier.

**To Turn Off Gas To Appliance:**

1. Turn off remote switch.
2. Remove the lower horizontal access panel.
3. Turn the incoming gas control valve to "Off".
4. Replace the lower horizontal access panel.



Operation

Lighting Instructions

See page 15.

Burner Adjustment

The Vista 42 ST is equipped with an adjustable burner, allowing you to raise or lower the flames. To adjust the flames, locate the black knob marked 'Hi-Lo', in the center of the gas control valve (See Figure 25). The front burners are not adjustable.

- To raise the flame height, turn the black knob (located behind the lower trim) **counterclockwise**.
- To lower the flame height, turn **clockwise**.

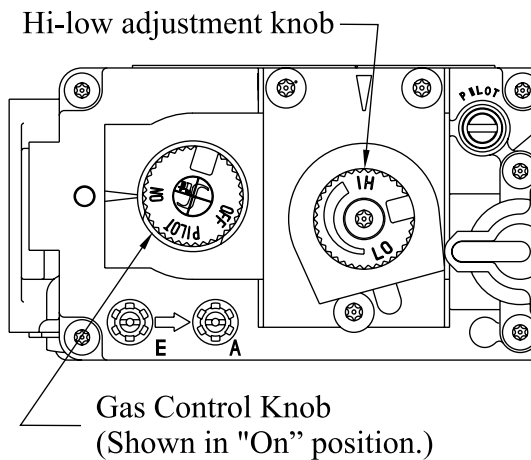


Figure 25. Hi-Lo' Adjustment on the Vista 42 ST's gas valve.

Maintenance



General

- **Have the fireplace and installation inspected yearly.** The inspection must include, but is not limited to, the following:
 - A visual check of the entire vent system and termination.
 - An inspection of the explosion relief flappers and the door gasketing to ensure a proper seal.
 - An inspection of the burner, venturi, and primary air openings.
 - An inspection of the gas valve, gas components, and pilot flame. For your convenience a 1/8" manifold pressure tap is supplied on the gas valve for a test gauge connection. See Figure 26.
 - Ensure proper fire media placement as per this manual.
 - Inspection of all optional equipment; fans, thermostats, etc.
- For **Natural Gas** this appliance requires a minimum inlet pressure of 5.5" w.c. and a manifold pressure of 3.5" w.c.
- For **Propane Gas** this appliance requires a minimum inlet pressure of 11" w.c. and a manifold pressure of 10" w.c.
- Always keep the fireplace area clear and free of combustible materials, as well as gasoline and other flammable vapors and liquids.
- *Do not use this appliance if any part has been under water.* Immediately call a qualified service technician to inspect the appliance and to replace any part of the control system and any gas control which has been under water.

Cleaning

When the fireplace is first activated, there may be some smoking and a visible film may be left on the glass. This is a normal condition, and is the result of burning of protective coatings on new metal.

- Glass must be cleaned periodically to remove any film (which is a normal by-product of combustion) which may be visible. Remove the doors, as previously shown, and clean them with non-abrasive glass cleaners. One of the most effective products is Kel Kem.
- Silicone seals on inner door during initial firing will "off gas", leaving a visual deposit of a white substance on combustion chamber walls. This can easily be removed using normal household products.
- Use a vacuum cleaner or whisk broom to keep the control compartment, burner, and firebox free from dust and lint.



Maintenance

Gas Control Valve

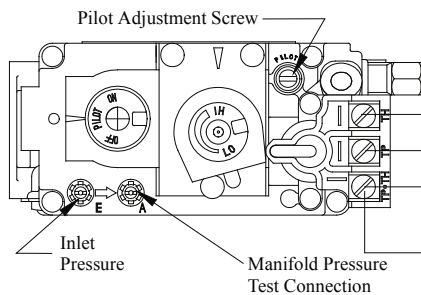


Figure 26. Vista 42 ST gas valve.

Pilot Burner Adjustment

1. Locate Pilot Adjustment Screw. (See Figure 26.)
2. Adjust pilot key to provide properly sized flame. (See Figure 27).
3. After installing or servicing, leak test with a soap solution with main burner on. Coat pipe and tubing joints, gasket etc. with soap solution. Bubbles indicate leaks. Tighten any areas where the bubbles appear until the bubbling stops completely.

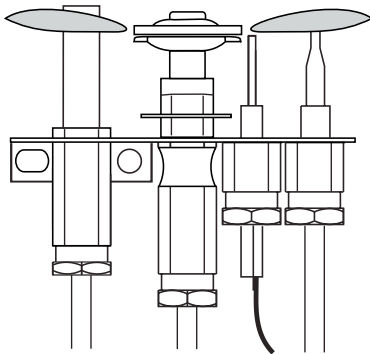


Figure 27. Pilot Burner



WARNING!

Do not attempt to clean glass when hot.

Do not clean glass with abrasive materials as any glass etching may cause premature glass failure.

Do not operate this fireplace without the glass door, or with a broken glass door.



Cautions:

- Fireplace gas control must be in the "OFF" position and pilot and main burners extinguished when cleaning appliance with a vacuum.
- Doors and fire media can get very hot. Handle only when cool.

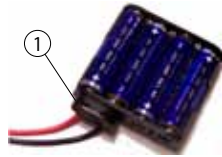


Vista 42 ST

Troubleshooting

To reset the SIT System, refer to schematic, below and and:

1. Locate the connection to the battery backup and disconnect it.

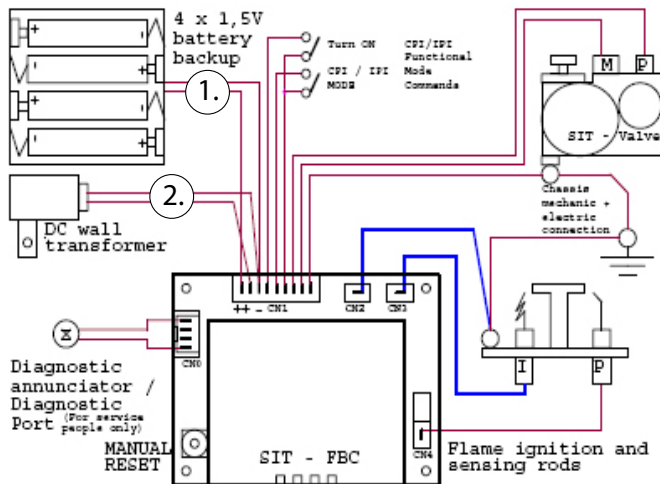


2. Locate the AC/DC wall transformer and unplug the connector.



Wait for 120 seconds and re-connect the wall transformer and battery backup.

If your fireplace still does not operate correctly, consult your installer.



If your fireplace still does not operate correctly, consult your dealer or the manufacturer.

All service and repairs should be performed by a qualified agency.

All spare parts, optional fans, and optional trim finishes are available from your local dealer or the manufacturer.

Vista 42 ST Spare Parts

NG Gas Valve	RGC1006
LP Gas Valve	RGC1005
NG Pilot	RPA020
LP Pilot	RPA021
NG Burner	RBH42501
LP Burner	RBH42502
NG Orifice	ROR1157
LP Orifice	ROR1157
Door	RDTH42

Warranty

The Warranty

The Company warrants the European Home Gas Appliance to be free from defects in materials and workmanship at the time of manufacture. On the European Home Gas Appliance, there is a ten-year warranty on the firebox and its components, a five-year warranty on the main burner and pilot burner, and a one-year warranty on the gas control valve and fire media. Glass, plated/painted finishes, and refractory lining are exempt.

Remedy And Exclusions

The coverage of this Warranty is limited to all components of the Gas Appliance manufactured by The Company.

This Warranty only covers European Home Gas Appliances installed in the United States or Canada.

If the components of the Gas Appliance covered by this Warranty are found to be defective within the time frame stated (see The Company's right of investigation outlined below). The Company will, at its option, replace or repair defective components of the Gas Appliance manufactured by The Company at no charge, and will also pay for reasonable labor costs incurred in replacing or repairing components. If repair or replacement is not commercially practical, The Company will, at its option, refund the purchase price of the European Home Gas Appliance.

This Warranty covers only parts and labor as provided above. In no case shall The Company be responsible for materials, components, or construction which are not manufactured or supplied by The Company, or for the labor necessary to install, repair or remove such materials, components or construction. All replacement or repair components will be shipped F.O.B. the nearest Company factory.

Qualifications To The Warranty

The Gas Appliance Warranty outlined above is further subject to the following qualifications:

- (1) The Gas Appliance must be installed in accordance with The Company installation instructions and local building codes. The Warranty on this European Home Gas Appliance covers only the component parts manufactured by The Company. The use of components manufactured by others with this European Home Gas Appliance could create serious safety hazards, may result in the denial of certification by recognized national safety agencies, and could be in violation of local building codes. This warranty does not cover any damages occurring from the use of any components not manufactured or supplied by The Company
- (2) The European Home Gas Appliance must be subjected to normal use. The Gas Appliances are designed to burn gas only. Burning conventional fireplace fuels such as wood, coal or any other solid fuel will cause damage to the Gas Appliance, will produce excessive temperatures and will result in a fire hazard.

Limitations On Liability

It is expressly agreed and understood that The Company sole obligation, and purchaser's exclusive remedy under this Warranty, under any other warranty, expressed or implied, or in contract, tort or otherwise, shall be limited to replacement, repair, or refund, as specified above.

In no event shall The Company be responsible for any incidental or consequential damages caused by defects in its products, whether such damage occurs or is discovered before or after replacement or repair, and whether or not such damage is caused by Company negligence. Some states do not allow the exclusion or limitation of incidental or consequential damages, so the above limitation or exclusion may not apply to you. The duration of any implied warranty with respect to this European Home Gas Appliance is limited to the duration of the foregoing warranty. Some states do not allow limitation on how long an implied warranty lasts, so the above may not apply to you.

Investigation Of Claims Against Warranty

The Company reserves the right to investigate any and all claims against this Warranty and to decide upon method of settlement.

The Company Is Not Responsible For Work Done Without Written Consent

The Company shall in no event be responsible for any warranty work done without first obtaining The Company's written consent.

Dealers Have No Authority To Alter This Warranty

The Company employees and dealers have no authority to make any warranties nor to authorize any remedies in addition to or inconsistent with those stated above.

How To Register A Claim Against Warranty

In order for any claim under this Warranty to be valid, The Company must be notified of the claimed defect in writing or by telephone, as soon as reasonably possible after the defect is discovered. Claims against this Warranty in writing should include the date of installation, and a description of the defect.

Other Rights

This Warranty gives you specific legal rights, and you may also have other rights which vary from state to state.

NOTE: The Company, as stated above, refers to European Home, a division of Europa Ja, Inc.

The Company reserves the right to make changes at any time, without notice, in design, materials, specifications, prices and also to discontinue colors, styles and products.



EUROPEAN HOME
a division of Europa Ja, Inc.

376 Washington St.
Suite 203
Malden, MA 02148

tel: 781/324-8383
fax: 781/324-8384
www.europeanhome.com
