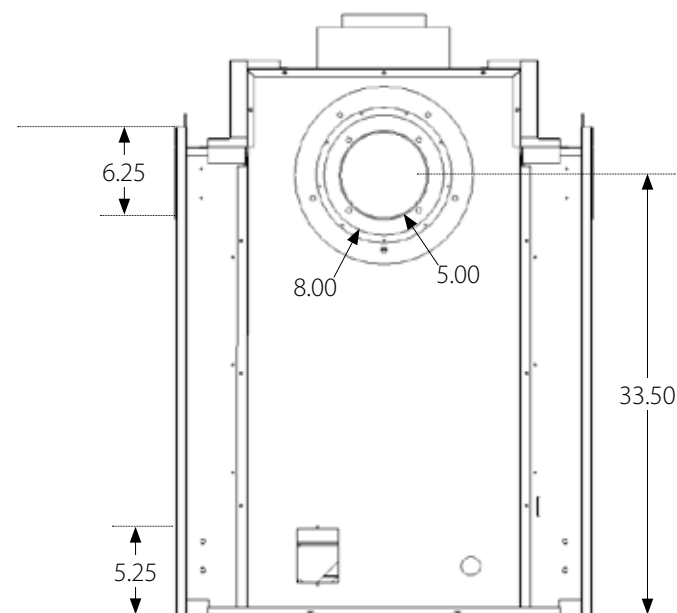
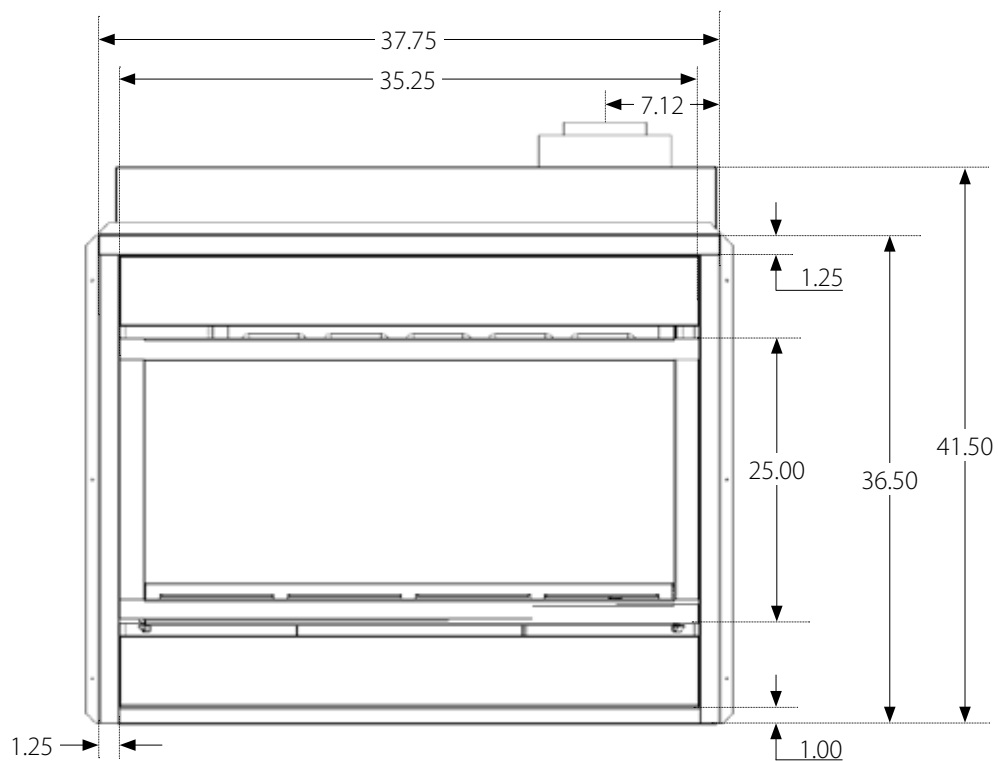
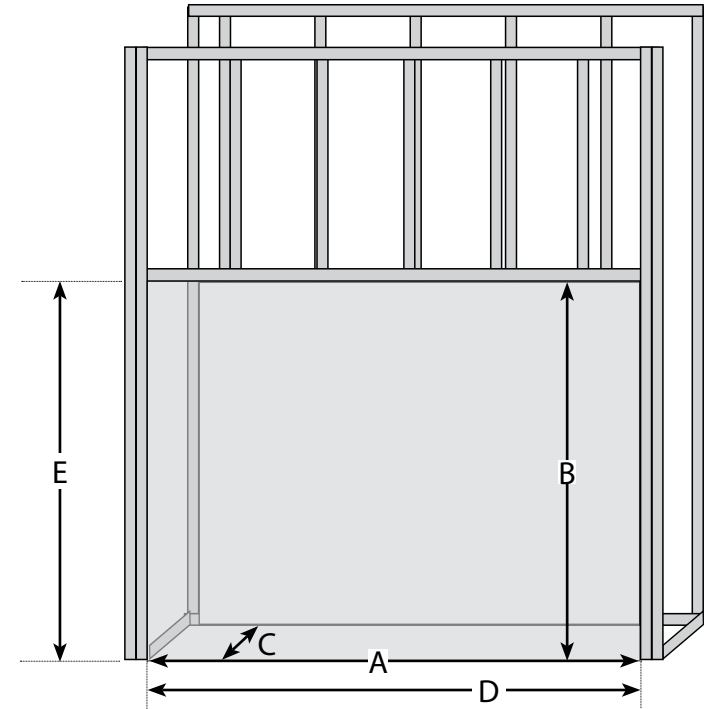
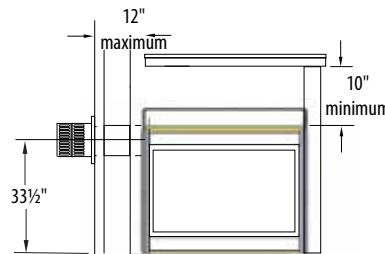
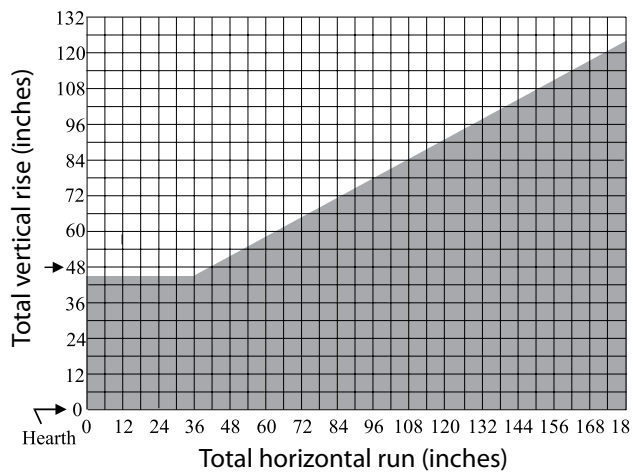


all dimensions in inches, not to scale



- May be vented through the top (default) or side of the cabinet.
- The minimum vent run uses a 12" run to a wall termination.
- Vent rise and run must intersect in a white graph square, below.
- A power venting option is available for "off-the-chart" applications.

Graph for Top Venting ONLY  
(see Installation Manual for more venting options)



A	Rough Opening Width	40 <sup>3</sup> / <sub>4</sub> "
B	Rough Opening Height	42 <sup>1</sup> / <sub>2</sub> "
C	Rough Opening Depth*	23 <sup>3</sup> / <sub>4</sub> " or 24 <sup>3</sup> / <sub>4</sub> "
D	Non-combustible Zone Width	38"
E	Non-combustible Zone Height	42 <sup>1</sup> / <sub>2</sub> "

all dimensions in inches, -0.0

\* When bringing non-combustible wall board to the fireplace opening the framing depth is increased by 1". See Planning Guide for overlay finishing.