

# VISION VENT FREE GAS FIREPLACE

## Installation Guide



**This is an unvented gas-fired heater. It uses air (oxygen) from the room in which it is installed. Provisions for adequate combustion and ventilating air must be provided. Refer to page 6.**

**This heater may be installed in an aftermarket, permanently located, manufactured (mobile) home, where not prohibited by local codes.**

**This heater is only for use with the type of gas indicated on the rating plate. This heater is not convertible for use with other gases.**

**INSTALLER: Leave this manual with the heater.  
END USER: Retain this manual for future reference.**

**WARNING: If the information in these instructions is not followed exactly, a fire or explosion may result causing property damage, personal injury or loss of life.**

**Do not store or use gasoline or other flammable vapors and liquids in the vicinity of this or any other appliance.**

### **WHAT TO DO IF YOU SMELL GAS**

- **Do not try to light any appliance.**
- **Do not touch any electrical switch; do not use any phone in your building.**
- **Immediately call your gas supplier from a neighbor's phone. Follow the gas supplier's instructions.**
- **If you cannot reach your gas supplier, call the fire department. Installation and service must be performed by a qualified installer, service agency or the gas supplier.**

**Installation and service must be performed by a qualified installer, service agency or the gas supplier.**



## TABLE OF CONTENTS

Important Safety Information	3
General Installation Information	6
Specifications and Dimensions	8
Before You Begin	10
Electrical Requirements	10
Installation Clearances	11
Combustion Air Supply	14
Framing	17
Installing the Fireplace	18
Gas Supply	18
Facing	19
Installing the Burner Module	20
Panel Installation	22
Stone Configuration	23
Surrounds	25
Operating Instructions	26
Maintenance	28
Troubleshooting	29
Parts List	31

## IMPORTANT SAFETY INFORMATION

Read these instructions carefully before installing or trying to operate this Vent Free gas heater.

### WARNING

- **Any change to this heater or its controls can be dangerous.**
- **Improper installation or use of the heater can cause serious injury or death from fire, burns, explosion or carbon monoxide poisoning.**
- **Do not allow fans to blow directly into the fireplace. Avoid any drafts that alter burner flame patterns.**
- **Do not use a blower insert, heat exchanger insert or other accessory, not approved for use with this heater.**

1. Due to high temperatures, the heater should be located out of traffic and away from furniture and draperies.
2. Children and adults should be alerted to the hazard of high surface temperature and should stay away to avoid burns or clothing ignition.
3. Young children should be carefully supervised when they are in the same room with the heater.
4. Do not place clothing or other flammable material on or near the heater.
5. Any safety screen or guard removed for servicing a appliance, must be replaced prior to operating the heater.
6. Installation and repair should be done by a qualified service person. The heater should be inspected before use and at least annually by a professional service person. More frequent cleaning may be required due to extensive lint from carpeting, bedding material, etc. It is imperative that control compartments, burners and circulating air passageways of the heater be kept clean.
7. To prevent malfunction and/or sooting, an unvented gas heater should be cleaned before use and at least annually by a professional service person.
8. **CARBON MONOXIDE POISONING:** Early signs of carbon monoxide poisoning are similar to the flu with headaches, dizziness and/or nausea. If you have these signs, obtain fresh air immediately. Have the heater serviced as it may not be operating properly.
9. The installation must conform with local codes or, in the absence of local codes, with the **National Fuel Gas Code, ANSI Z223.1/NFPA54.**
10. This unit complies with ANSI Z21.11.2-2007 Unvented Heaters.

## IMPORTANT SAFETY INFORMATION

Read these instructions carefully before installing or trying to operate this Vent Free gas heater.

11. Do not install this heater in a bathroom or bedroom.
12. Correct installation of the ceramic stones, proper location of the heater, and annual cleaning are necessary to avoid potential problems with sooting. Sooting, resulting from improper installation or operation, can settle on surfaces outside the fireplace. See stone placement instructions for proper installation.
13. **WARNING:** Avoid any drafts that alter burner flame patterns. Do not allow fans to blow directly into fireplace. Do not place a blower inside burn area of firebox. Ceiling fans may create drafts that alter burner flame patterns. Sooting and improper burning will occur.
14. **Caution:** Candles, incense, oil lamps, etc. produce combustion by-products including soot. Vent Free heaters will not filter or clean soot produced by these types of products. In addition, the smoke and/or aromatics (scents) may be reburned in the Vent Free heater which can produce odors. It is recommended to minimize the use of candles, incense, etc. while the Vent Free heater is in operation.
15. Keep room area clear and free from combustible materials, gasoline and other flammable vapors and liquids.
16. Unvented gas heaters are a supplemental zone heater. They are not intended to be the primary heating heater.
17. Unvented gas heaters emit moisture into the living area. In most homes of average construction, this does not pose a problem. In houses of extremely tight construction, additional mechanical ventilation is recommended.
18. During manufacturing, fabricating and shipping, various components of this heater are treated with certain oils, films or bonding agents. These chemicals are not harmful but may produce annoying smoke and smells as they are burned off during the initial operation of the heater; possibly causing headaches or eye or lung irritation. This is a normal and temporary occurrence. The initial break-in operation should last two to three hours with the burner at the highest setting. Provide maximum ventilation by opening windows or doors to allow odors to dissipate. Any odors remaining after this initial break-in period will be slight and will disappear with continued use.
19. Input ratings are shown in BTU per hour and are for elevations up to 2,000 feet. For elevations above 2,000 feet, input ratings should be reduced 4 percent for each 1,000 feet above sea level. Refer to the National Fuel Gas Code.
20. The heater and its main gas valve must be disconnected from the gas supply piping system during any pressure testing of that system at test pressures in excess of ½ psig (3.5 kPa).

## IMPORTANT SAFETY INFORMATION

Read these instructions carefully before installing or trying to operate this Vent Free gas heater.

21. The heater must be isolated from the gas supply piping system by closing its equipment shutoff valve during any pressure testing of the gas supply piping system at test pressures equal to or less than ½ psi (3.5 kPa).
22. Do not use this room heater if any part has been under water. Immediately call a qualified service technician to inspect the heater and to replace any part of the control system and any gas control which has been under water.
23. This heater must not be used with glass doors in the closed position. This can lead to pilot outages and severe sooting outside the fireplace.
24. Never burn solid fuels in a fireplace where an unvented heater is installed.
25. Always have a fireplace screen in place when the heater is in operation and, unless other provisions for combustion air are provided, the screen must have an opening(s) for induction of combustion air.
26. **WARNING:** Any change to this heater or its controls can be dangerous.
27. When this heater is installed directly on carpeting, tile or other combustible material, other than wood flooring, the heater shall be installed on a metal or wood panel extending the full width and depth of the heater.
28. This appliance has been certified by OMNI-Test Laboratories, Inc. to ANSI Z21.11.2-2007, "Standard for Gas-Fired Room Heaters, Volume II, Unvented Room Heaters."
29. This appliance is approved for installation in the Commonwealth of Massachusetts. The Board of State Examiners of Plumbers and Gas Fitters has issued approval number G3-0311-479 for this appliance.

# GENERAL INSTALLATION INFORMATION

## CODES

Adhere to all local codes or, in their absence, the latest edition of THE NATIONAL FUEL GAS CODE ANSI Z223.1 or NFPA54 which can be obtained from...

American National Standards Institute, Inc.  
1430 Broadway  
New York, NY 10018  
or  
National Fire Protection Association, Inc.  
Batterymarch Park  
Quincy, MA 02269

## ADEQUATE COMBUSTION AND VENTILATION AIR

This heater shall not be installed in a confined space or unusually tight construction unless provisions are provided for adequate combustion and ventilation air.

The National Fuel Gas Code, (ANSI Z223.1/NFPA 54), defines a *confined* space as a space whose volume is less than 50 cubic feet per 1,000 BTU per hour (4.8 m<sup>3</sup> per kw) of the aggregate input rating of all appliances installed in that space. An *unconfined* space is defined as a space whose volume is not less than 50 cubic feet per 1,000 BTU per hour (4.8 m<sup>3</sup> per kw) of the aggregate input rating of all appliances installed in that space. Rooms communicating directly with the space in which the appliances are installed, through openings not furnished with doors, are considered a part of the unconfined space.

## UNUSUALLY TIGHT CONSTRUCTION IS DEFINED AS CONSTRUCTION WHERE...

a) walls and ceilings exposed to the outside atmosphere have a continuous water vapor retarder with a rating of 1 perm (6 x 10<sup>-11</sup> kg per pa-sec-m<sup>2</sup>) or less with openings gasketed or sealed;

b) weather stripping has been added on operable windows and doors, and

c) caulking or sealants are applied to areas such as joints around window and door frames, between sole plates and floors, between wall-ceiling joints, between wall panels, at penetrations for plumbing, electrical, and gas lines, and at other openings.

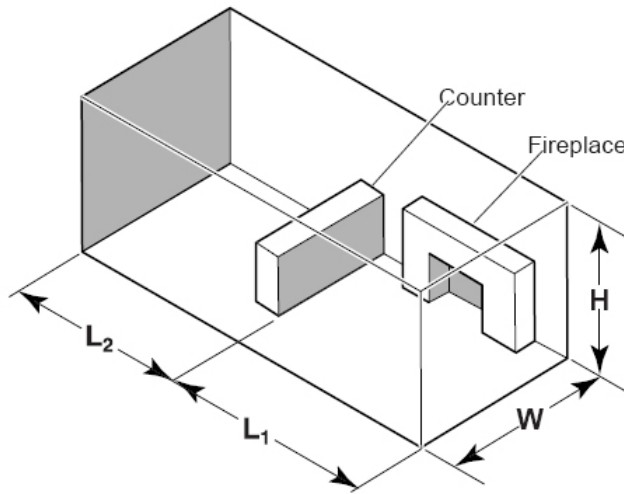
**WARNING**

**This appliance is equipped for natural gas.**

**Field conversion is not permitted.**

**WARNING**

**If the area in which the heater may be operated does not meet the required volume for indoor combustion air, combustion and ventilation air shall be provided by one of the methods described in the National Fuel Gas Code, ANSI Z223.1/NFPA 54, the International Fuel Gas Code or applicable local codes**



The following formula can be used to determine the maximum heater rating (per the definition of unconfined space) that is allowed in your space:

$$\text{Maximum BTU/Hr.} = \frac{(L1 + L2)\text{ft.} \times (W)\text{ft.} \times (H)\text{ft.}}{50} \times 1000$$

Example A: Consider two connecting rooms with an open area between, with the following dimensions: L1 = 15½ ft., L2 = 12 ft., W = 12 ft., H = 8 ft.

$$\frac{(15\frac{1}{2} + 12)\text{ft.} \times (12)\text{ft.} \times (8)\text{ft.}}{50} \times 1000 = 52,800 \text{ BTU/Hr.}$$

Example B: If there were a door between the two rooms the calculation would be based only on the room with the heater.

$$\frac{(15\frac{1}{2})\text{ft.} \times (12)\text{ft.} \times (8)\text{ft.}}{50} \times 1000 = 29,760 \text{ BTU/Hr.}$$

### Will my space support a Vision Vent Free Gas Fireplace?

Maximum BTU/hr. my space will support (use formula above) 1) \_\_\_\_\_

BTU/hr. of European Home Vision Vent Free Gas Fireplace 2) 39,000

If the answer to 1) is **greater** than 2) then your space **will** support the installation of the Vision Vent Free Gas Fireplace; if 1) is **less** than 2) then your space **will not** support a Vision Vent Free.

**WARNING**

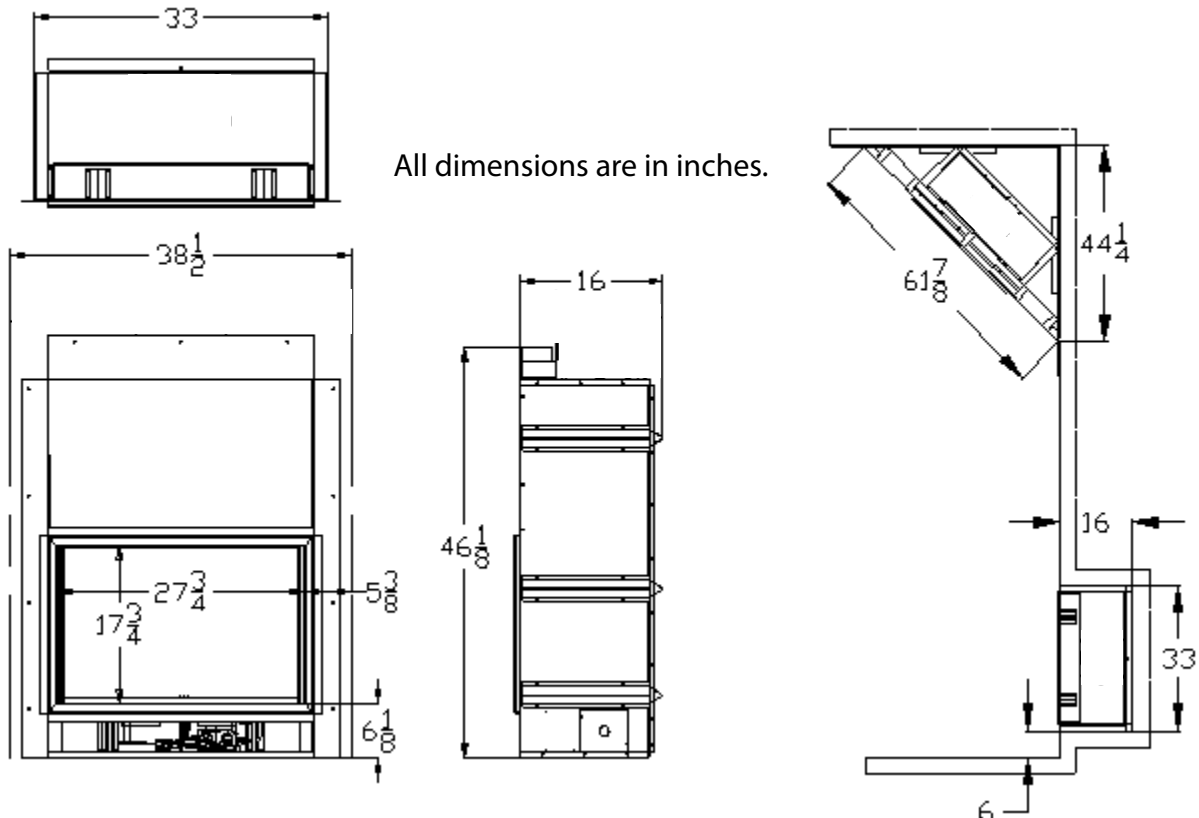
**If the area in which the heater may be operated is smaller than that defined as an unconfined space or if the building is of unusually tight construction, provide adequate combustion and ventilation air by one of the methods described in the National Fuel Gas Code, ANSI Z223.1/NFPA 54, Air for Combustion and Ventilation or applicable local codes.**

# SPECIFICATIONS and DIMENSIONS

Fuel Type:	Natural Gas ONLY
Manifold Pressure:	3.5" (0.87 kPa)
Minimum Supply Pressure:	4.0" (1.0 kPa)
Maximum Supply Pressure:	7.0" (1.7 kPa)
Orifice Size:	6 Port #55 DMS
Input:	High Fire - 39,000 BTU/hr. Low Fire - 27,000 BTU/hr.

## Wall Adapter Specifications

Input Voltage:	120V AC
Input Power:	9 W
Output Voltage:	6V DC
Output Current:	500 mA
Size:	3.1"H x 2"W x 1.7"D
Output Cord Length:	6 Feet
Agency Approvals:	UL, CSA





**Vision Vent Free Gas Burner Module**

**S/N NG- \_\_\_\_\_ E**

This appliance is equipped for Natural Gas.

Input Rating Btu/hr	39,000
Min. Input (Btu/hr)	27,000
Orifice (DMS)	6 Port #55
Manifold Press.	3.5"/0.87kPa
Min. Supply Press.	4.0"/1.0kPa
Max. Supply Press.	7.0"/1.7kPa
Type of Control	Maxitrol GV60 Gas Control

Tested & Listed By  Portland Oregon USA

OMNI-Test Laboratories, Inc.  
Report #284-F-03-5 & 284-L-04-5

Manufactured by European Home Div. of Europa Ja, Inc. Malden, MA 781-324-8383

This burner module is certified by OMNI-Test Laboratories to ANSI Z21.11.2-2007 *Unvented Heaters*, when installed in the Vision Vent Free Gas Fireplace or the Gas Stones Vent Free With Fusion Basket. Removal of this marking will void compliance of this heater with ANSI Z21.11.2.

This appliance must be installed in accordance with local codes, if any; if none, follow the ANSI Z223.1. Installation and service must be performed by a qualified installer, service agency or the gas supplier. This appliance shall not be field converted.

**WARNING:** This appliance is for installation only in a solid-fuel burning masonry or UL 127 factory-built fireplace or in a listed ventless firebox enclosure. It has been design certified for these installations. Exception: DO NOT install this appliance in a factory-built fireplace that includes instruction stating it has not been tested or should not be used with unvented gas logs.

**WARNING:** Do not use a blower insert, heat exchanger insert or other accessory not approved for use with this heater.

**WARNING:** Fireplace screens must be closed while the appliance is in operation. Any glass doors must be completely open while the appliance is in operation.



This heater shall not be installed in a bedroom or bathroom. This appliance is intended for supplemental heating.

**WARNING:** Failure to position the parts in accordance with these diagrams or failure to use only parts specifically approved with this heater may result in property damage or personal injury. See instructions manual for further information.

Apply loose material per instructions manual. DO NOT apply extra material or material not supplied with the heater. Replace only with European Home Stone Kit Part Number VPK-01.

This appliance may be installed in an aftermarket, permanently located, manufactured (mobile) home, where not prohibited by local codes.  
This appliance is only for use with the type of gas indicated on the rating plate. This appliance is not convertible for use with other gases.

**WARNING:** Improper installation, adjustment, alteration, service or maintenance can cause property damage, personal injury or loss of life. Refer to the owner's information manual provided with this appliance. Installation and service must be performed by a qualified installer, service agency, or the gas supplier.

**CAUTION:** Hot while in operation. Do not touch. Severe burns may result. Keep children, clothing, furniture, gasoline and other liquids having flammable vapors away.

**WARNING:** When used without adequate combustion and ventilation air, heater may give off excessive CARBON MONOXIDE, an odorless, poisonous gas.

**DO NOT INSTALL HEATER UNTIL ALL NECESSARY PROVISIONS ARE MADE FOR COMBUSTION AND VENTILATION AIR. CONSULT THE WRITTEN INSTRUCTIONS PROVIDED WITH THE HEATER FOR INFORMATION CONCERNING COMBUSTION AND VENTILATION AIR. IN THE ABSENCE OF INSTRUCTIONS, REFER TO THE NATIONAL FUEL GAS CODE, ANSI Z223.1, OR APPLICABLE LOCAL CODES.**

This heater is equipped with a PILOT LIGHT SAFETY SYSTEM designed to turn off the heater if not enough fresh air is available.

**DO NOT TAMPER WITH THE PILOT LIGHT SAFETY SYSTEM!**

If heater shuts off, do not relight until you provide fresh air.  
If heater keeps shutting off, have it serviced. Keep burner and control compartment clean.

**CARBON MONOXIDE POISONING MAY LEAD TO DEATH.**

Early signs of carbon monoxide poisoning resemble the flu, with headache, dizziness and/or nausea. If you have these signs, heater may not be working properly. Get fresh air at once! Have heater serviced.

IGN

Listing Plate for Vision Vent Free Natural Gas Burner

## BEFORE YOU BEGIN

### NOTE!

**Remove the combustion air door required in your particular installation.** See the COMBUSTION AIR SUPPLY section for details.

**Reset the Vision Vent Free Gas Fireplace.** See **RESETTING THE SYSTEM** in the **OPERATING INSTRUCTIONS** section for details.

You should have the following tools and supplies:

- Saw
- Hammer
- Pliers
- Phillips and straight-blade screwdrivers
- Spirit level
- Tape measure and framing square
- Electric drill and assortment of drill bits
- Safety glasses and gloves
- Framing material
- Manometer
- #6 or #8 self-tapping screws, 1/2" - 3/4" long
- Leak detection fluid (non-corrosive) or gas detector

## ELECTRICAL REQUIREMENTS

The Vision Vent Free Gas Fireplace uses a receiver and remote control for its burner operation. The remote control comes with a 9V battery and the receiver is powered by a 120V AC wall adapter.

This installation must provide for an approved 120V AC wall receptacle to be placed within the six foot cord limit of the wall adapter.

The receiver should be powered by the wall adapter. **Batteries do not provide an electrical backup for the wall adapter. Using batteries in combination with the wall adapter can damage the receiver.**

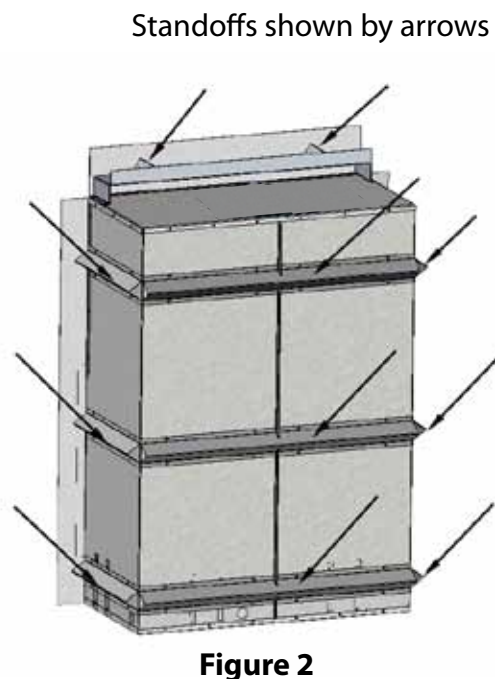
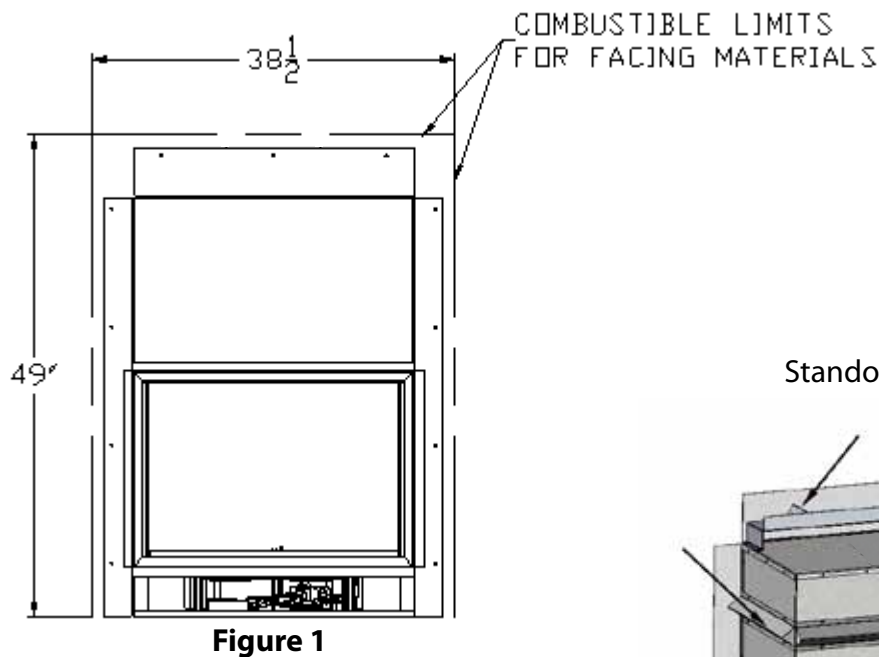
All installations in the U.S. and Canada must be in compliance with any and all applicable electrical codes.

# INSTALLATION CLEARANCES

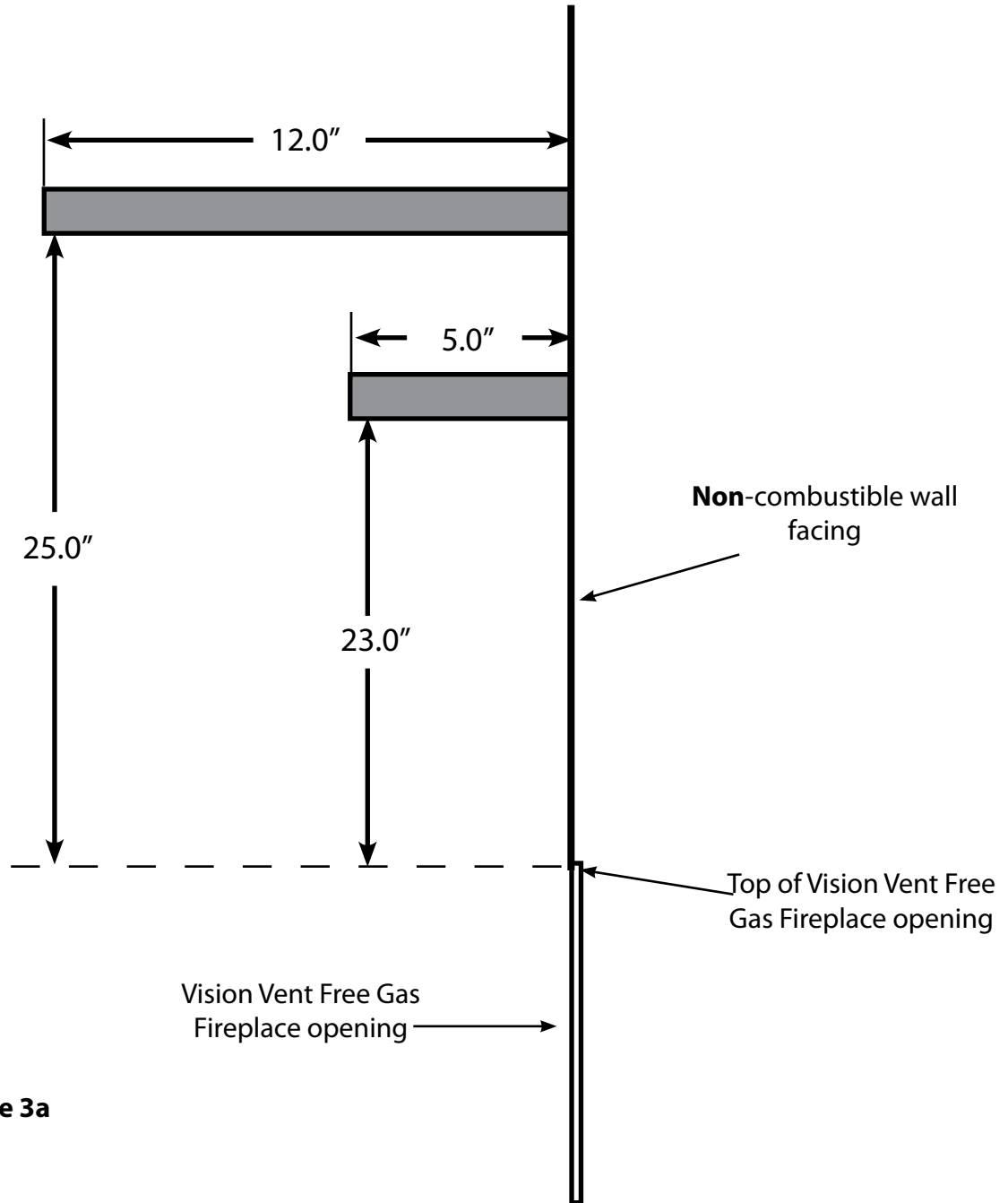
Several issues must be addressed when selecting a suitable location for the Vision Vent Free Gas Fireplace. Observing the required clearances to combustible materials, the accessibility of the gas supply and the routing of the gas vent must all be considered.

The following clearances to combustible materials must be observed:

- Combustible materials, including mantles, on the front wall must **not** be located within the dimensions shown in Figure 1.
- Combustible materials must not be located inside the areas defined by the standoffs in Figure 2. Also see Figure 7 in the **FRAMING** section.
- Non-combustible mantles may be installed provided the top of the mantle is not higher than the combustible limit. If a mantle is required above the combustible limit then **non-combustible** facing must be used up to the top of the mantle.

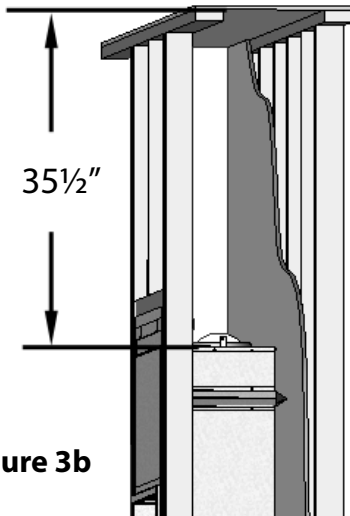


# MANTEL CLEARANCES



**Figure 3a**

Combustible mantels may be placed no closer to the Vision Vent Free Gas Fireplace opening than the distances shown in the Figure 3a side view, above.

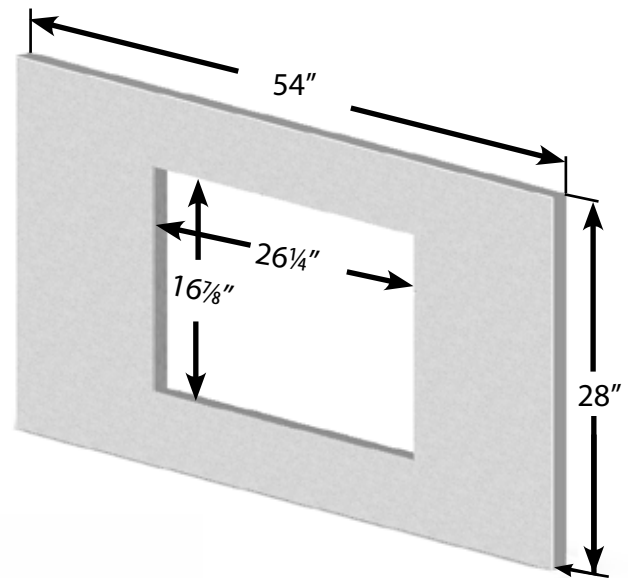


**Figure 3b**

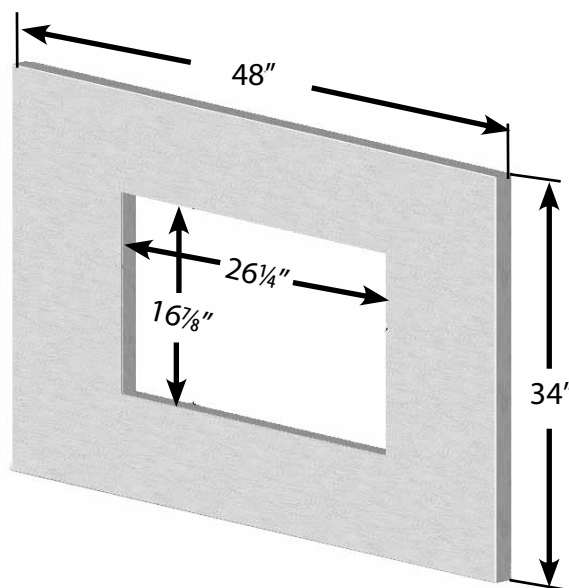
The fireplace may be raised off the floor provided the top of the fireplace is no closer to the top of the chase, or ceiling, than 35½ inches as shown in Figure 3b.

The optional European Home surrounds have an air slot in the bottom edge. The bottom of the surround must be 1" above the floor or any carpet. The dimensions of the two surrounds are shown in Figures 4a and 4b.

Consider these dimensions when planning the installation height of the Vision Vent Free Gas Fireplace.



**Figure 4a**



**Figure 4b**

## COMBUSTION AIR SUPPLY

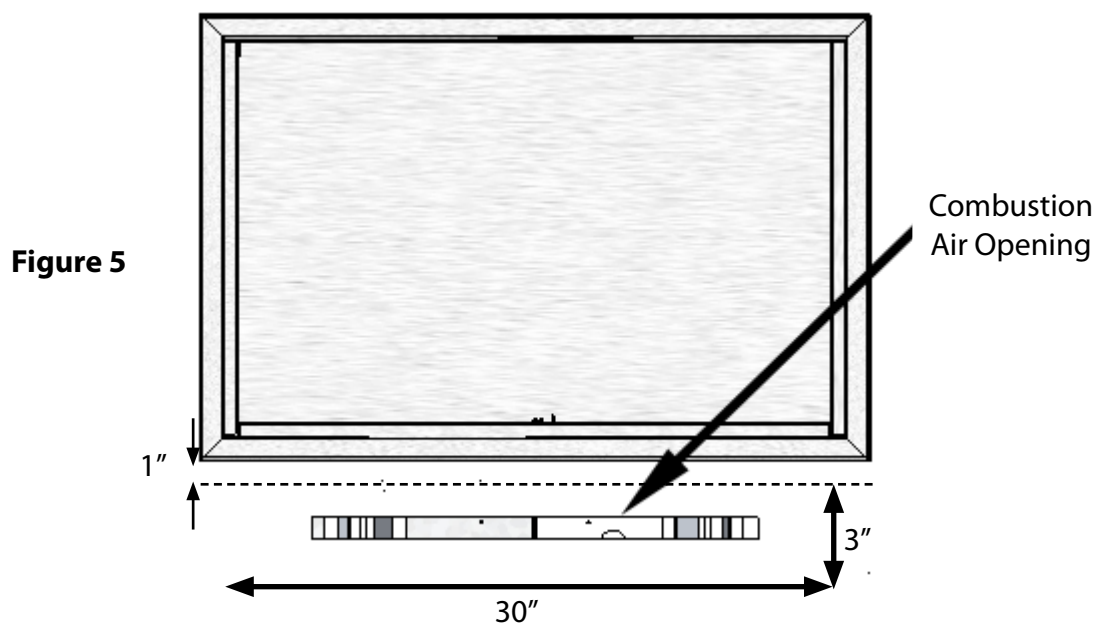
In addition to the air that moves through the firebox opening, combustion air **MUST** also be provided to the base of the flame in the Vision Vent Free Gas Fireplace using **either one of two** methods;

### Method 1- When using a European Home Surround

With this method, a minimum twenty square inch opening is cut in the wall face as shown in Figure 5.

When an optional European Home surround is mounted, this combustion air opening is hidden and air will flow through a cutout in the bottom of the surround.

This combustion air opening should be cut within the 3" by 30" dimensions shown in Figure 5. This 3" x 30" area begins 1" below the bottom of the lower frame trim.



## Method 2 - When NOT using Method 1

With this method, the combustion air supply is provided by doing **all** of the following:

- **Remove the left side combustion air cover plate.** The cover plate is on the lower left (as you face the fireplace) side of the Vision Vent Free Gas Fireplace.
- **Within two feet of the cover plate,** cut a twenty square inch, or greater, opening in the wall. This opening **must** be within the shaded area shown in Figure 6. and **must** be in the same room as the Vision Vent Free Gas Fireplace. Figure 6 shows the left and front opening areas.

If the opening is to be covered with a grille (not supplied), the grille must have a minimum free opening of 20 square inches. ***In all cases, the opening must be at the burner level.***

- **Allow air to flow freely** between your opening and the fireplace cabinet. The opening and the cabinet do not have to be connected by ducting but air must be able to flow freely between the opening and the cabinet. Any materials such as insulation which will impede this free flow of air ***must be removed.***

***If a combustion air supply is not implemented correctly, the life of Vision Vent Free Gas Fireplace components will be shortened.***

### CAUTION

Do not bring either outside air or air from another room/building level into the wall cavity - the combustion air supply and the flame must be at the same air pressure. While it may be tempting to design a combustion air supply which is connected to another room or level of your building, this mistake will create drafts and air movements that cause erratic fireplace operation.

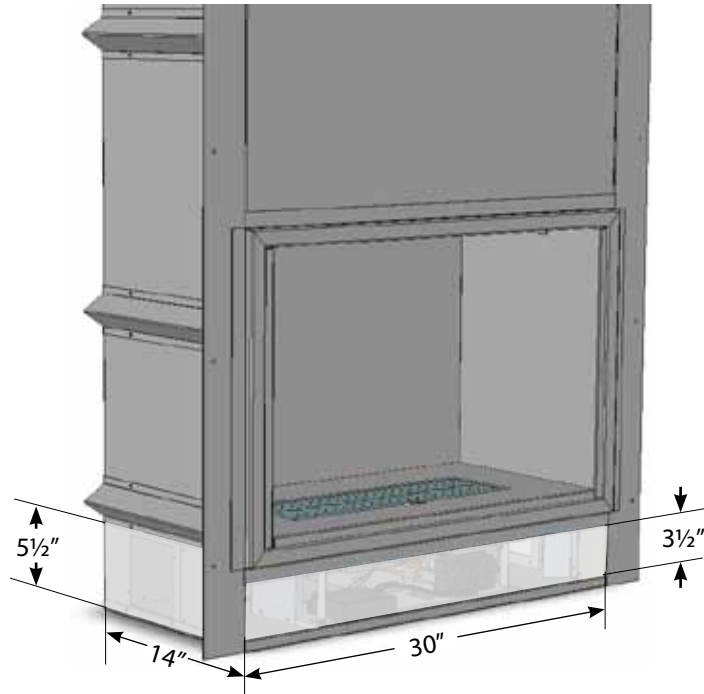


Figure 6

NOTE!

### Bringing in Outside (or “Make-up”) Air

An outside air supply and a combustion air opening serve two *different* purposes. Outside air ensures a fresh supply of air to the *room*; a combustion air opening ensures a fresh supply of air to the *flame*.

Many building code jurisdictions require that outside or “make-up” air be provided when installing a fireplace of this type. This requirement can be satisfied by the proper installation of an ‘outside air kit’ which is not provided. The final determination of the suitability of any particular kit must be made by the installer.

If an outside air supply is desired it should be *added to the room* in which the Vision Vent Free Gas Fireplace is installed, *not to the chase* enclosing the Vision Vent Free Gas Fireplace.

*If outside air is introduced into the chase, competing air pressures could compromise the operation of the Vision Vent Free Gas Fireplace.*

Whether or not you add an outside air supply to your room, **IN ALL CASES, YOU MUST ADD THE PROPER COMBUSTION AIR SUPPLY TO THE VISION VENT FREE GAS FIREPLACE!**

## FRAMING

When wooden framing is used around the Vision Vent Free Gas Fireplace it must be 2x4 framing **ONLY**.

Figure 7 shows the minimum chase opening of 33" wide, 46 1/4" high and 16" deep.

Figures 8, 9 and 10 show typical framing construction.

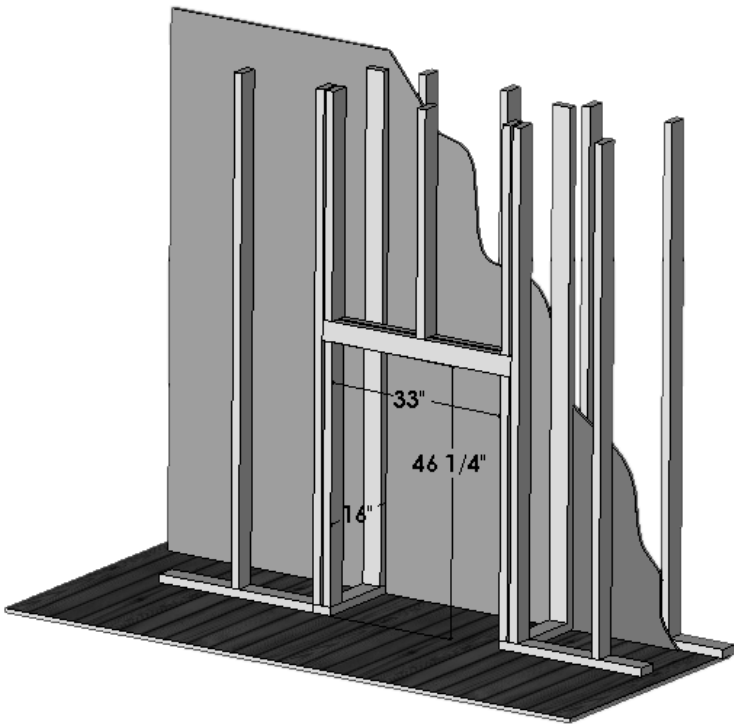


Figure 7

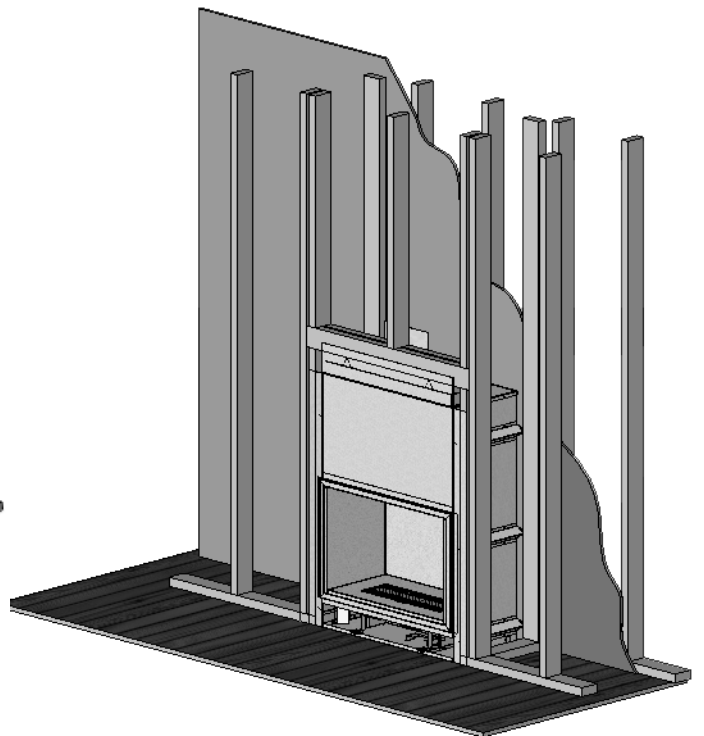


Figure 8



Figure 9

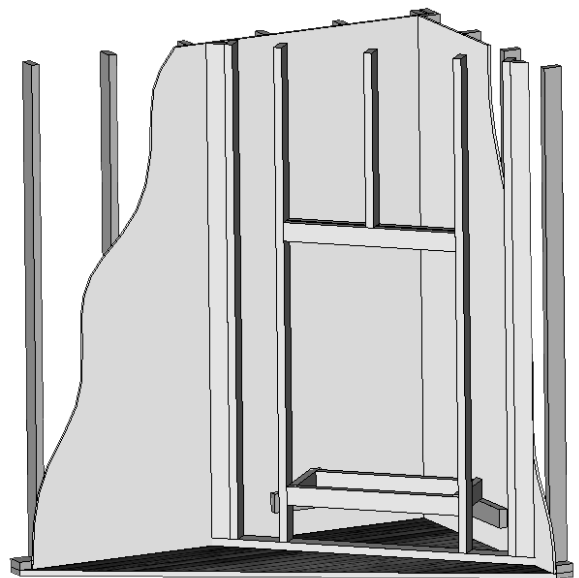


Figure 10

# INSTALLING THE FIREPLACE

After the framing has been completed, the fireplace cabinet can be installed. Secure the cabinet to the framing via the eleven holes in the nailing flange. Use the fasteners required by your local building code.

## GAS SUPPLY

Route the gas supply into the fireplace. The gas supply line must terminate with a male  $\frac{1}{2}$ " NPT pipe thread in the shaded area in Figure 11. Knock outs are provided on the back, sides and bottom of the fireplace for routing the gas supply. The gas supply piping should have a separate gas shutoff valve and a  $\frac{1}{8}$ " NPT plugged tapping up stream of the valve for reading pressure. The Vision Vent Free and its main control valve must be disconnected from the gas supply piping system during any pressure testing of that system at test pressures in excess of  $\frac{1}{2}$  psi (3.5 kPa). The Vision Vent Free must be isolated from the gas supply piping system by closing the main control valve during any pressure testing of the gas supply system at test pressures equal to or less than  $\frac{1}{2}$  psi (3.5 kPa).

**Note: This product must be installed by a licensed plumber or gasfitter when installed within the Commonwealth of Massachusetts.**

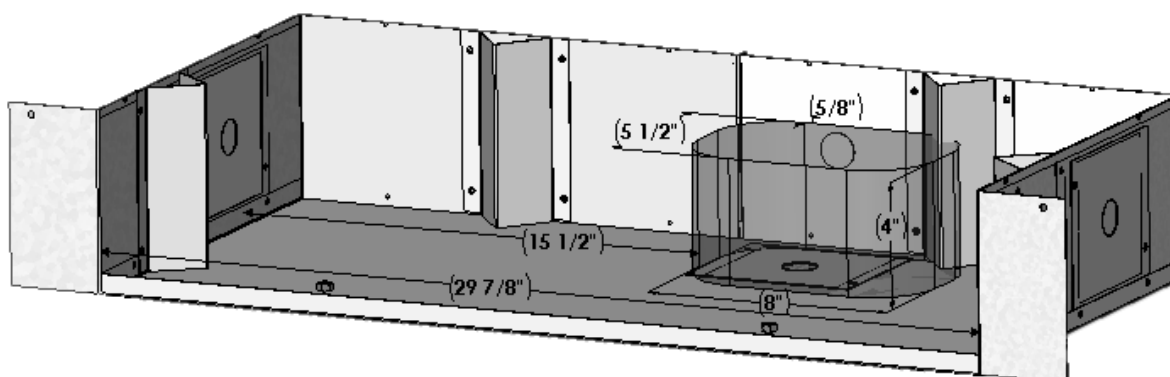


Figure 11

## FACING

After the gas supply has been routed the front wall or face can be finished.

Non-combustible material must be used in the gray area shown in Figure 12.

Conventional drywall may be used **OUTSIDE** of this area.

The joints can be finished with conventional joint compound and fiberglass mesh joint tape. See Figure 13, below.

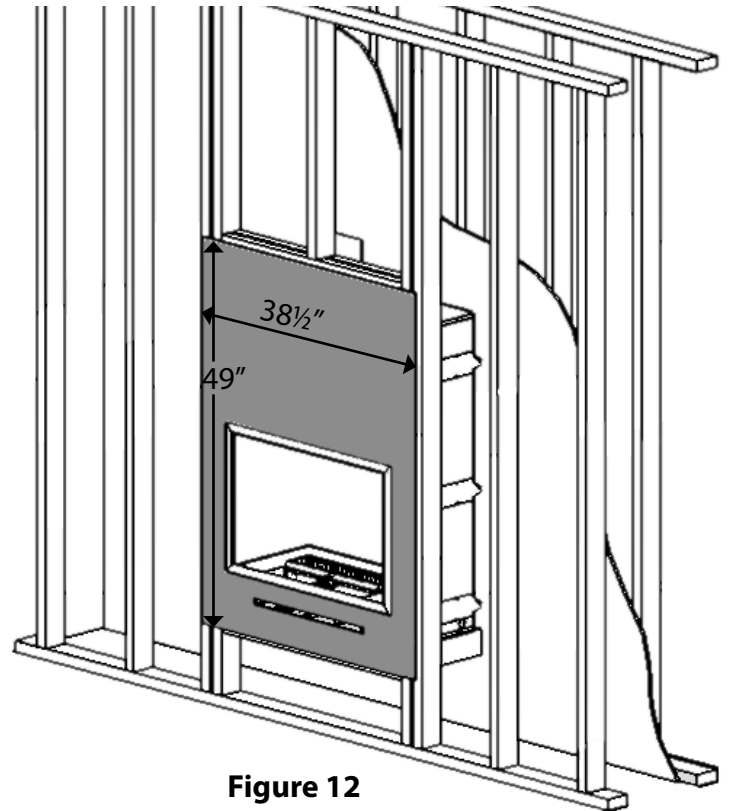


Figure 12

### *What is Non-combustible?*

*A given material is said to be non-combustible when it cannot catch fire and burn. For example, materials made entirely, or in combinations, of, stone, brick, concrete, tile, steel, plaster or glass are considered non-combustible.*

*The combustibility of a material can be tested per "ASTM E136-04 Standard Test Method for Behavior of Materials in a Vertical Tube Furnace at 750 Degrees C".*

*Note that 'fire-resistant' does NOT mean non-combustible.*

*For the purposes of the installation described in this Guide, those materials that have passed the ASTM E136-04 tests are considered to be non-combustible.*

*As of this writing, examples of wall materials that are reported by their manufacturers to be non-combustible (in accordance with ASTM E136-04) are:*

- James Hardie Building Products, Inc.:  
HardieBacker™ ¼" Cement Board
- U.S. Architectural Products, Inc.:  
Versaroc® Cement Bonded Particle Board  
Cem-Clad® Cement Panel

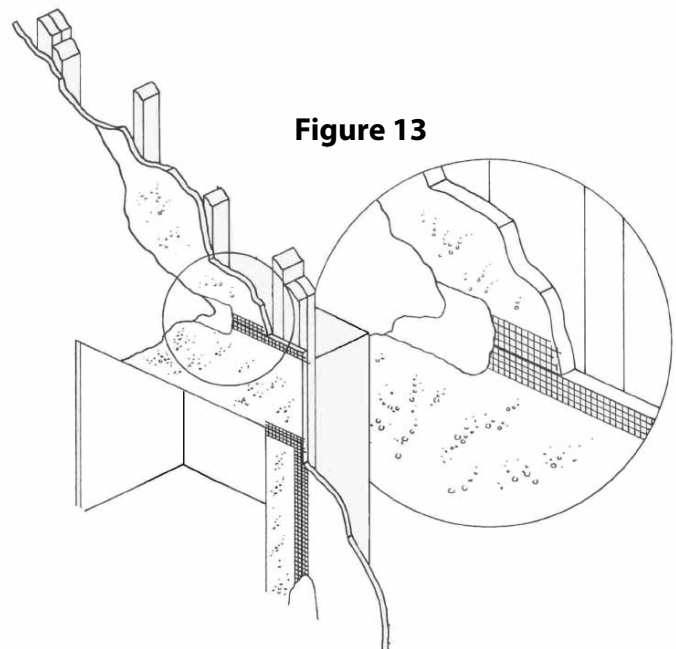
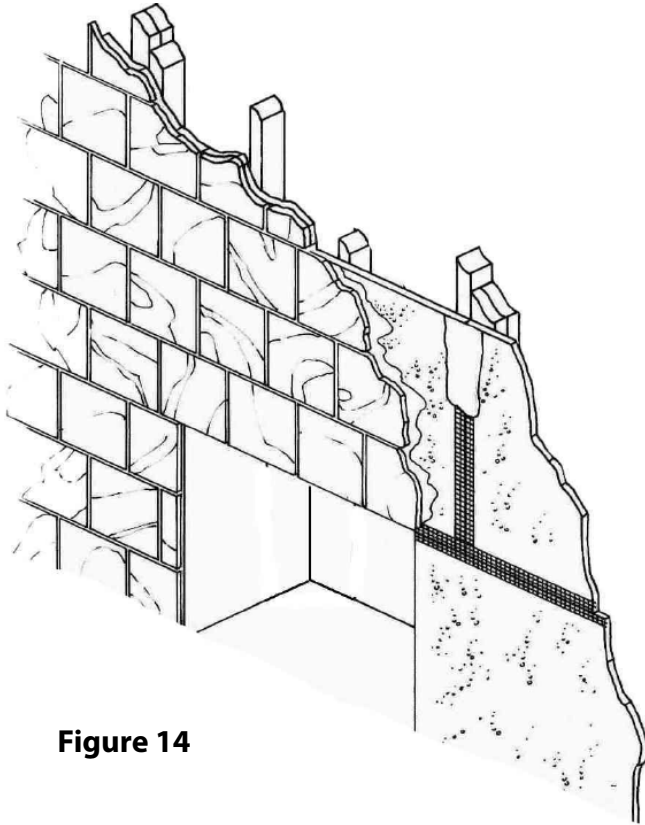


Figure 13

Non-combustible material such as stone or tile may be used as a facing. See Figure 14.

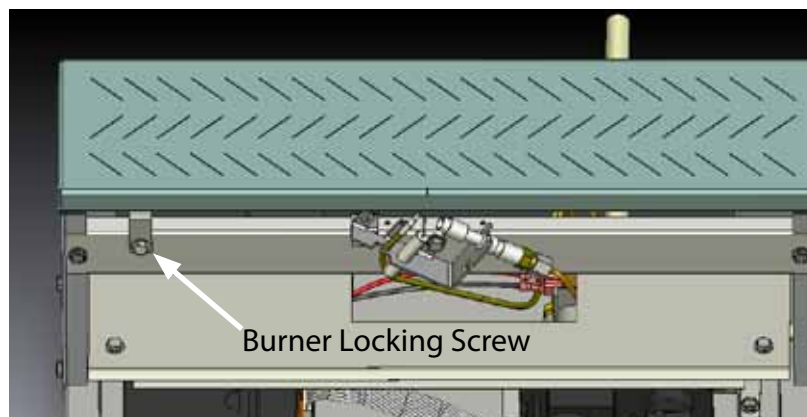


**Figure 14**

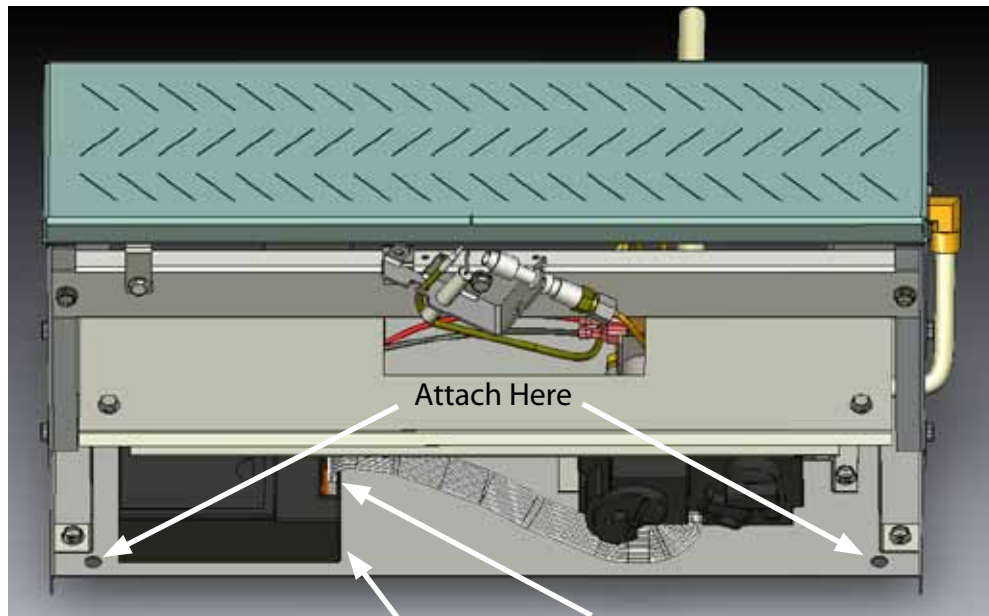
## **INSTALLING THE BURNER MODULE**

Remove the burner locking screw (shown in Figure 15) from the burner module. Slide the burner to the left and remove from the module.

**Figure 15**



Place the burner module in the fireplace and locate the two holes in the front of the module base on the two studs on the bottom of the fireplace. Fasten with the two nuts and washers. See Figure 16.



**Figure 16**

Connect AC adapter here

Connect optional wall control here

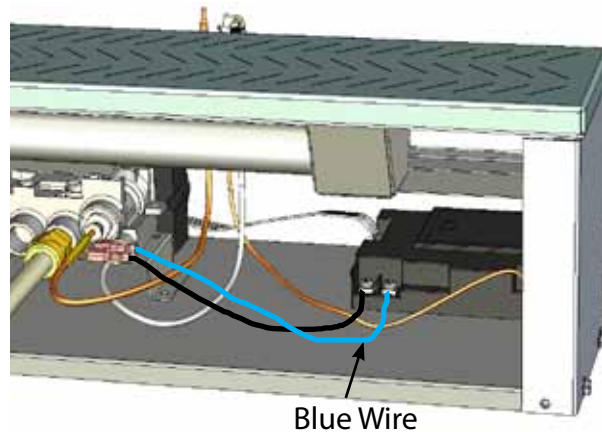
Ensure that the thermocouple wires are connected as shown in Figure 17.

Connect the flexible gas line from the valve to the gas supply pipe.

After the gas supply has been connected, open the main supply and check all of the fittings for gas leaks.

**Never use a flame to test for leaks.**

Replace the burner in the burner module. Ensure that the burner inlet tube is in the shutter box.



**Figure 17**

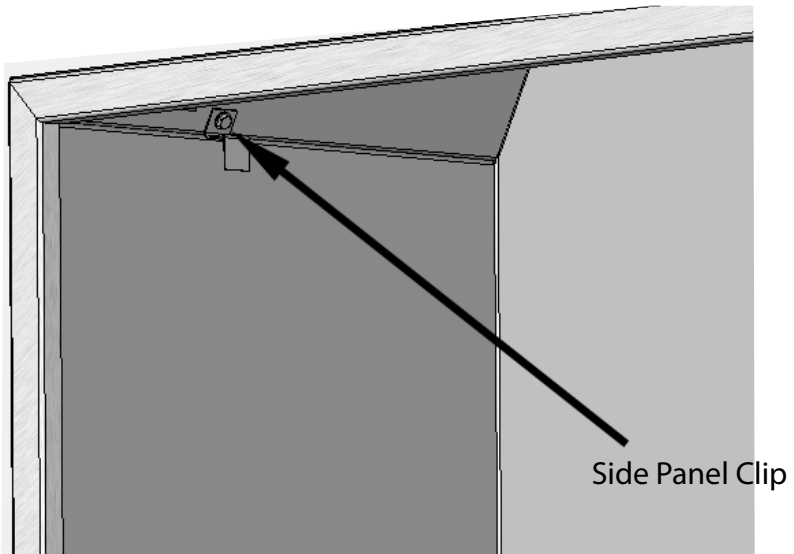
## CAUTION

Label all wires prior to disconnection when servicing controls. Wiring errors can cause improper and dangerous operation. Verify proper operation after servicing.

## PANEL INSTALLATION

Carefully unpack and lay out the four panels. Remove all plastic coating from the panels. Remove the side panel clips shown in Figure 18.

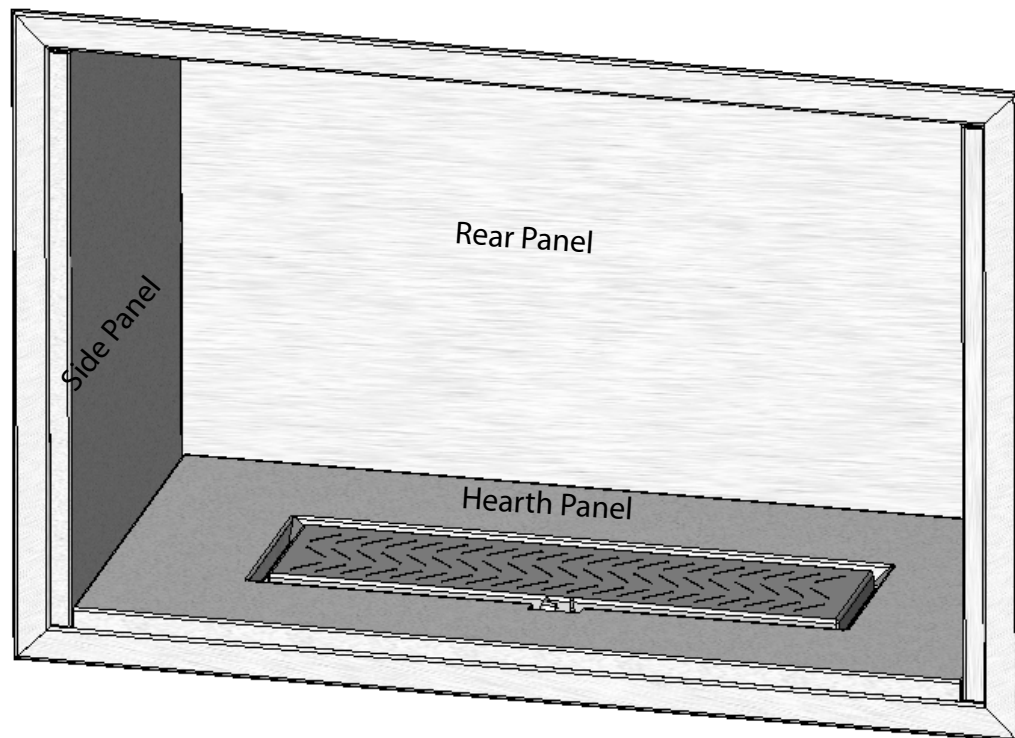
Figure 18



Remove the rear panel clips and place the rear panel at the back of the fireplace. Reinstall the rear panel clips. Place the side panels on each side of the fireplace.

Slide the side panels to the rear and install the panel clips to retain the side panels. Place the hearth panel in the fireplace with the small notch to the front over the pilot as shown in Figure 19.

Figure 19



**WARNING:** Failure to position the parts in accordance with these diagrams or failure to use only parts specifically approved with this heater may result in property damage or personal injury.

## STONE CONFIGURATION

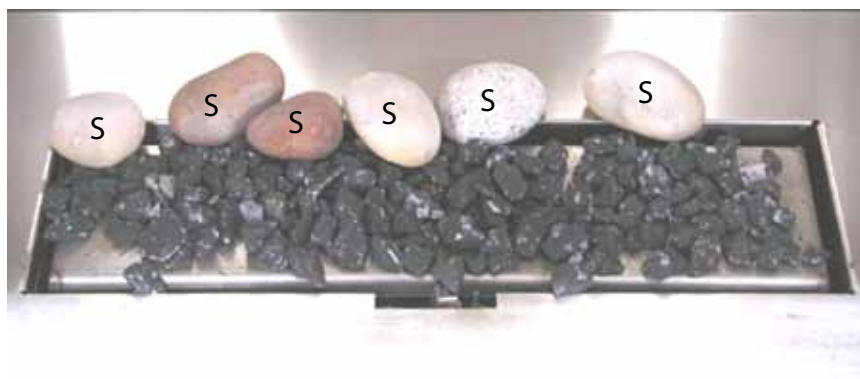
The Vision Vent Free Gas Fireplace can be operated with, or without, the decorative stones and/or embers. The following is the recommended stone/ember configuration. Slight differences in the placements are acceptable.

When using the stones and embers, begin by placing one layer of the embers evenly over the entire burner top as shown in Figure 20.



**Figure 20**

Sort your stones, by size, into sixteen small, three medium and four large. Place a row of six small stones along the rear edge of the burner as shown in Figure 21.

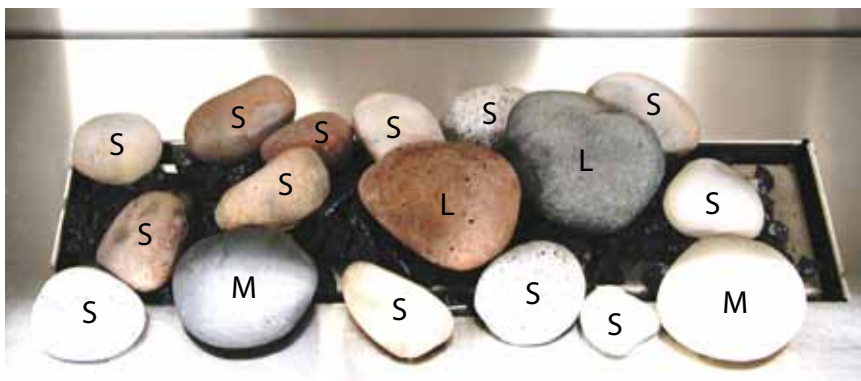


**Figure 21**



**Figure 22**

Next, place two large stones and three small stones on the burner as shown in Figure 22. Then place two medium and four small stones along the front edge of the burner as shown in Figure 23.



**Figure 23**



**Figure 24**

Finally, place the remaining two large, one medium and three small stones on top as shown in Figure 24.

## **WARNING**

The stones installation must be per these instructions. This heater must use only the stones provided by European Home. An excess amount of stones may adversely affect the performance of the heater. All previously applied loose material must be removed prior to reapplication.

## **SURROUNDS**

There are several surrounds for the Vision Vent Free Gas Fireplace. Ensure that the surround model is correct for the fireplace installation so the combustion air is not blocked. Attach the surround mounting brackets per the instructions included with the surround and hang the surround on the brackets.

# OPERATING INSTRUCTIONS

## FOR YOUR SAFETY READ BEFORE LIGHTING

**WARNING:** If you do not follow these instructions exactly, a fire or explosion may result causing property damage, personal injury or loss of life.

A. This heater is equipped with an ignition device which automatically lights the pilot. Do not try to light the pilot by hand.

B. BEFORE LIGHTING, smell all around the heater area for gas. Be sure to smell next to the floor because some gas is heavier than air and will settle on the floor.

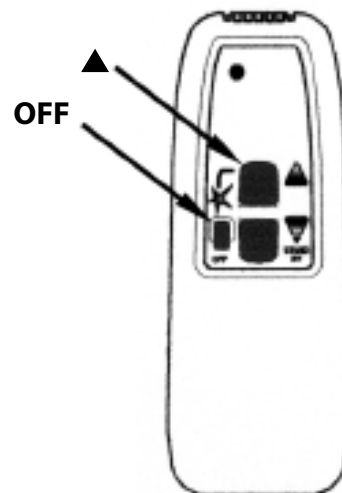
### WHAT TO DO IF YOU SMELL GAS

- Do not try to light any appliance.
- Do not touch any electric switch; do not use any phone in your building.
- Immediately call your gas supplier from a neighbor's phone. Follow the gas supplier's instructions.
- If you cannot reach your gas supplier, call the fire department.

C. Do not use this heater if any part has been under water. Immediately call a qualified service technician to inspect the heater and to replace any part of the control system and any gas control which has been under water.

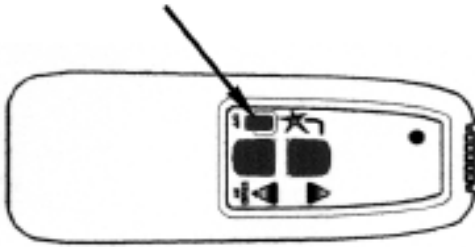
## LIGHTING THE FIRE

1. STOP! Read the safety information above.
2. This appliance is equipped with an ignition device which automatically lights the pilot. Do not try to light the pilot by hand.
3. Push the **OFF** button on the remote control to insure the heater is off.
4. Wait five (5) minutes to clear out any gas. Then smell for gas including near the floor. If you smell gas, STOP! Follow "B" in the Safety Information above. If you don't smell gas, go to the next step.
5. Press the **OFF** and ▲ buttons and simultaneously. Release the buttons once you hear a beeping noise. This acoustic signal tells you that the start sequence has begun. Further short signals will continue until main gas flows and the burner is lit. If the pilot or burner does not light, go back to Step 3, above.
6. Use the up and down arrows to adjust the flame height.



## TO TURN OFF THE HEATER

- 7) Push the **OFF** button on the remote control to turn the heater off.



## RESETTING THE SYSTEM

To reset the system:

1. press and hold the receiver reset button until you hear the second of two beeps then
2. release the reset button and, within twenty seconds,
3. press the ▼ button on the remote until you hear two confirming beeps

The receiver and remote are now each reset and ready for normal operation.

## MAINTENANCE

A qualified service agency should conduct an annual inspection and maintenance of your Vision Vent Free Fireplace and the installation to keep it running safely. The following procedures should be performed only by a qualified service person. The gas supply should be turned off whenever a maintenance procedure is performed. All parts of the fireplace that are removed for servicing must be replaced prior to operation.

### **Cleaning the Stones and Burner.**

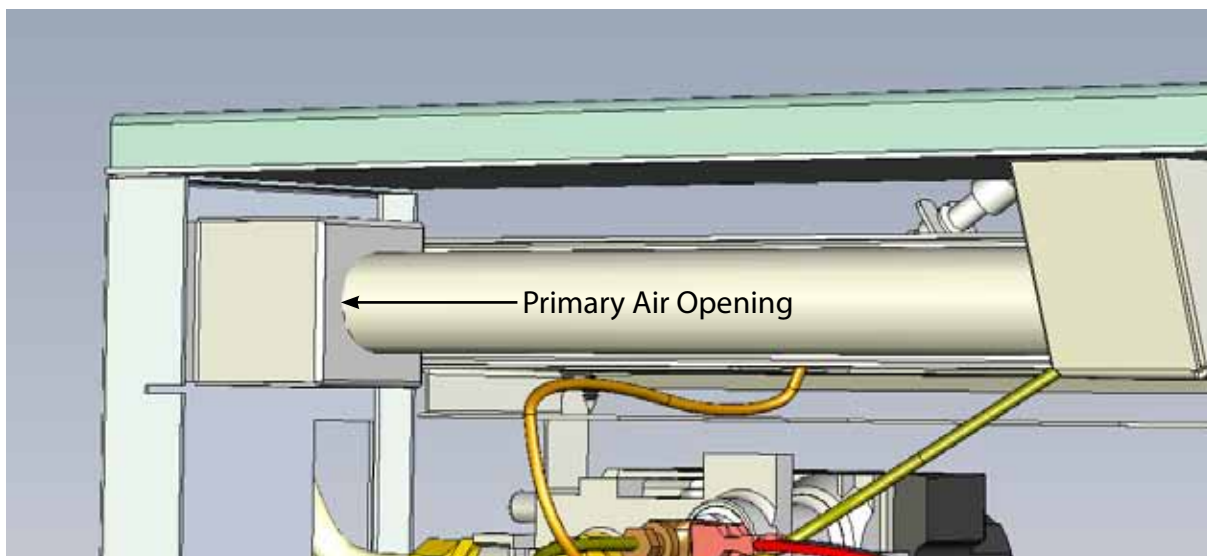
With all parts of the fireplace at room temperature, carefully remove and clean the stones with a soft bristled brush. Never use a vacuum cleaner to clean the stones.

Clean the burner surface with a brush and clean the rest of the burner module, including the pilot burner, with a vacuum cleaner. Ensure that the Primary Air Opening (Fig. 25, between the orifice box and burner inlet tube) remains free of dust or debris. This opening may be cleaned with a vacuum cleaner or brush.

**WARNING**

**Failure to keep the primary air opening of the burner clean may result in sooting and property damage.**

Replace the components per the instructions in the **INSTALLING THE BURNER MODULE** section.



**Figure 25**

# TROUBLESHOOTING

OBSERVED PROBLEM:	POSSIBLE CAUSE:	REMEDY:
<b>A.</b> No transmission (motor does not turn)	1. Receiver must learn new code.	1. Reset system as above.
	2. No power.	2. Confirm power.
	3. The receiver is surrounded by metal, reducing the transmission range.	3. Change the position of the antenna.
	4. Receiver	4. Replace receiver and reprogram code as above.
	5. Transmitter	5. Replace the transmitter and reprogram code as above.
	6. Wiring at valve damaged.	6. Replace valve.
	7. Bent pins on 8 wire connector.	7. Straighten pins on 8 wire connector.
<b>B.</b> No ignition; no tone	1. No power.	1. Confirm power.
	2. Receiver	2. Replace the transmitter and reprogram code as above.
<b>C.</b> No ignition; one 5 second continuous tone (7 short beeps might be heard prior to the 5 second tone)	1. Loose wire.	1. Secure wire.
	2. Receiver	2. Replace receiver and reprogram code as above.
	3. Bent pins on 8 wire connector.	3. Straighten pins on 8 wire connector.
	4. Valve	4. Replace valve.
<b>D.</b> No pilot flame and control continues to spark	1. Air in the pilot supply line.	1. Purge the line or start ignition several times.
	2. No spark at pilot burner.	2. Check spark gap; check wiring connection. Check for spark in location along cable.
	3. Valve	3. Replace valve. Do not over tighten the thermocouple.

OBSERVED PROBLEM:	POSSIBLE CAUSE:	REMEDY:
<b>D.</b> No pilot flame and control continues to spark	4. Over tightened thermocouple.	4. Replace valve and thermocouple interrupter.
	5. Receiver	5. Replace receiver and reprogram code as above.
<b>E.</b> Pilot is lit and control continues to spark. Valve shuts off after 10-30 seconds. Valve operates manually.	1. Receiver	1. Replace receiver and reprogram code as above.
<b>F.</b> Pilot is lit and sparking stops. Valve shuts off after 10-60 seconds. Valve does not operate manually.	1. Not enough voltage generated from the thermocouple or too much resistance in the circuit.	1. Use a digital multimeter set to the mV range and measure the voltage between the spade connector closest to the thermocouple (-) and thermocouple tube (+) itself. The reading should be 21-30 mV.
	2. Thermocouple	2. Replace thermocouple.
	3. Low inlet pressure.	3. Confirm regulator pressure and sizing. Replace if necessary.
	4. Valve	4. Replace valve. Do not over-tighten the thermocouple.
<b>G.</b> Pilot flame lights but there is no main gas flow.	1. Manual override knob is in MAN position.	1. Turn manual override knob to ON position.
	2. Valve turned down to pilot flow.	2. Turn flame to high fire by pressing up button on remote control.
	3. Low inlet pressure.	3. Confirm regulator pressure, and sizing. Replace valve if necessary.
	4. Valve.	4. Replace valve.



Make a periodic visual inspection of the pilot and main burner flames.  
The flames should look similar to those in the picture above.

### **VISION VENT FREE PARTS LIST**

Burner Module, NG	V-VF-BM-NG-01
Pilot Assembly	V-VF-PA-01
Stainless Liner Kit	V-SLK-01
Small Stainless Surround	V-SSS-01
Large Stainless Surround	V-LSS-01
Small Stone Surround	V-SST-01
Large Stone Surround	V-LST-01

For replacement parts and customer service, contact:

### **EUROPEAN HOME**

+1 (781) 324-8383

**EUROPEAN HOME**

a division of Europa Ja, Inc.

376 Washington St.

Suite 203

Malden, MA 02148

tel: 781/324-8383

fax: 781/324-8384

[www.europeanhome.com](http://www.europeanhome.com)