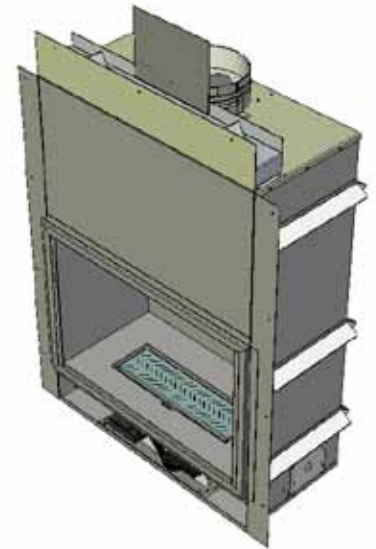
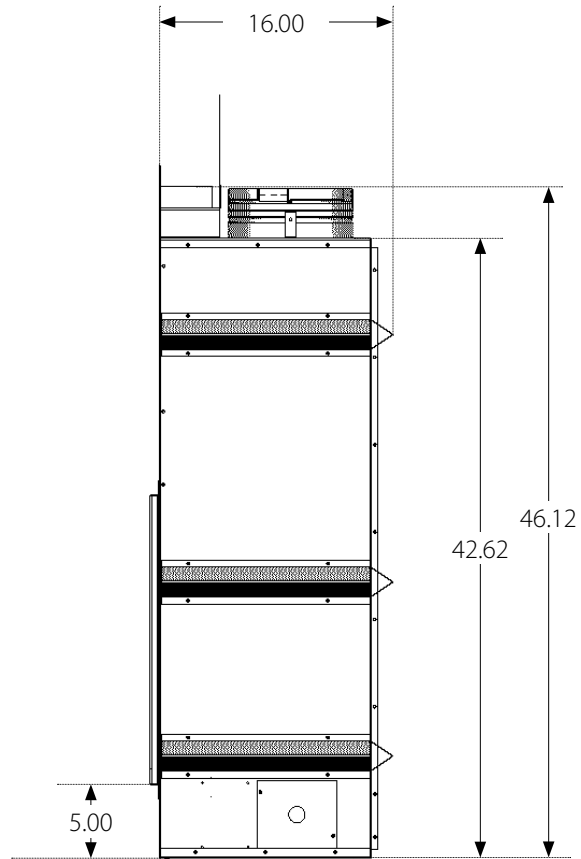
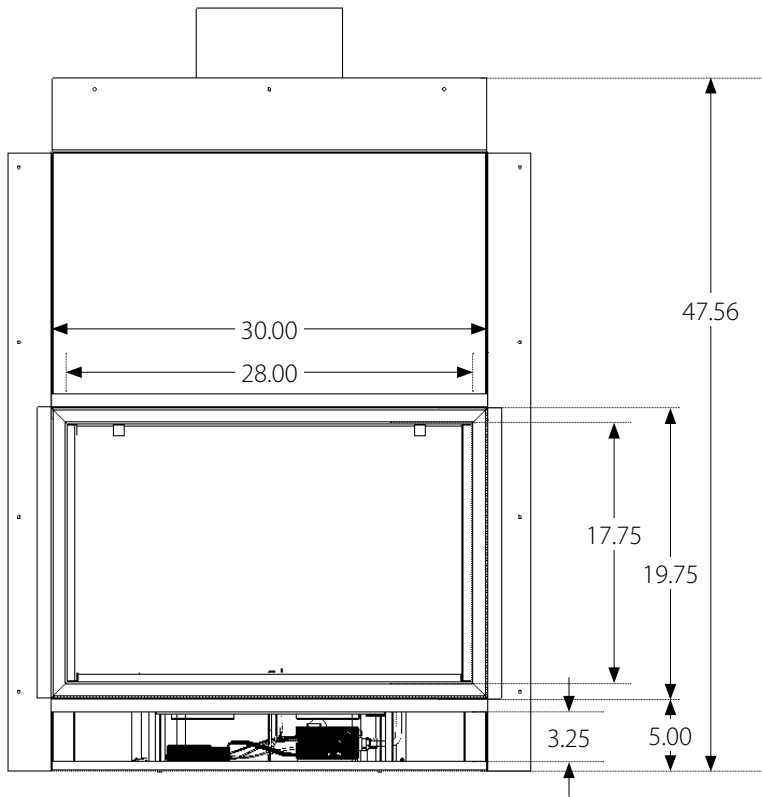


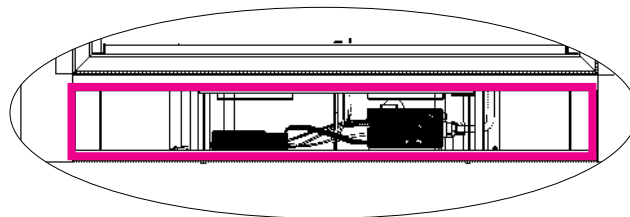
all dimensions in inches,  $\pm 0.20$



- Requires 8" dia. Type B venting.
- Only vertical venting is allowed.
- Venting must be at least 10' high.
- Requires a site-built combustion air inlet.
- Preferred air inlet shown outlined, below. Consult with manufacturer *before* using alternative air inlet placements.

A	Rough Opening Width	33"
B	Rough Opening Height	46¼"
C	Rough Opening Depth	16"
D	Non-combustible Zone Width	38½"
E	Non-combustible Zone Height	49"

all dimensions in inches, -0.0



Preferred Combustion Air Inlet

