

GAS STONES WITH FUSION BASKET

Installation Guide



WARNING: If the information in these instructions is not followed exactly, a fire or explosion may result causing property damage, personal injury or loss of life.

Do not store or use gasoline or other flammable vapors and liquids in the vicinity of this or any other appliance. Installation and service must be performed by a qualified installer, service agency or the gas supplier.

WHAT TO DO IF YOU SMELL GAS

- Do not try to light any appliance.
- Do not touch any electrical switch; do not use any phone in your building.
- Immediately call your gas supplier from a neighbor's phone. Follow the gas supplier's instructions.
- If you cannot reach your gas supplier, call the fire department.



OMNI-Test Laboratories, Inc.

Report #284-L-02c-5

AVERTISSEMENT: Assurez-vous de bien suivre les instructions données dans cette notice pour réduire au minimum le risque d'incendie ou d'explosion ou pour éviter tout dommage matériel, toute blessure ou la mort.

- Ne pas entreposer ni utiliser d'essence ni d'autres vapeurs ou liquides inflammables dans le voisinage de cet appareil ou de tout autre appareil.
- QUE FAIRE SI VOUS SENTEZ UNE ODEUR DE GAZ:
 - Ne pas tenter d'allumer d'appareil.
 - Ne touchez à aucun interrupteur. Ne pas vous servir des téléphones se trouvant dans le bâtiment où vous trouvez.
 - Appelez immédiatement votre fournisseur de gaz depuis un voisin. Suivez les instructions du fournisseur.
 - Si vous ne pouvez rejoindre le fournisseur de gaz, appelez le service des incendies.
- L'installation et l'entretien doivent être assurés par un installateur ou un service d'entretien qualifié ou par le fournisseur de gaz.

AVERTISSEMENT: Risque de dommages ou de blessures si les pièces ne sont pas installées conformément à ces schémas et ou si des pièces autres que celles spécifiquement approuvées avec cet appareil sont utilisées.

Les dégagements sont conformes aux codes d'installation locaux et aux exigences du fournisseur de gaz.

NE PAS UTILISER AVEC DES PORTES EN VERRE.

Ne pas se servir de cet appareil s'il a été plongé, dans l'eau, même partiellement. Faire inspecter l'appareil par un technicien qualifié et remplacer toute partie du système de commande et toute commande qui ont été plongée dans l'eau.

TABLE OF CONTENTS

Important Safety Information	4
Specifications and Dimensions	7
Before You Begin	8
Fireplace Requirements	9
Installing the Burner	10
Gas Supply	10
Stone Configuration	12
Operating Instructions	15
Maintenance	17
Troubleshooting	18
Parts List	20
Notes	21

IMPORTANT SAFETY INFORMATION

1. This appliance must be installed only in a solid-fuel burning fireplace with a working flue and constructed of noncombustible material.
2. A fireplace screen must be in place when the appliance is operating and must provide for the flow of combustion air.
3. The installation and the provision for combustion and ventilation air must conform with local codes or, in the absence of local codes, with the *National Fuel Gas Code, ANSI Z223.1* or the *Canadian Installation Code, CAN/CGA B149.1*.
4. The appliance and its appliance main gas valve must be disconnected from the gas supply piping system during any pressure testing of that system at test pressures in excess of ½ psi (3.5 kPa).
5. The appliance must be isolated from the gas supply piping system by closing its equipment shutoff valve during any pressure testing of the gas supply system at test pressures equal to or less than ½ psi (3.5 kPa).
6. The appliance area must be kept clear and free from combustible materials, gasoline and other flammable vapors and liquids.
7. Do not use this appliance if any part has been under water. Immediately call a qualified service technician to inspect the appliance and to replace any part of the control system and any gas control which has been under water.
8. Solid fuels shall not be burned in a fireplace where a decorative appliance is installed.
9. This appliance is equipped for use with natural gas or propane and cannot be converted to the other fuel.
10. This appliance has been certified by OMNI-Test Laboratories, Inc. to ANSI Z21.60a-2003• CSA 2.26a-2003 Decorative Appliances for Installation in Solid-Fuel Burning Fireplaces and CAN1-2.17-M91, Gas-Fired Appliances for Use At High Altitudes.
11. This appliance is approved for installation in the Commonwealth of Massachusetts. The Board of State Examiners of Plumbers and Gas Fitters has issued approval number G3-1209-252 for this appliance.
12. This appliance is approved for installation in New York City. The Department of Buildings has issued MEA number 25-06-E for this appliance.



Vision Gas Burner Module, Model VBM-NG-02

S/N _____

Vision Gas Burner Module, Model VBM-LP-02

This appliance is equipped for:	<input type="checkbox"/> Natural Gas/Gaz Naturel	<input type="checkbox"/> Propane	Cet appareil est équipé pour:
Input Rating Btu/hr	42,000	43,500	Debit Calorifique
Min. Input (Btu/hr)	27,000	27,000	Puissance Minimum
Orifice (DMS)	6 Port #55	#48	L'injecteur
Manifold Press.	4.0"/1.0kPa	10"/2.5kPa	Press. a la Tubulure
Min. Supply Press.	4.0"/1.0kPa	11"/2.7kPa	Press. D'Arrivée Min.
Max. Supply Press.	7.0"/1.7kPa	13"/3.2kPa	Press. D'Arrivée Max.

These burner modules are certified by OMNI-Test Laboratories to "ANSI Z21.50b-2005, CSA 2.22b-2005 and CGA 2.17-M91 Vented Gas Fireplaces" when installed in the Vision Gas Fireplace (Report #284-F-01-5) and "ANSI Z21.60b-2004, CSA 2.28b-2004 and CGA 2.17-M91 Decorative Gas Appliances for Installation in Solid Fuel Burning Fireplaces" when installed in the Gas Stones with Fusion Basket (Report #284-L-02c-5).

Ces modules de brûleur sont certifiés par les laboratoires OMNI-Test (OMNI-Test Laboratories) conformes aux normes "ANSI Z21.50b-2005, CSA 2.22b-2005 et CGA 2.17-M91 pour les foyers à gaz ventilés" lorsqu'ils sont installés dans le foyer à gaz Vision (Rapport #284-F-01-5) et conformes aux normes "ANSI Z21.60b-2004, CSA 2.28b-2004 et CGA 2.17-M91 pour les appareils à gaz décoratifs pour une installation dans les foyers alimentés au combustible solide" lorsqu'ils sont installés dans le foyer Gas Stones with Fusion Basket (Rapport #284-L-02c-5).

This appliance equipped only for altitudes 0-2000 feet (0-610m) in the USA and 0-4500 feet (0-1370m) in Canada without change. Cet appareil n'est équipé que pour les altitudes de 0 à 610 m (0 à 2000 pi) aux Etats-Unis et 0 à 1370 m (0 à 4500 pi) au Canada sans modification.

This appliance must be installed in accordance with local codes, if any; if none, follow the ANSI Z223.1, or CSA-B149.1. Installer l'appareil selon les codes ou règlements locaux; ou, en l'absence de tels règlements, selon les codes d'installation ANSI Z223.1 ou CSA-B149.1 en vigueur.

Tested & Listed By  Portland Oregon USA
 OMNI-Test Laboratories, Inc.
 Vision Gas Fireplace
 Report #284-F-01-5
 Gas Stones with Fusion Basket
 Report #284-L-02c-5
 Manufactured by
 European Home
 376 Washington Street
 Malden, MA 02148
 tel: (781) 324-8383

CAUTION: Hot while in operation. Do not touch. Severe burns may result. Keep children, clothing, furniture, gasoline and other liquids having flammable vapors away.

ATTENTION: L'appareil est chaud lorsqu'il fonctionne. Ne pas toucher l'appareil. Risque de brûlures graves surveiller les enfants. Garder les vêtements, les meubles, l'essence ou autres liquides produisant des vapeurs inflammables loin de l'appareil.

WARNING: Improper installation, adjustment, alteration, service or maintenance can cause injury or property damage. Refer to the owner's information manual provided with this appliance. For assistance or additional information consult a qualified installer, service agency or the gas supplier.

AVERTISSEMENT: Une installation, un réglage, une modification, une réparation ou un entretien mal effectué peut causer des dommages matériels ou des blessures. Voir la notice de l'utilisateur qui accompagne l'appareil. Pour de l'aide ou des renseignements supplémentaires, consultez un installateur, un technicien agréé ou le fournisseur de gaz.

Keep burner and control compartment clean. See installation and operating instructions accompanying appliance.

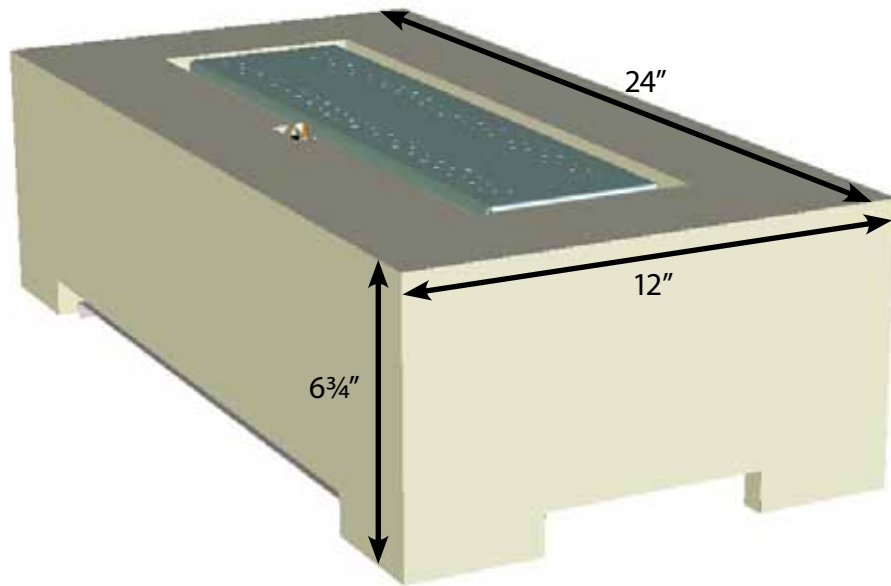
S'assurer que le brûleur et le compartiment des commandes sont propres. Voir les instructions d'installation et d'utilisation qui accompagnent l'appareil.

IGN

Gas Stones with Fusion Basket Listing Label

SPECIFICATIONS and DIMENSIONS

	<i>Natural Gas</i>	<i>Propane (LP)</i>
Manifold Pressure:	4.0" (1.0 kPa)	10.0" (2.5 kPa)
Maximum Supply Pressure:	7.0" (1.7 kPa)	13.0" (3.2 kPa)
Minimum Supply Pressure:	4.0" (1.0 kPa)	11.0" (2.7 kPa)
Orifice Size:	6 Port #55 DMS	#48 DMS
Canadian Efficiency P.4:	32%	39%
High Fire Input:	42,000 BTU/hr.	43,500 BTU/hr.
Low Fire Input:	27,000 BTU/hr.	27,000 BTU/hr.
Length:	24 in (60.9 cm)	
Depth:	12 in (30.4 cm)	
Height:	6¾ in (17.1 cm)	



Gas Stones with Fusion Basket

BEFORE YOU BEGIN

Before starting the installation of your Gas Stones with Fusion Basket be sure to have the following tools and supplies:

- Adjustable wrench
- Phillips and straight-blade screwdrivers
- Tape measure and framing square
- Safety glasses and gloves
- Manometer
- Leak detection fluid (non-corrosive) or gas detector

NOTE!

Reset the Gas Stones with Fusion Basket before the first fire.

See **Resetting the System** under **OPERATING INSTRUCTIONS** for details.

FIREPLACE REQUIREMENTS

Your Gas Stones with Fusion Basket must sit fully inside your fireplace so that it properly drafts up the chimney flue.

Be certain that the burner of your Gas Stones with Fusion Basket is behind the fireplace lintel. See Figure 1.

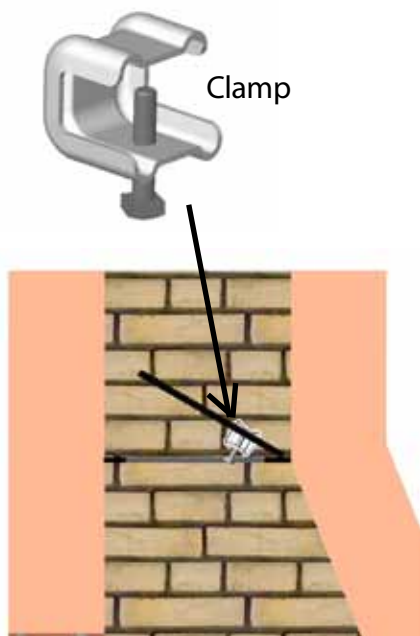
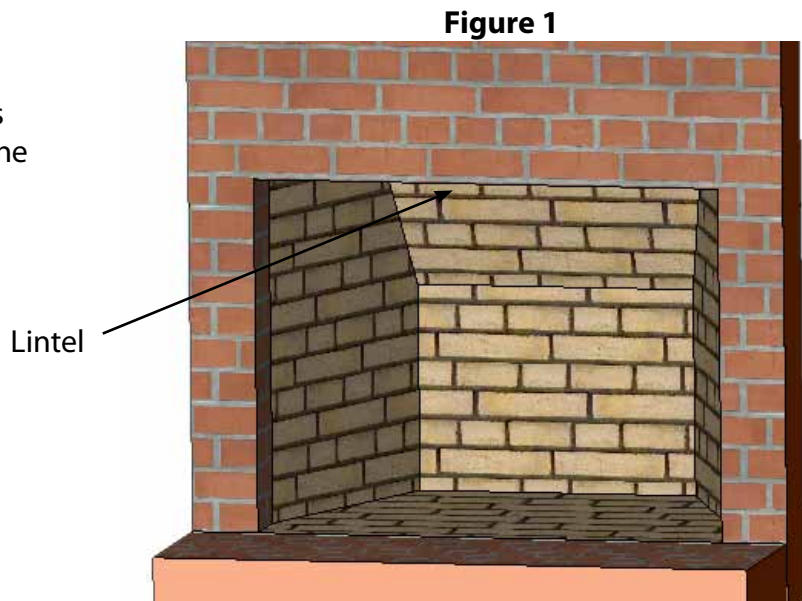


Figure 2

A minimum free opening of 50 square inches must be provided by the chimney or damper to vent the flue gases. The chimney damper must be fixed with the clamp provided to maintain the minimum free opening. See Figure 2.

Note: The Commonwealth of Massachusetts requires that the damper be removed or welded in the fully open position.

MANTEL CLEARANCES

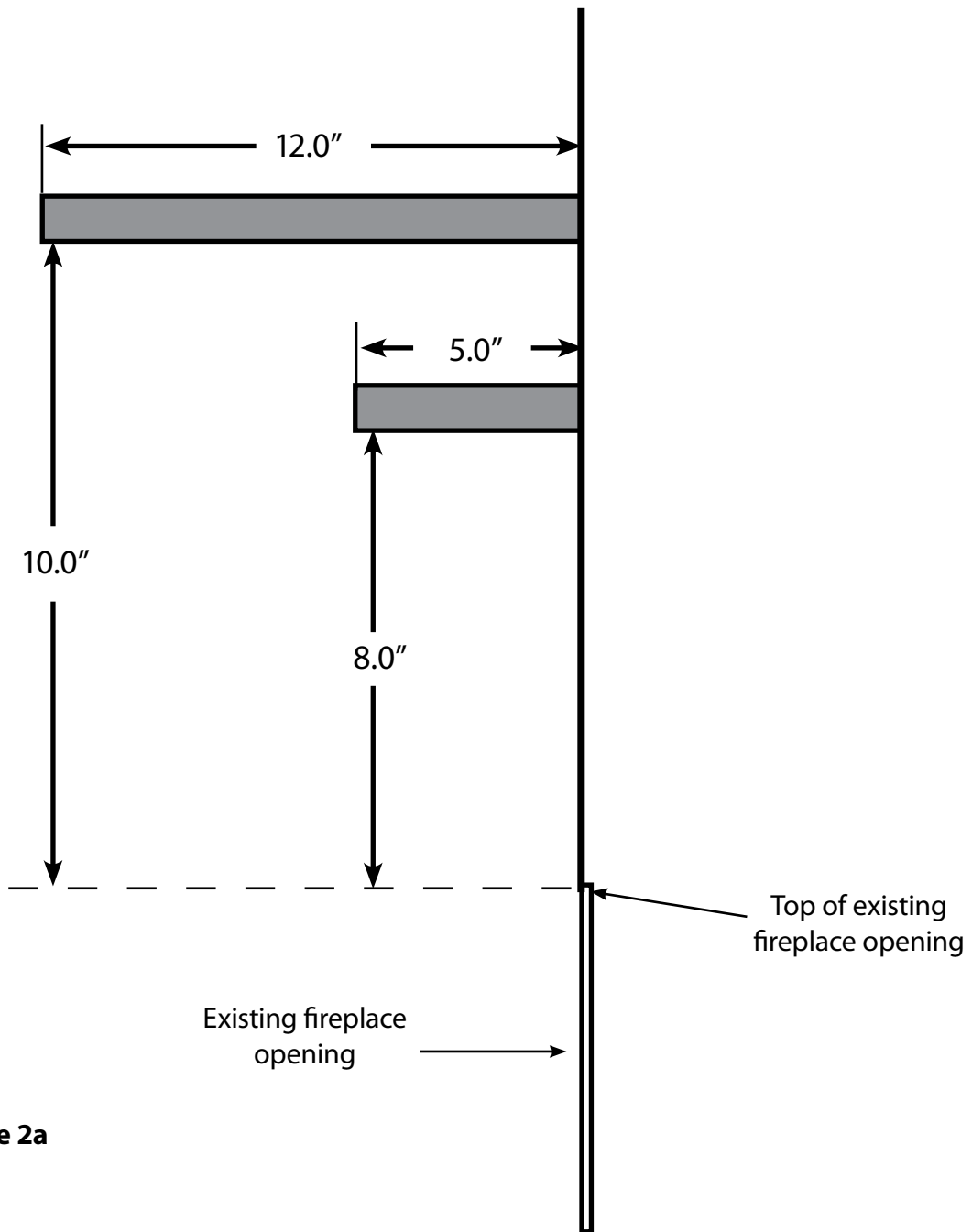


Figure 2a

Combustible mantels may be no closer to the fireplace opening than the distances shown in the Figure 2a side view, above.

INSTALLING THE BURNER

Connect the blue wire to the control module and thermocouple lead as shown in Figure 3.

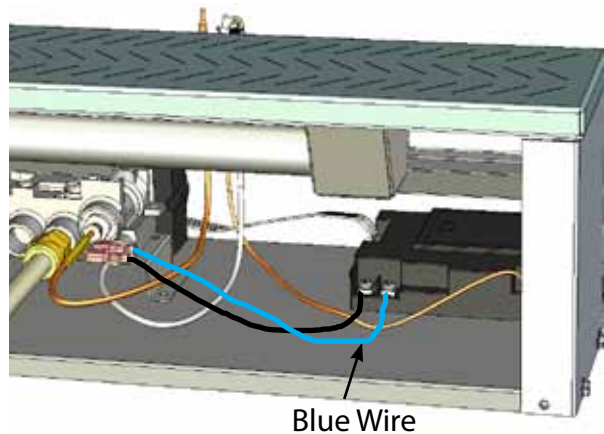


Figure 3

GAS SUPPLY

Place the burner module in the center of the fireplace and connect the gas supply to the flexible gas supply connector provided with the burner. The gas supply line must terminate with a male $\frac{1}{2}$ " NPT pipe thread in the rear of the fireplace. The gas supply piping should have a separate gas shutoff valve and a $\frac{1}{8}$ " NPT plugged tapping up stream of the valve. The Gas Stones with Fusion Basket and its main control valve must be disconnected from the gas supply piping system during any pressure testing of that system at test pressures in excess of $\frac{1}{2}$ psi (3.5 kPa). The Gas Stones with Fusion Basket must be isolated from the gas supply piping system by closing the main control valve during any pressure testing of the gas supply system at test pressures equal to or less than $\frac{1}{2}$ psi (3.5 kPa).

Warning: This product must be installed by a licensed plumber or gas fitter when installed within the Commonwealth of Massachusetts.

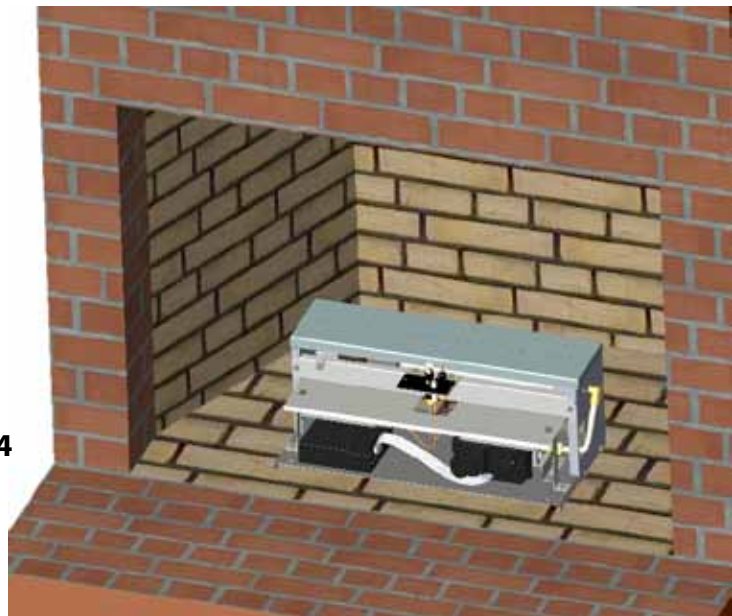


Figure 4

After the gas supply has been connected, open the main supply and apply a soapy water solution to all the fittings to check for gas leaks. **Never use a flame to test for leaks.** If you are installing a propane burner, check that the air shutter (see Figure 5) is in the open position. Replace the burner in the burner module. Ensure that the burner inlet tube is in the shutter box.

Air shutter shown in the open position
(for propane only)

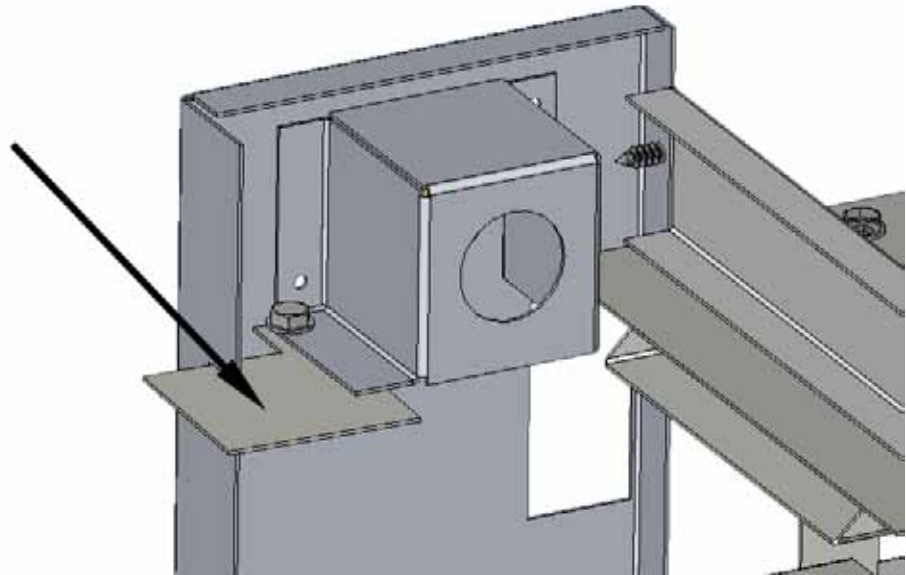


Figure 5

Place the Fusion Basket over the burner so the burner is centered in the opening in the Fusion Basket as in Figure 6.



Figure 6

STONE CONFIGURATION

The Gas Stones with Fusion Basket can be operated with, or without, the decorative stones and/or embers. The following is the recommended configuration. Slight differences in the placements are acceptable.

When using the stones and embers, begin by placing one layer of the embers evenly over the entire burner top as shown in Figure 7.



Figure 7

Sort your stones, by size, into sixteen small, three medium and four large. Place a row of six small stones along the rear edge of the burner as shown in Figure 8.



Figure 8



Figure 9

Next, place two large stones and three small stones on the burner as shown in Figure 9. Then place two medium and four small stones along the front edge of the burner as shown in Figure 10.



Figure 10



Figure 11

Finally, place the remaining two large, one medium and three small stones on top as shown in Figure 11.

OPERATING INSTRUCTIONS

FOR YOUR SAFETY READ BEFORE LIGHTING!

WARNING: If you do not follow these instructions exactly, a fire or explosion may result causing property damage, personal injury or loss of life.

- A. This appliance is equipped with an ignition device which automatically lights the pilot. Do not try to light the pilot by hand.
- B. BEFORE LIGHTING smell all around the appliance area for gas. Be sure to smell next to the floor because some gas is heavier than air and will settle on the floor.

WHAT TO DO IF YOU SMELL GAS

- Do not try to light any appliance.
- Do not touch any electric switch; do not use any phone in your building.
- Immediately call your gas supplier from a neighbor's phone. Follow the gas supplier's instructions
- If you cannot reach your gas supplier, call the fire department.

- C. Do not use this appliance if any part has been under water. Immediately call a qualified service technician to inspect the appliance and to replace any part of the control system and any gas control which has been under water.

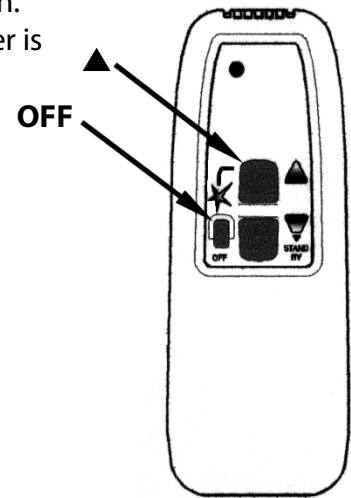
The Gas Stones with Fusion Basket has two safety features which affect the operation:

- 1) two-button child safety ignition
- 2) 45 second safety timer

The safety ignition requires that two buttons be depressed to begin the ignition sequence and the timer requires that 45 seconds elapse between start attempts.

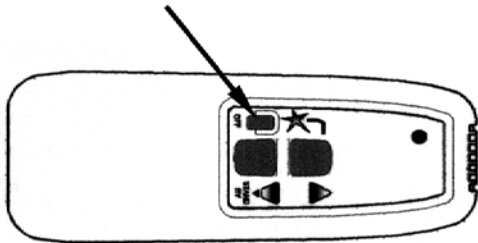
LIGHTING THE FIRE

1. STOP! Read the safety information above.
2. This appliance is equipped with an ignition device which automatically lights the pilot. Do not try to light the pilot by hand.
3. Push the OFF button on the remote control to insure the appliance is off.
4. Wait five (5) minutes to clear out any gas. Then smell for gas including near the floor. If you smell gas, STOP! Follow "B" in the safety information above. If you don't smell gas, go to the next step.
5. Press the **OFF** and ▲ buttons simultaneously. Release the buttons once you hear a beeping noise. This acoustic signal tells you that the start sequence has begun. Further short signals will continue until main gas flows and the burner is lit. If the pilot or burner does not light, go back to Step 3, above.
6. Use the up and down arrows to adjust the flame height.



TO TURN OFF THE APPLIANCE

7. Push the OFF button on the remote control to turn the appliance off.



Resetting the System

The Gas Stones with Fusion Basket should need to be reset only once, prior to initial use. This is done as follows:

1. Press and hold the receiver reset button until you hear the second of two beeps.
2. After the second beep release the reset button and, within twenty seconds, press the ▼ button on the remote until you hear the second of two beeps.

MAINTENANCE

A qualified service agency should conduct an annual inspection and maintenance of your Gas Stones with Fusion Basket, the fireplace, chimney, and the installation to keep it running safely. The following procedures should be performed only by a qualified service person. The gas supply should be turned off whenever a maintenance procedure is performed. All parts of the fireplace that are removed for servicing must be replaced prior to operation.

Cleaning the Stones and Burner.

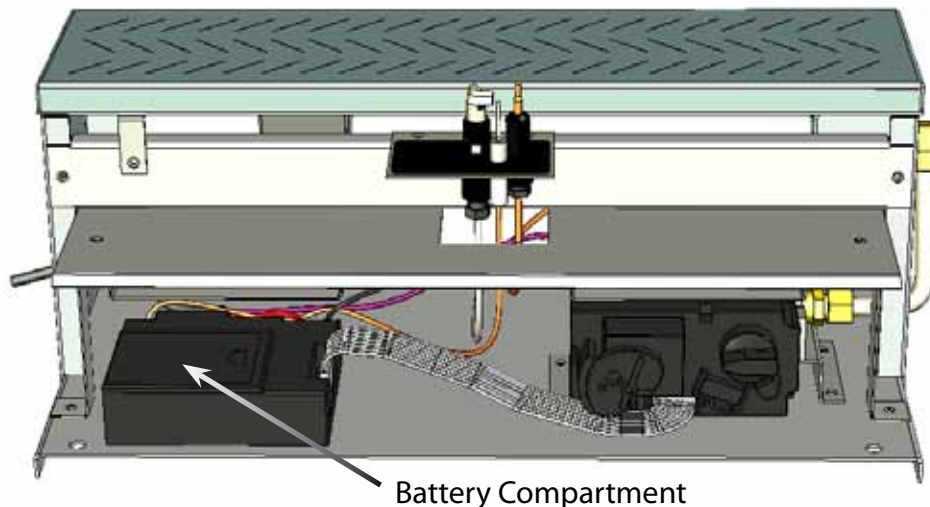
With all parts of the fireplace at room temperature, carefully remove and clean the stones with a soft bristled brush. Never use a vacuum cleaner to clean the stones. Clean the burner surface with a brush. Replace the components according to the instructions starting on page 11 of this manual.

Inspecting the Chimney

An inspection of the chimney should be made as part of the annual service appointment. The chimney must have no blockage and be in good repair.

Replacing the Batteries

With all parts of the fireplace at room temperature, remove the stones and embers. Remove the Fusion Basket from the fireplace. Find the battery compartment door on top of the receiver and slide it open. Remove the four batteries and, minding the correct polarity, replace them with fresh AA batteries. Close the battery compartment cover and re-set the Fusion Basket, embers and stones according to the previous instructions.



TROUBLESHOOTING

OBSERVED PROBLEM:	POSSIBLE CAUSE:	REMEDY:
A. No transmission (motor does not turn)	1. Receiver must learn new code.	1. Reset system as above.
	2. Dead batteries.	2. Replace batteries.
	3. The receiver is surrounded by metal, reducing the transmission range.	3. Change the position of the antenna.
	4. Receiver	4. Replace receiver and reprogram code as above.
	5. Transmitter	5. Replace the transmitter and reprogram code as above.
	6. Wiring at valve damaged.	6. Replace valve.
	7. Bent pins on 8 wire connector.	7. Straighten pins on 8 wire connector.
B. No ignition; no tone	1. Dead batteries.	1. Replace batteries.
	2. Receiver	2. Replace the transmitter and reprogram code as above.
C. No ignition; one 5 second continuous tone (7 short beeps might be heard prior to the 5 second tone)	1. Loose wire.	1. Secure wire.
	2. Receiver	2. Replace receiver and reprogram code as above.
	3. Bent pins on 8 wire connector.	3. Straighten pins on 8 wire connector.
	4. Valve	4. Replace valve.
D. No pilot flame and control continues to spark	1. Air in the pilot supply line.	1. Purge the line or start ignition several times.
	2. No spark at pilot burner.	2. Check spark gap; check wiring connection. Check for spark in location along cable.
	3. Valve	3. Replace valve. Do not over tighten the thermocouple.

OBSERVED PROBLEM:	POSSIBLE CAUSE:	REMEDY:
D. No pilot flame and control continues to spark	4. Over tightened thermocouple.	4. Replace valve and thermocouple interrupter.
	5. Receiver	5. Replace receiver and reprogram code as above.
E. Pilot is lit and control continues to spark. Valve shuts off after 10-30 seconds. Valve operates manually.	1. Receiver	1. Replace receiver and reprogram code as above.
F. Pilot is lit and sparking stops. Valve shuts off after 10-60 seconds. Valve does not operate manually.	1. Not enough voltage generated from the thermocouple or too much resistance in the circuit.	1. Use a digital multimeter set in the mV range and measure the voltage between the spade connector closest to the thermocouple (-) and thermocouple tube (+) itself. The reading should be 21-30 mV.
	2. Thermocouple	2. Replace thermocouple.
	3. Low inlet pressure.	3. Confirm regulator pressure and sizing. Replace if necessary.
	4. Valve	4. Replace valve. Do not over-tighten the thermocouple.
G. Three short beeps while the motor turns.	1. Batteries are low.	1. Replace batteries.
H. Pilot flame lights but there is no main gas flow.	1. Manual override knob is in MAN position.	1. Turn manual override knob to ON position.
	2. Valve turned down to pilot flow.	2. Turn flame to high fire by pressing the UP button on remote control.
	3. Low inlet pressure.	3. Confirm regulator pressure, and sizing. Replace valve if necessary.
	4. Valve.	4. Replace valve.



The flames should look like those in the picture above.

PARTS LIST

Burner Module, NG	GSBM-NG-01
Burner Module, LP	GSBM-LP-01
Stone Kit	VPK-01
Pilot Assembly	VPA-01
Fusion Basket	VSB-01

For replacement parts and customer service, contact:

EUROPEAN HOME

+1 (781) 324-8383

NOTES

EUROPEAN HOME

a division of Europa Ja, Inc.

376 Washington St.

Suite 203

Malden, MA 02148

tel: 781/324-8383

fax: 781/324-8384

www.europeanhome.com