



HALCYON

Direct · Vent · Gas · Fireplace

Installation, Operation and Owner's Manual

WARNING: If the information in these instructions is not followed exactly, a fire or explosion may result causing property damage, personal injury or loss of life.

- Do not store or use gasoline or other flammable vapors and liquids in the vicinity of this or any other appliance.

WHAT TO DO IF YOU SMELL GAS

- Do not try to light any appliance.
 - Do not touch any electrical switch; do not use any phone in your building.
 - Immediately call your gas supplier from a neighbor's phone. Follow the gas supplier's instructions.
 - If you cannot reach your gas supplier, call the fire department.
- Installation and service must be performed by a qualified installer, service agency or the gas supplier.

This appliance may be installed in an aftermarket permanently located, manufactured home (USA only) or mobile home, where not prohibited by local codes.

This appliance is only for use with the type of gas indicated on the rating plate. This appliance is not convertible for use with other gases, unless a certified conversion kit is used.

WARNING



**HOT GLASS WILL
CAUSE BURNS.
DO NOT TOUCH GLASS
UNTIL COOLED.
NEVER ALLOW CHILDREN
TO TOUCH GLASS.**

Tested &
Listed By  Portland
Oregon USA
OMNI-Test Laboratories, Inc.
Report No. 284-F-06-5

INSTALLER: After installation, explain the operation and maintenance to the owner and leave this manual.

TABLE of CONTENTS

IMPORTANT SAFETY INFORMATION	3
MASSACHUSETTS REQUIREMENTS	4
SPECIFICATIONS	5
PRE-INSTALLATION PLANNING	9
MINIMUM CLEARANCES to COMBUSTIBLES	15
INSTALLATION.....	18
INSTALLATION - ELECTRICAL ASSEMBLY	20
INSTALLATION - GAS SUPPLY	23
INSTALLATION - VENTING	27
INSTALLATION - REMOTE HEAT KIT.....	34
OPERATING the FIREPLACE	38
COMPLETING the INSTALLATION.....	40
MAINTENANCE	43
TROUBLESHOOTING.....	45
INSTALLATION RECORD.....	47
Appendix A - LP Gas Conversion	49

These symbols appear throughout this Manual:



WARNING

This WARNING symbol indicates a situation or condition which, if not avoided, may result in serious injury or death.



CAUTION

This CAUTION symbol indicates a situation or condition which, if not avoided, may result in minor injury.

Note

This Note symbol indicates a decision or information point in the installation process.

Unless otherwise noted, the drawings in this Manual are not to scale.

IMPORTANT SAFETY INFORMATION

1. The installation must conform with local codes or, in the absence of local codes, with the *National Fuel Gas Code, ANSI Z223.1* or the *Canadian Installation Code, CAN/CGA B149.1*.
2. The appliance and its appliance main gas valve must be disconnected from the gas supply piping system during any pressure testing of that system at test pressures in excess of ½ psi (3.5 kPa).
3. The Halcyon Gas Fireplace must be isolated from the gas supply piping system by closing its equipment shutoff valve during any pressure testing of the gas supply system at test pressures equal to or less than ½ psi (3.5 kPa).
4. The installation must provide for adequate ventilation air to the appliance.
5. The Halcyon Gas Fireplace must not be connected to a chimney flue serving a separate solid-fuel burning appliance.
6. The Halcyon Gas Fireplace, when installed, must be electrically grounded in accordance with local codes, or, in the absence of local codes, with the *National Electrical Code ANSI/NFPA 70*, or the *Canadian Electrical Code, CSA C22. 1*.
7. When the Halcyon Gas Fireplace is installed directly on carpeting, vinyl tile or other combustible material other than wood flooring, it must be installed on a metal or wood panel extending the full width and depth of the appliance. The bottom of the Fireplace complies with this requirement.
8. The area around the Halcyon Gas Fireplace must be kept clear and free from combustible materials, gasoline and other flammable vapors and liquids.
9. The flow of combustion and ventilation air must not be obstructed.
10. Do not use this Fireplace if any part has been under water. Immediately call a qualified service technician to inspect the appliance and to replace any part of the control system and any gas control which has been under water.
11. Due to high temperatures, the Fireplace should be located out of traffic and away from furniture and draperies.
12. Children and adults should be alerted to the hazards of high surface temperatures and should stay away to avoid burns or clothing ignition.
13. Young children should be carefully supervised when they are in the same room as the appliance.
14. Clothing or other flammable material should not be placed on or near the appliance.
15. Any screen or guard removed for servicing an appliance must be replaced prior to operating the appliance.
16. Installation and repair should be done by a qualified service person. The Halcyon Gas Fireplace should be inspected before use and at least annually by a professional service person. More frequent cleaning may be required due to excessive lint from carpeting, bedding material, etc. It is imperative that the control compartments, burners and circulating air passageways of the appliance be kept clean.
17. WARNING: Do not operate appliance with the glass front removed, cracked or broken. Replacement of the glass should be done by a licensed or qualified service person.

MASSACHUSETTS REQUIREMENTS

The following must be observed when installing the Halcyon Gas Fireplace within the Commonwealth of Massachusetts:

(a) For all side wall horizontally vented gas fueled equipment installed in every dwelling, building or structure used in whole or in part for residential purposes, including those owned or operated by the Commonwealth and where the side wall exhaust vent termination is less than seven (7) feet above finished grade in the area of the venting, including but not limited to decks and porches, the following requirements shall be satisfied:

1. **INSTALLATION OF CARBON MONOXIDE DETECTORS.** At the time of installation of the side wall horizontal vented gas fueled equipment, the installing plumber or gasfitter shall observe that a hard wired carbon monoxide detector with an alarm and battery back-up is installed on the floor level where the gas equipment is to be installed. In addition, the installing plumber or gasfitter shall observe that a battery operated or hard wired carbon monoxide detector with an alarm is installed on each additional level of the dwelling, building or structure served by the side wall horizontal vented gas fueled equipment. It shall be the responsibility of the property owner to secure the services of qualified licensed professionals for the installation of hard wired carbon monoxide detectors

a. In the event that the side wall horizontally vented gas fueled equipment is installed in a crawl space or an attic, the hard wired carbon monoxide detector with alarm and battery back-up may be installed on the next adjacent floor level.

b. In the event that the requirements of this subdivision can not be met at the time of completion of installation, the owner shall have a period of thirty (30) days to comply with the above requirements; provided, however, that during said thirty (30) day period, a battery operated carbon monoxide detector with an alarm shall be installed.

2. **APPROVED CARBON MONOXIDE DETECTORS.** Each carbon monoxide detector as required in accordance with the above provisions shall comply with NFPA 720 and be ANSI/UL 2034 listed and IAS certified.

3. **SIGNAGE.** A metal or plastic identification plate shall be permanently mounted to the exterior of the building at a minimum height of eight (8) feet above grade directly in line with the exhaust vent terminal for the horizontally vented gas fueled heating appliance or equipment. The sign shall read, in print size no less than one-half (½) inch in size, "GAS VENT DIRECTLY BELOW. KEEP CLEAR OF ALL OBSTRUCTIONS".

4. **INSPECTION.** The state or local gas inspector of the side wall horizontally vented gas fueled equipment shall not approve the installation unless, upon inspection, the inspector observes carbon monoxide detectors and signage installed in accordance with the provisions of 248 CMR 5.08(2)(a)1 through 4.

(b) **EXEMPTIONS:** The following equipment is exempt from 248 CMR 5.08(2)(a)1 through 4:

1. The equipment listed in Chapter 10 entitled "Equipment Not Required To Be Vented" in the most current edition of NFPA 54 as adopted by the Board; and

2. Product Approved side wall horizontally vented gas fueled equipment installed in a room or structure separate from the dwelling, building or structure used in whole or in part for residential purposes.

(c) **MANUFACTURER REQUIREMENTS - GAS EQUIPMENT VENTING SYSTEM PROVIDED.** When the manufacturer of Product Approved side wall horizontally vented gas equipment provides a venting system design or venting system components with the equipment, the instructions provided by the manufacturer for installation of the equipment and the venting system shall include:

1. Detailed instructions for the installation of the venting system design or the venting system components; and

2. A complete parts list for the venting system design or venting system.

(d) **MANUFACTURER REQUIREMENTS - GAS EQUIPMENT VENTING SYSTEM NOT PROVIDED.** When the manufacturer of a Product Approved side wall horizontally vented gas fueled equipment does not provide the parts for venting the flue gases, but identifies "special venting systems", the following requirements shall be satisfied by the manufacturer:

1. The referenced "special venting system" instructions shall be included with the appliance or equipment installation instructions; and

2. The "special venting systems" shall be Product Approved by the Board, and the instructions for that system shall include a parts list and detailed installation instructions.

(e) A copy of all installation instructions for all Product Approved side wall horizontally vented gas fueled equipment, all venting instructions, all parts lists for venting instructions, and/or all venting design instructions shall remain with the appliance or equipment at the completion of the installation.

SPECIFICATIONS

Figure 1 - Dimensions (front)

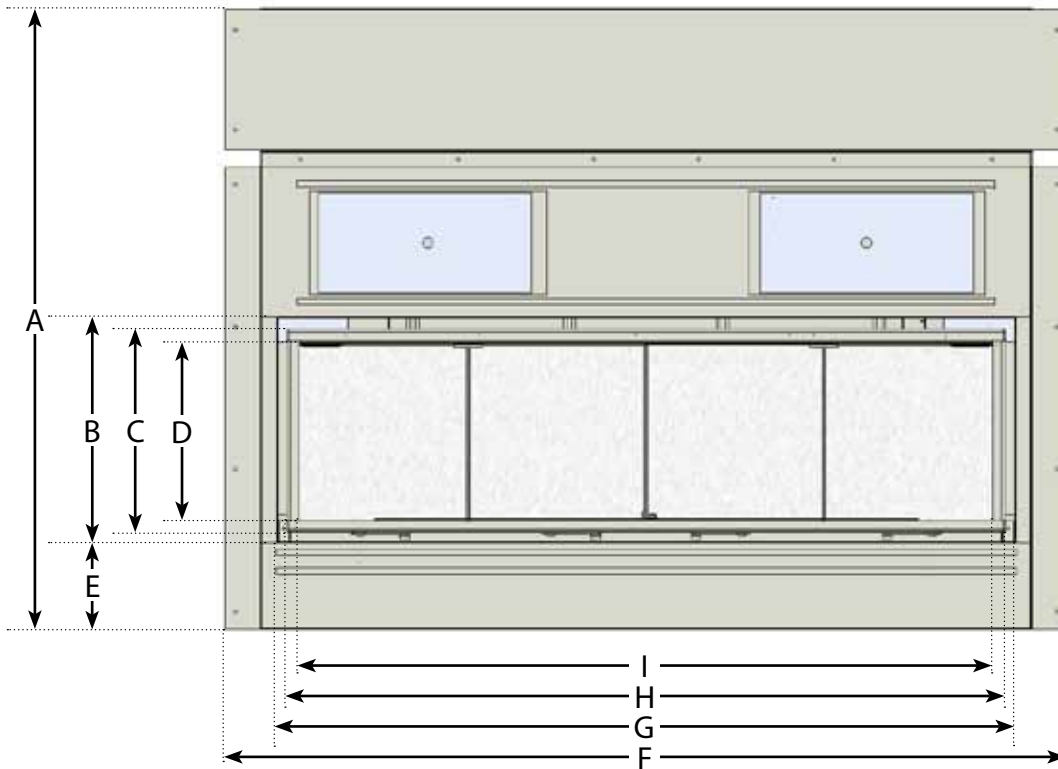
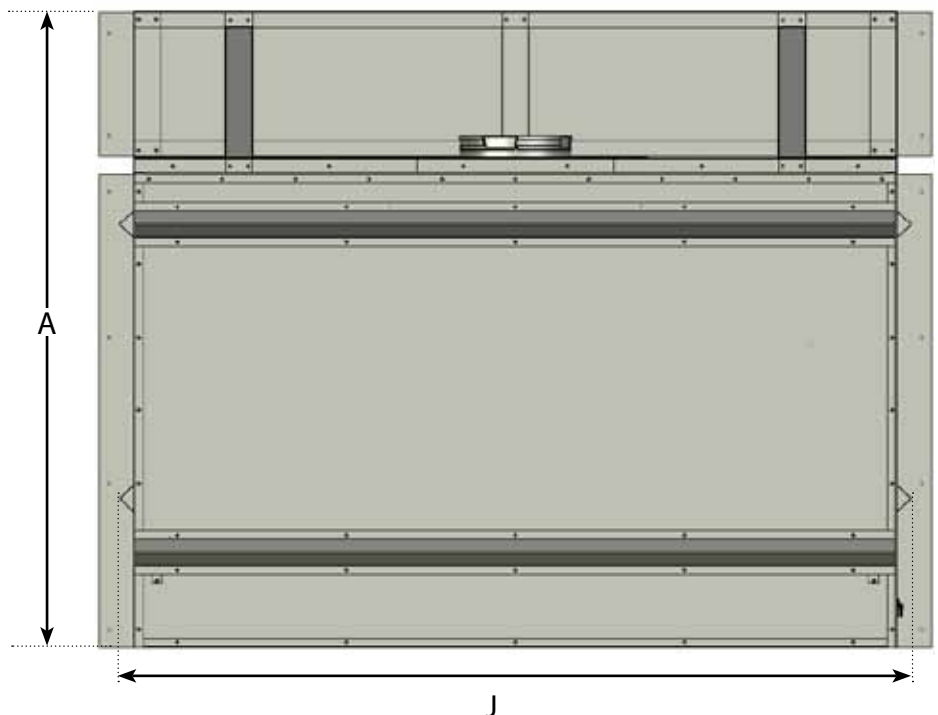


Figure 2 - Dimensions (rear)



A	Total Height	44"
B	Bead-to-Bead Height	15 ⁷ / ₈ "
C	Glass Frame Height	14 ⁵ / ₁₆ "
D	Viewable Height	12 ³ / ₄ "
E	Bead-to-Floor	6"
F	Total Width	59"
G	Bead-to-Bead Width	51 ³ / ₄ "
H	Glass Frame Width	50 ¹ / ₂ "
I	Viewable Width	48 ³ / ₄ "
J	Cabinet Width (Standoffs)	56 ¹ / ₄ "

Table 1 - Cabinet Dimensions

SPECIFICATIONS

Figure 3 - Dimensions (left side)

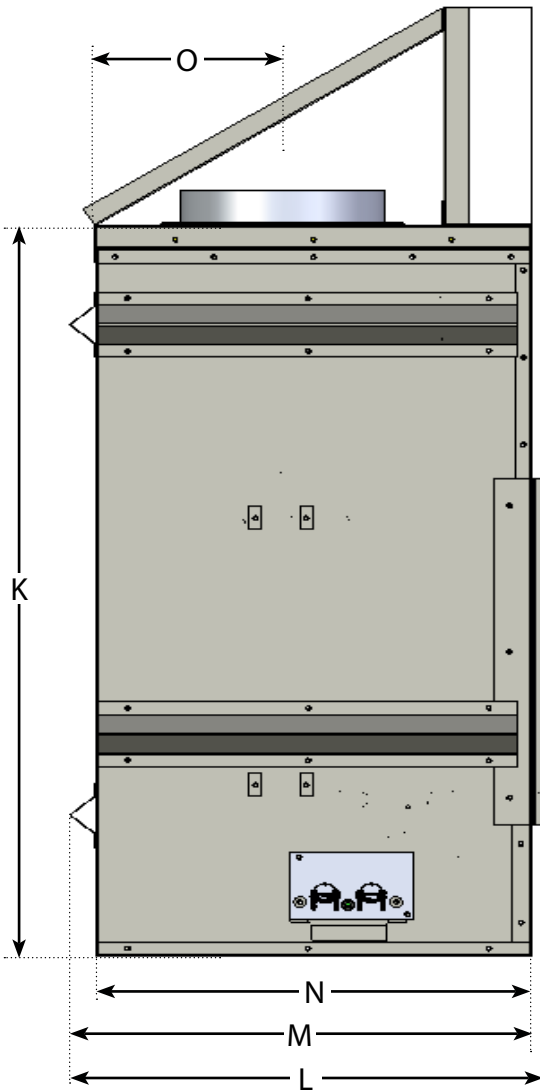
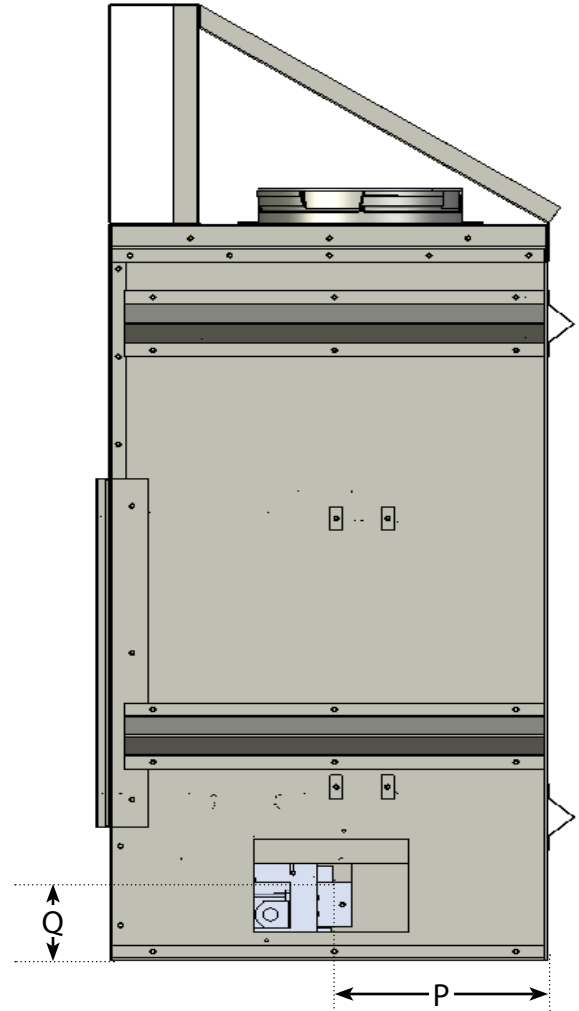


Figure 4 - Dimensions (right side)



K	Height Minus Standoff	33 ⁷ / ₁₆ "
L	Total Depth	18 ⁹ / ₁₆ "
M	Depth With Standoffs	18"
N	Depth Minus Standoffs	17"
O	Rear of Cabinet to Center Line of Vent Collar	7 ¹ / ₄ "
P	Rear of Cabinet to Center Line of Gas Access	8 ⁷ / ₁₆ "
Q	Bottom of Cabinet to Center Line of Gas Access	3 ³ / ₈ "
R	Cabinet Center Line to Left (or Right) Standoff	28 ¹ / ₈ "

Table 2 - Cabinet Dimensions

SPECIFICATIONS

	<i>Natural Gas</i>	<i>Propane (LP)</i>
Input:	32,000 BTU/hr. (9.37 kWh)	32,000 BTU/hr. (9.37 kWh)
Manifold Pressure:	3.2" w.c. (0.79 kPa)	9.2" w.c. (2.29 kPa)
Maximum Supply Pressure:	7" w.c. (1.74 kPa)	13" w.c. (3.23 kPa)
Minimum Supply Pressure:	4" w.c. (0.99 kPa)	11" w.c. (2.73 kPa)
Orifice Size:	#48 DMS	#56 DMS
Maximum Observed Steady State Efficiency:	62% [†]	66% [†]

† With Remote Heat Kit installed and maximum horizontal vent run. The maximum obtainable efficiency depends on how the Halcyon Gas Fireplace is installed and operated.

OMNI-Test Laboratories, Inc. has certified that the Halcyon Gas Fireplace meets the *ANSI Z21.88-2007 • CSA 2.33-2007 Vented Gas Fireplace Heaters* and *CAN/CGA-2.17-M91, Gas-Fired Appliances for Use At High Altitudes* standards.

The Halcyon Gas Fireplace is approved for installation at elevations up to 2000 feet in the U.S. and 1370 meters (4500 feet) in Canada without change. If your installation is at an elevation greater than these, consult with the local authority having jurisdiction for gas product installations to determine their specific requirements for high altitude installations.

The Commonwealth of Massachusetts has approved, and issued approval number G1-0309-294 for, the Halcyon Gas Fireplace.

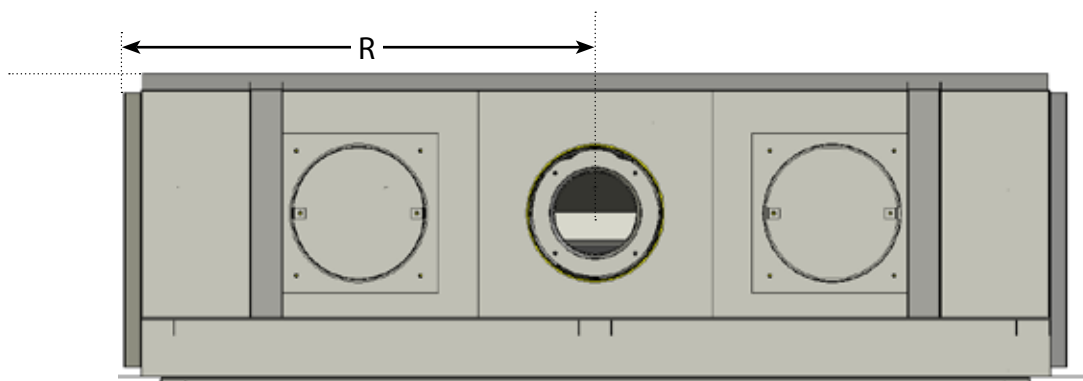


Figure 5 - Dimensions (top)

SPECIFICATIONS

HALCYON DIRECT VENT GAS FIREPLACE

Model: H50

Serial Number:

VENTED GAS FIREPLACE HEATER – NOT FOR USE WITH SOLID FUEL

This vented gas fireplace heater is not for use with air filters.

This vented gas fireplace heater is equipped at the factory for use with natural gas. If conversion to propane (LP) is desired, the optional factory conversion kit must be used.

Natural Gas <input type="checkbox"/> H50-01-NG	Propane (LP) Gas <input type="checkbox"/> H50-01-LP
Input BTU/hr.: 32,000	Input BTU/hr.: 32,000
Max. Supply Pressure: 7 inches w.c.	Max. Supply Pressure: 13 inches w.c.
Min. Supply Pressure: 4 inches w.c.	Min. Supply Pressure: 11 inches w.c.
Max. Manifold Pressure: 3.2 inch w.c.	Max. Manifold Pressure: 9.2 inches w.c.
Orifice Size: #48 DMS	Orifice Size: #56 DMS
Electrical Rating: 120V AC, 60 Hz, 1.2 A	Electrical Rating: 120V AC, 60 Hz, 1.2 A

This product has been tested and listed by OMNI-Test Laboratories to ANSI Z21.88b-2008 • CSA 2.33b-2008 Vented Gas Fireplace Heaters, CAN/CGA-2.17-M91, Gas-Fired Appliances for Use At High Altitudes, and CSA P.4.1-02. This appliance equipped only for altitudes 0-2000 feet (0-610m) in the USA and 0-4500 feet (1370 m) in Canada without change.

This appliance is only for use with the type of gas indicated on the rating plate and may be installed in an aftermarket, permanently located, manufactured home (USA only) or mobile home, where not prohibited by local codes. See the Owner's Manual for details. This appliance is not convertible for use with other gases, unless a certified kit is used.

This appliance must be installed in accordance with local codes, if any; if none, follow the National Fuel Gas Code, ANSI Z223.1/NFPA 54, or Natural Gas and Propane Installation Codes, CSA B149.1 This appliance must be properly connected to a venting system in accordance with the manufacturer's installation instructions.

Keep burner and control compartment clean. See installation and operating instructions accompanying appliance.

WARNING: Improper installation, adjustment, alteration, service or maintenance can cause injury or property damage. Refer to the owner's information manual provided with this appliance. For assistance or additional information consult a qualified installer, service agency or the gas supplier.

CAUTION: HOT WHILE IN OPERATION. DO NOT TOUCH. SEVERE BURNS MAY RESULT. KEEP CHILDREN, CLOTHING, FURNITURE, GASOLINE AND OTHER LIQUIDS HAVING FLAMMABLE VAPORS AWAY.

CAUTION: Do not operate the appliance with glass removed, cracked or broken. Replacement of the panel should be done by a licensed or qualified service person.

Minimum Clearances to Combustible Materials	Clearances to Combustible Mantel from Top of Glass Panel Frame
Side, Top and Rear Standoffs: 0" (0mm)	4" Horizontal Mantel: 16" (407mm)
Floor Under Unit: 0" (0mm)	6" Horizontal Mantel: 17.5" (445mm)
Top of Enclosure: 23.25" (591mm)	8" Horizontal Mantel: 19" (483mm)
Door to Right Side Wall: 7" (178mm)	10" Horizontal Mantel: 20.5" (521mm)
Door to Left Side Wall: 7" (178mm)	12" Horizontal Mantel: 22" (559mm)

Rough Opening Dimensions
Height: 44" (112cm)
Width: 57" (145cm)
Depth: 18.5" (47cm)



manufactured by:
EUROPEAN HOME
 376 Washington Street
 Malden, MA 02148
 tel: (781) 324-8383
www.europeanhome.com

rev.LL.08.11.25

PRE-INSTALLATION PLANNING

BEFORE YOU BEGIN

Thank you for purchasing the Halcyon Gas Fireplace by European Home.

Please read this manual thoroughly before beginning the installation of your Halcyon Gas Fireplace. It has information which is important for safe, trouble-free installation and operation.

Your Halcyon Gas Fireplace will arrive in two packages; the cabinet - including the burner and glass panel assembly - on a pallet, and a carton with everything else. Please inspect your shipment for completeness and any damage. Contact your retailer if any damage is found. Do not install your Halcyon Gas Fireplace with any damaged or substituted parts.

The installation of your new Fireplace will follow the steps below and this Manual is laid out accordingly.

P. **Planning** - Fireplace and venting location, gas and electric supply runs and clearances

1. **Rough Installation** - Build the rough frame and install the Fireplace
2. **Electric Installation** - The electric supply connections and the control switches
3. **Gas Installation** - The gas hook-up
4. **Venting Installation** - 8" direct vent pipe, adjustment and termination
5. **First Fire** - Check for proper operation and burn-in
6. **Fine Tuning** - Electrical check, gas check and pressure tests, draft adjustment
7. **Final Installation** - Wall, mantel and non-combustible facing

Before you begin your installation you should have the following tools and supplies:

- Saw
- Hammer
- Pliers
- Pipe wrench
- Phillips and straight-blade screwdrivers
- Plumb line and level
- Tape measure and framing square
- Electric drill and assortment of drill bits
- Safety glasses and gloves
- Framing material
- Non-combustible finish material
- Approved pipe joint sealant
- Manometer
- #6 or #8 self-tapping screws, ½" - ¾" long
- Leak detection fluid (non-corrosive) or electronic gas detector
- 14/2 NM electrical wire and wire nuts
- Two 15A 120V single pole toggle switches
- Appropriate venting components
- Appropriate gas supply line parts

PRE-INSTALLATION PLANNING

The next eight pages provide information for the Planning portion of your project.

P1. LOCATING THE FIREPLACE

Several issues must be addressed when selecting a suitable location for the Halcyon Gas Fireplace. Considerations include observing the required clearances to combustibles, the accessibility of the gas and electric supply and the routing of the gas vent.

A number of installation styles are possible; a corner, an island, a peninsula, built into a wall or enclosed by walls.

For maximum performance, you should choose a Fireplace location which minimizes the number of bends and horizontal lengths in the venting run. *Figure 6* shows some example installations.

Since the Halcyon Gas Fireplace weighs several hundred pounds, it must be placed on a sturdy and level surface. It can be placed on the floor or a raised platform made of wood or non-combustible materials - do not place the Fireplace on carpet or vinyl tile.

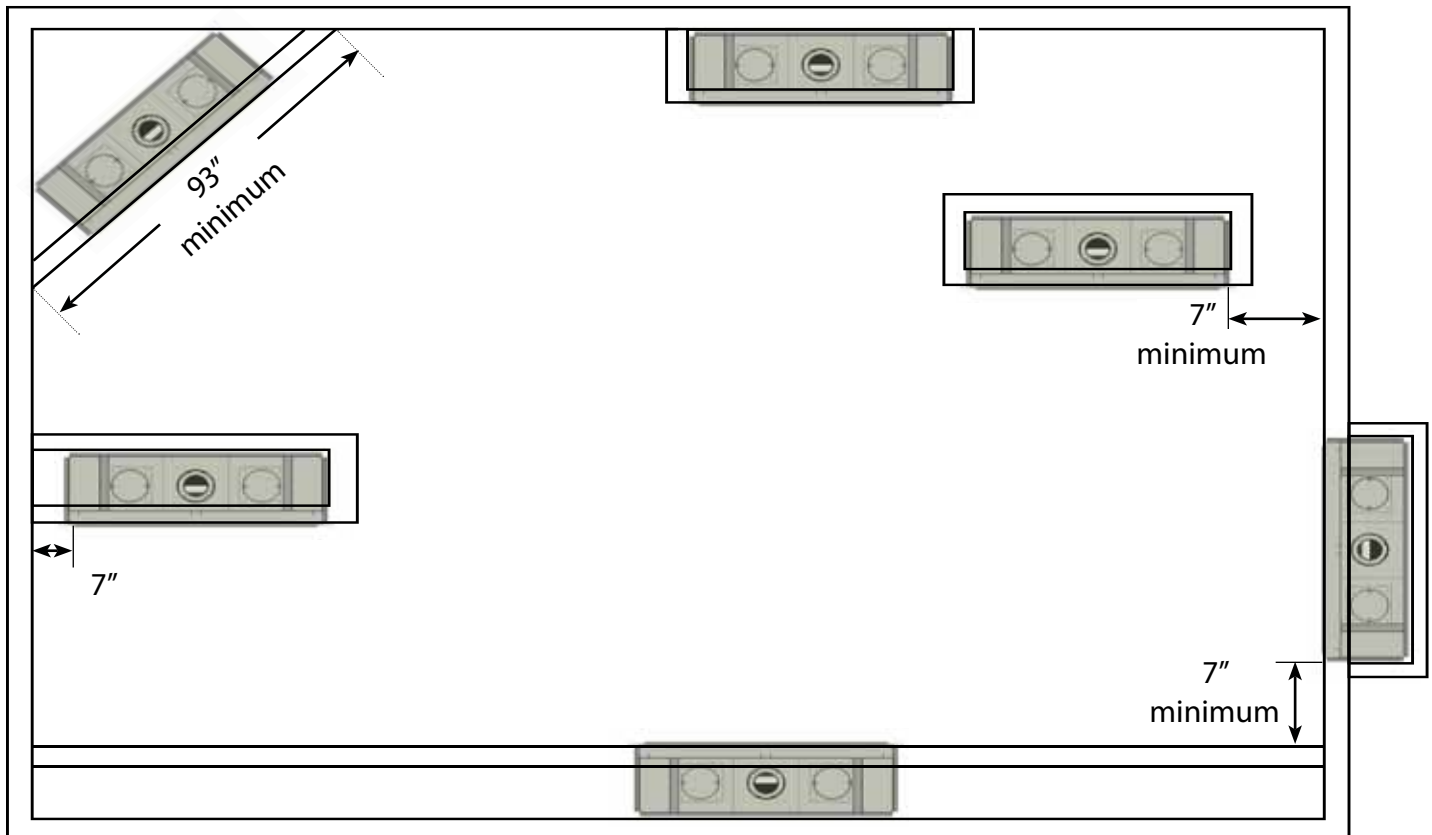


Figure 6 - Installation Locations (not to scale)

PRE-INSTALLATION PLANNING

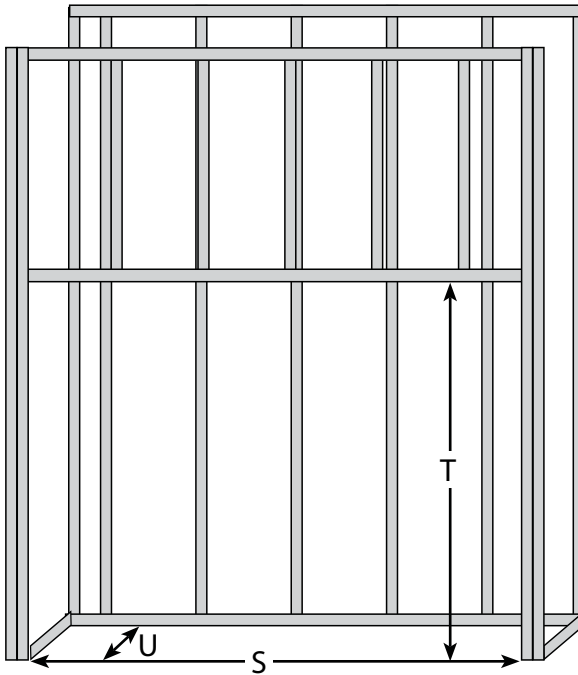


Figure 7 - Rough Opening

Table 3, below, lists the minimum dimensions of the rough opening (shown in Figure 7) into which the Halcyon Gas Fireplace is set. It also lists the minimum height of an enclosure (W) and the minimum distance between a room ceiling and the bottom of the Halcyon (V).

Figure 8 shows the relationship between a room ceiling (V) and an enclosure (or chase) ceiling (W).

S	Rough Opening Width	57"
T	Rough Opening Height	44"
U	Rough Opening Depth	18½"
V	Minimum Height to Chase Ceiling	57½"
W	Minimum Height to Room Ceiling	44"

Table 3 - Minimum Dimensions

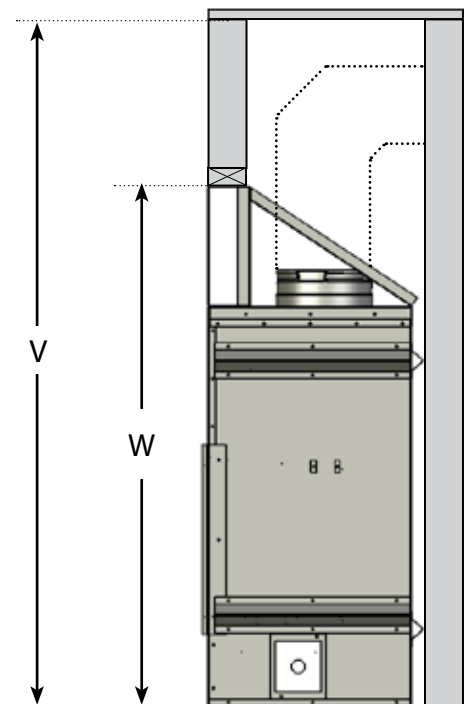


Figure 8 - Minimum Enclosure Height and Distance to Ceiling

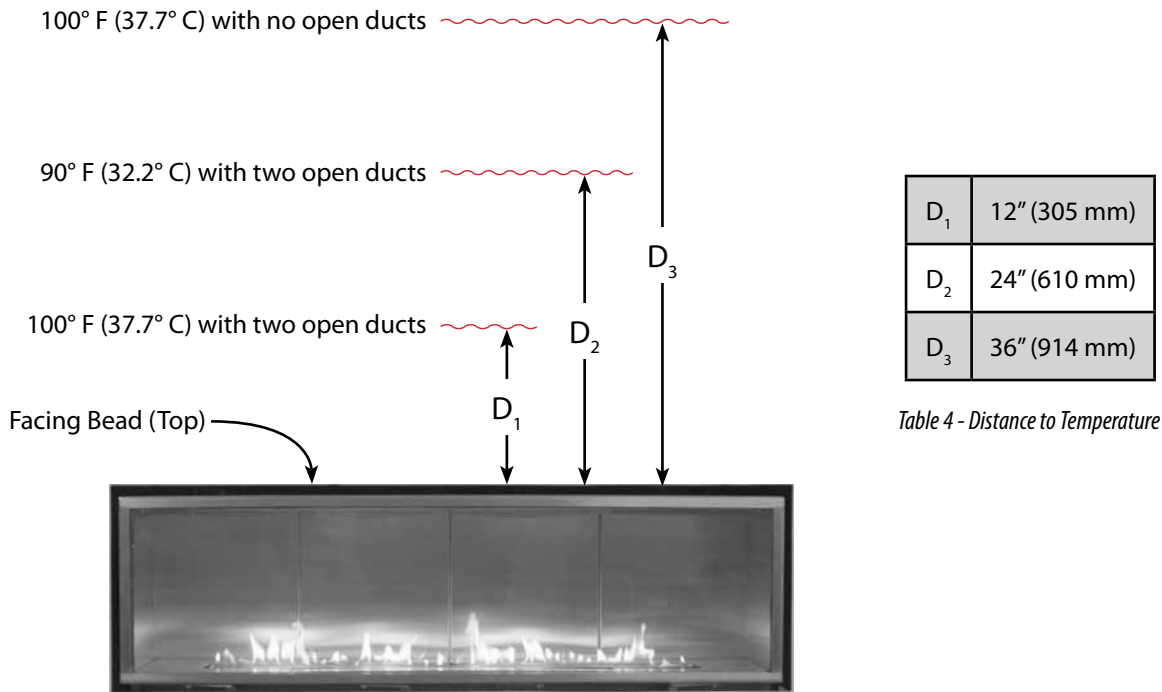
PRE-INSTALLATION PLANNING

P2. ABOVE THE FIREPLACE

Almost all of the heat produced by the Halcyon Gas Fireplace rises directly up the wall into which it is set. This subjects the wall above the Fireplace (and anything attached to the wall) to elevated temperatures. The European Home Remote Heat Kit (included) is designed to keep the wall cooler by moving heat away from the Fireplace. Your Fireplace is supplied with enough insulated, flexible duct to allow the Remote Heat Kit to be installed in a simple, 'bump-in' enclosure. If your installation requires more duct it is available through your retailer or from European Home. NOTE: A grille for each duct box is NOT included and must be provided by the customer. The grille MUST have a minimum open area of 41%.

Figure 9 and Table 4 show some typical wall surface temperatures at various distances from the Facing Bead on the Halcyon Gas Fireplace. These temperatures are shown with no mantel attached. The inclusion of a mantel will have no material effect on the wall temperatures above the Fireplace.

This information is intended to better inform your decision to attach objects above the Fireplace. European Home cannot predict the effects of heat on anything attached above the Fireplace and the final choice of objects, attachments and materials rests entirely with the customer. European Home takes no responsibility for any effects, good or bad, of heat upon any objects attached above the Fireplace.



PRE-INSTALLATION PLANNING

P3. PLANNING YOUR VENT RUN

The first vent section must be a 12", or longer, vertical section. Try to minimize the length of horizontal sections and the number of elbows. Your proposed vent configuration should offer as little resistance as possible to the rising of hot air.

Any venting configuration used by the Halcyon must fall within the limits of *Chart 1*. All measurements are taken from the center of the vent connector on the top of the Halcyon cabinet. See *Figure 10*.

To use the *Chart 1*, measure the total rise and total run of your proposed venting configuration. On the chart, draw a line between the two numbers (top and bottom rows of the chart) representing your run and the two numbers (left and right columns of the chart) representing your rise. Mark the point at which the lines intersect. If that point falls in a black area the configuration is not permitted. Installations whose rise or run falls outside the chart are not permitted.

For example, if your vent rise is 18 feet and your vent run is 12 feet the venting is not permitted. Conversely, if your vent rises 7 feet and your vent run is 11 feet the venting is permitted.

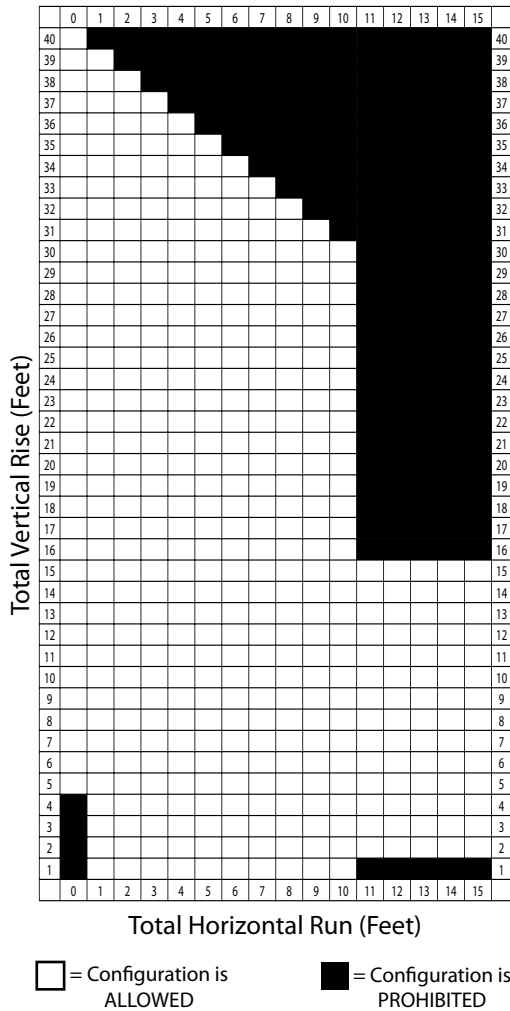


Chart 1 - Allowable Venting Chart

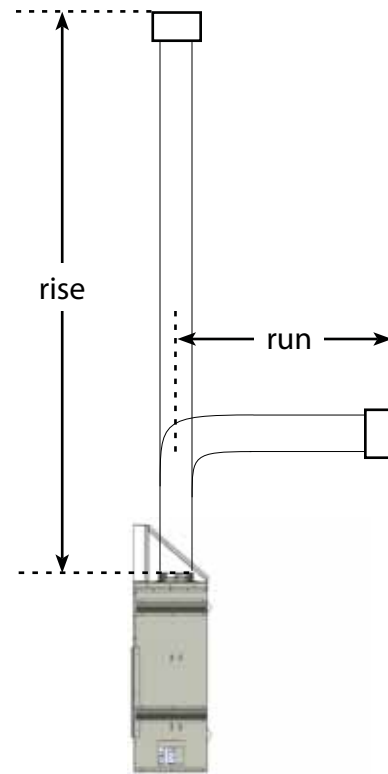
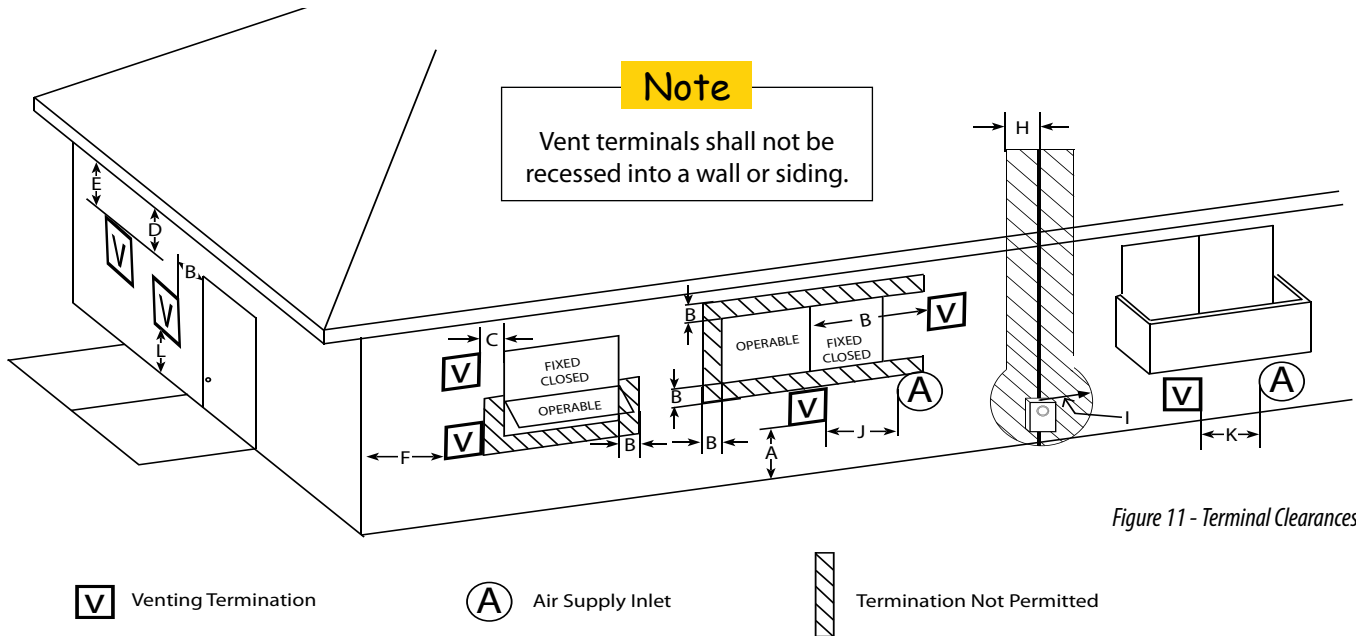


Figure 10 - Vent Measurement

PRE-INSTALLATION PLANNING



Clearance	U.S. Minimum ¹	Canadian Minimum ²
A - Clearance above the grade, a veranda, porch, deck, or balcony.	12 in. (30 cm)	12 in. (30 cm)
B - Clearance to window or door that may be opened.	12 in. (30 cm)	12 in. (30 cm)
C - Clearance to permanently closed window.	See Note 3	See Notes 3 and 4
D - Vertical clearance to ventilated soffit located above the terminal within a horizontal distance of 2 ft. (61 cm) from the center line of the terminal.	See Note 3	See Notes 3 and 4
E - Clearance to an unventilated soffit.	See Note 3	See Notes 3 and 4
F - Clearance to an outside corner.	See Note 3	See Notes 3 and 4
G - Clearance to an inside corner.	See Note 3	See Notes 3 and 4
H - Clearance to each side of centerline of gas meter/regulator assembly.	See Note 3	3 ft. (91 cm) within a height of 15 ft. (4.5 m) above the meter/regulator assembly
I - Clearance to a service regulator vent outlet.	See Note 3	3 ft. (91 cm)
J - Clearance to non-mechanical air supply inlet into building or the combustion air inlet to any other appliance.	9 in. (23 cm)	12 in. (30 cm.)
K - Clearance to mechanical air supply inlet.	3 ft. (91 cm) above if within 10 ft. (3 m) horizontally	6 ft. (1.83 m)
L - Clearance above a paved sidewalk or paved driveway located on public property.	See Note 3	7 ft. (2.12 m)
M - Clearance under veranda, porch, deck or balcony.	See Note 3	12 in. (30 cm) See Note 5

Table 5 - Minimum Terminal Clearances

Notes:

- 1 - In conformance with the current National Fuel Gas Code, ANSI Z223.1
- 2 - In conformance with the current CAN/CGA B149 Gas Installation Code
- 3 - Clearance is accordance with local installation codes and the requirements of the gas supplier
- 4 - Degagement conforme aux codes d'installation locaux et aux exigences du fournisseur de gaz.
- 5 - Permitted ONLY if veranda, porch, deck or balcony is fully open on a minimum of two sides below the floor.

MINIMUM CLEARANCES to COMBUSTIBLES

P4. MINIMUM CLEARANCES TO COMBUSTIBLE MATERIALS

When installing the Halcyon Gas Fireplace, the clearances shown in *Table 6*, below, must be observed. If the required clearances are not maintained a fire may result thereby causing property damage, personal injury or loss of life.

When the Halcyon Gas Fireplace is to be installed directly on carpeting, vinyl tile or combustible material other than wood flooring, it must be installed on a metal or wood panel extending the full width and depth of the Fireplace cabinet.

Clearance to Side, Top and Rear Standoffs	0"
Clearance to Wood Floor	0"
Clearance to Side Wall	7"
Distance Between Cabinet Bottom and Enclosure Ceiling	57½"
Clearance to Vent Pipe (Horizontal or Vertical)	1½"

Table 6 - Minimum Clearances to Combustible Materials

What is Combustible?

Materials that can catch fire and burn are considered combustible. Any material that is made of, or faced with, wood, wood pulp, paper, plastic or any other material that can catch fire and burn is considered combustible. Even though these materials may have been 'flame-proofed', made 'fire-resistant' or are 'fire-rated' they are considered combustible.

The combustibility of a material can be tested per "ASTM E136 Standard Test Method for Behavior of Materials in a Vertical Tube Furnace at 750 Degrees C". Note that 'fire-resistant' does NOT mean non-combustible.

Note: If a certain material has a core considered to be non-combustible (in accordance with ASTM E136) but is faced with a combustible material then the material is considered to be combustible.

When in doubt, ask for an ASTM E136 compliance statement.

What is Non-combustible?

A given material is said to be non-combustible when it cannot catch fire and burn. For example, materials made entirely, or in combinations, of, stone, brick, concrete, tile, steel, plaster or glass are considered non-combustible.

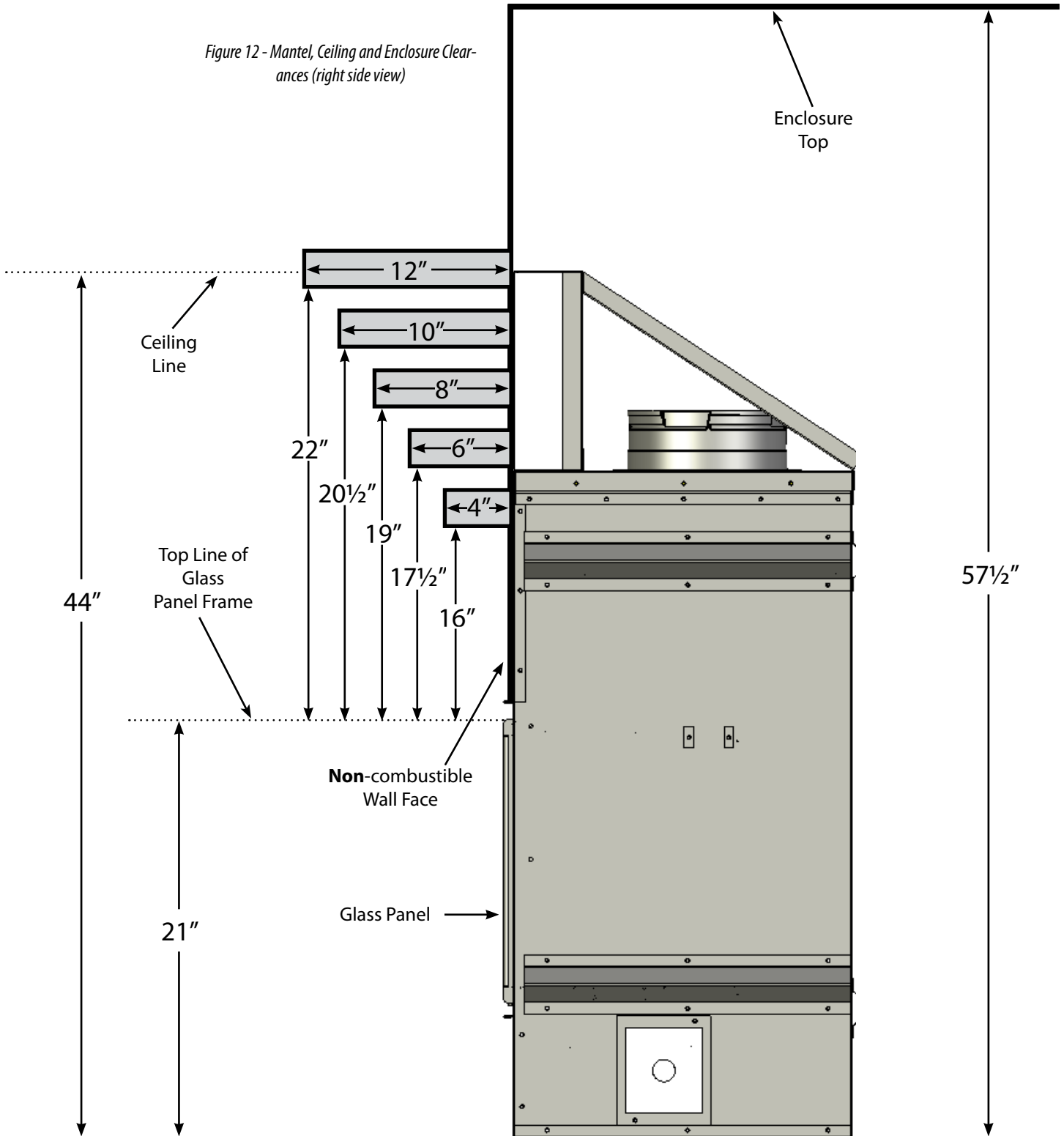
For the purposes of the installations described in this Manual, those materials that have passed the ASTM E136 tests are considered to be non-combustible.

As of this writing, the materials listed below are reported by their manufacturers to be non-combustible (in accordance with ASTM E136):

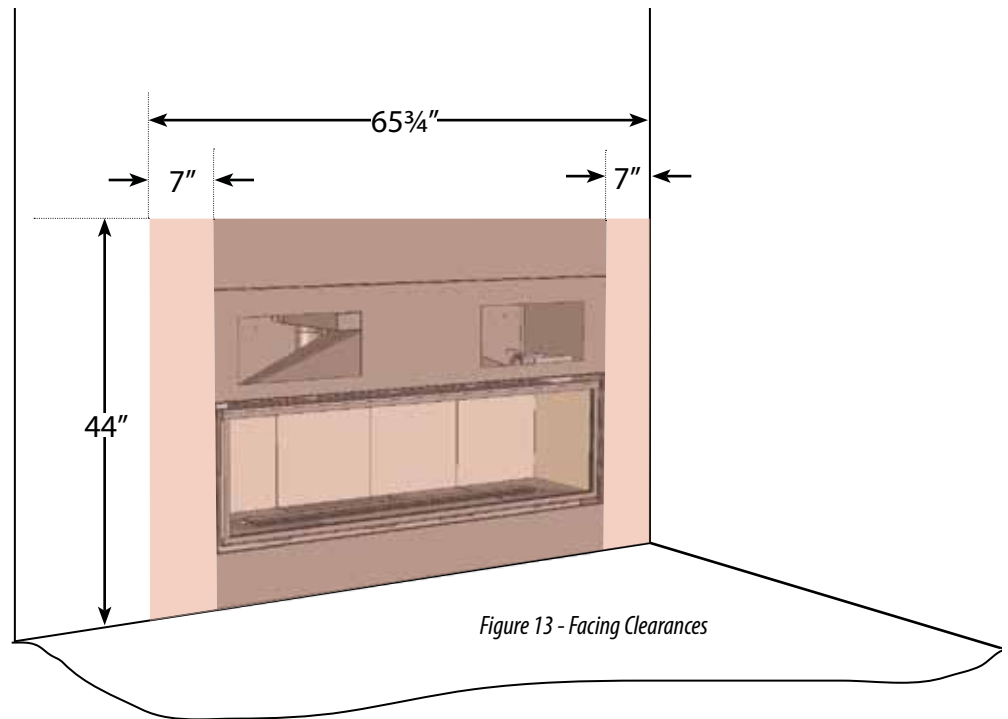
- James Hardie Building Products, Inc.:
HardieBacker™ ¼" Cement Board
- U.S. Architectural Products, Inc.:
Versaroc® Cement Bonded Particle Board
Cem-Clad® Cement Panel

MINIMUM CLEARANCES to COMBUSTIBLES

Figure 12 - Mantel, Ceiling and Enclosure Clearances (right side view)



MINIMUM CLEARANCES to COMBUSTIBLES



All of the following limits MUST be maintained in every case:

- Combustible mantels must be no closer to the top of the glass panel frame than the distances shown in *Figure 12*.
- Combustible materials must be no closer to the side of the glass panel frame than 7".
- The bottom of the Halcyon cabinet may be no closer to the room ceiling than 44".
- The minimum height of an enclosure is 57½".
- *Figure 13* shows the combustible facing limits for the Halcyon Gas Fireplace. Combustible wall facing is not permitted inside this 65¾" x 44" limit. The 44" dimension is measured from the bottom of the cabinet to the top of the standoff panel and the 65¾" dimension is centered on the cabinet.
- The wall must be faced with non-combustible material, usually approved cement board. See *What is Non-combustible?* on page 15.

INSTALLATION

The Rough Installation portion of your project includes placing the cabinet, connecting the gas and making the electrical connections. The following steps provide the detail.

1. REMOVE THE GLASS PANEL ASSEMBLY

The glass panel is fastened to the cabinet at the factory and should be removed and placed in a safe location to avoid damage. See Section 8 (INSTALL THE GLASS PANEL ASSEMBLY) for details. Due to the size and weight of the glass panel assembly, the assistance of a helper is recommended.

Note

TO USE LP GAS, CONVERT THE HALCYON GAS FIREPLACE NOW USING ONLY THE H50-SA-LPCK-01 LP GAS CONVERSION KIT.
The H50-SA-LPCK-01 LP Gas Conversion Kit is sold separately. See Appendix A for complete conversion instructions.

Note

Check the VENTING section now to determine if your installation requires the Horizontal Heat Shield. If required, install it now.

2. INSTALL THE RELIEF DOORS

- When shipped, four relief doors are *not* installed and *must be installed on the top of the firebox prior to installation*. These four relief doors include gasket material that covers the full bottom surface. Use care in handling the relief doors to avoid damage to the gasket material.
- The relief openings are located behind the left and right access doors mounted on the front of the Halcyon Gas Fireplace. Using the finger hole, slide the door left or right the door as appropriate.

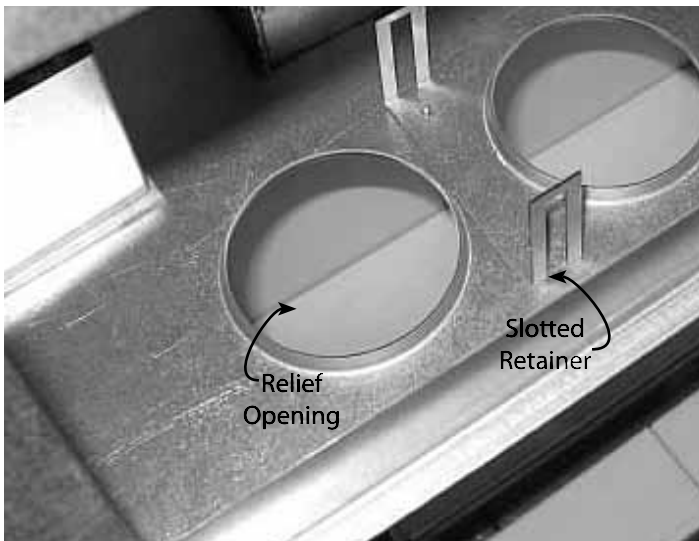


Figure 14 - Relief Openings and Slotted Retainers

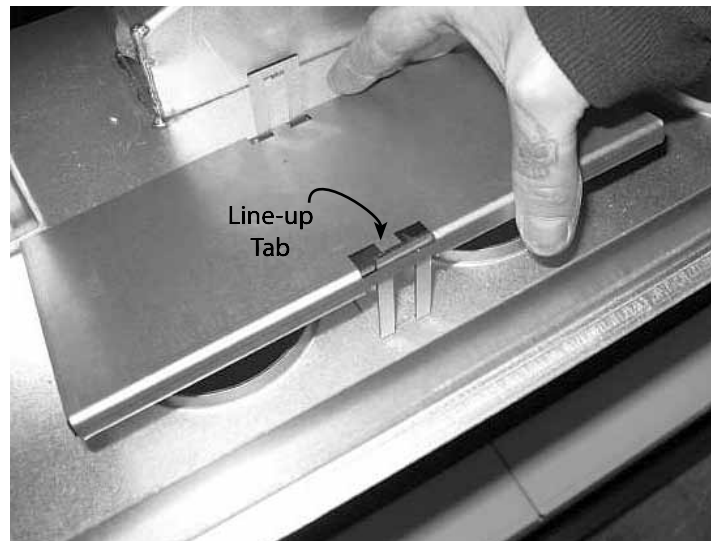


Figure 15 - Relief Door Showing Line-up Tab

INSTALLATION



Figure 16 - Relief Door Showing Line-up Tab

- c. The four relief doors include line-up tabs that correspond to slotted retainers on the firebox. See *Figure 14*.
- d. Drop the rear of each relief door down onto its slotted retainer and allow the rear line-up tab to engage the rear retainer slot. See *Figure 15*.
- e. Lift the front edge of each relief door and engage the line-up tab in the front slotted retainers.
- f. The four relief doors must be able to move up and down freely on the retainers when properly installed.
- g. When the relief door installation is complete, the relief doors should be in the full down position. See *Figure 16*.

3. PLACE THE CABINET

Since the Halcyon Gas Fireplace weighs several hundred pounds, it must be placed on a sturdy and level surface. It can be placed on the floor or a raised platform made of wood or non-combustible materials - do not place the Fireplace on carpet or vinyl tile.

- a) Place the Halcyon Gas Fireplace into the rough opening. Framing material can touch the standoffs at the sides and rear of the cabinet but do not place anything between the framing and the standoffs.
- b) Make sure the Fireplace is both level and square.
- c) Screw the left and right attachment flanges to the framing.

Note

Do not enclose the Fireplace chase or begin the finish work until the Fireplace has been installed, tested and approved by the local code inspection authority.

INSTALLATION - ELECTRICAL ASSEMBLY



WARNING

Label all wires prior to disconnection when servicing controls. Wiring errors can cause improper and dangerous operation.

This appliance must be electrically grounded in accordance with local codes, or, in the absence of local codes, with either the National Electrical Code ANSI/NFPA 70, for installations in the U.S. or the Canadian Electrical Code, CSA C22. 1 for installations in Canada.

Electrical work should only be performed by a qualified, licensed electrician. Electric power must be off when making connections at the Junction Box or performing any service.

All wiring shall be in compliance with all local, city, and state codes.

4. THE ELECTRICAL ASSEMBLY

The three electrical circuits required by your project are detailed in this section.

The Halcyon Gas Fireplace requires seven electrical connections for complete operation; a system ground (earth) connection plus two connections to the Lamp Circuit, two connections to the Control Circuit and two connections to a thermostat or remote control receiver. The Control and Lamp Circuits are provided on-site and must be installed according to all applicable codes; the Thermostat Wire is provided with the Halcyon.

When completed, all of these connections are inside the Wiring Tunnel, located behind the Cover Plate on the lower left side of the Halcyon. *Figure 18* shows a schematic electrical wiring diagram and *Table 7* lists the wire colors.

Lamp Circuit

A switched 120V AC circuit must be installed in order to light the two interior lamps. The switch may be either a lamp dimmer rated for at least 500 watts (recommended) or a SPST switch. The Lamp Circuit is connected to the blue and purple wires.

Control Circuit

The Control Circuit is a 120V AC supply circuit which provides electrical power solely to the Control Module and is used to power the control and safety systems. The Control Circuit must not contain a dimmer but it may be switched. The Control Circuit is connected to the black and white wires.

Thermostat Circuit

The Thermostat Circuit is powered by a 24V AC transformer inside of the Halcyon and consists of 25 feet of thermostat wire (wired to the Control Module) and a remote control receiver (included.) Alternatively, the Thermostat Circuit may be wired to a customer-provided 24V thermostat or SPST switch.

Note

DO NOT CONNECT AN EXTERNAL POWER SOURCE TO THE THERMOSTAT CIRCUIT!

INSTALLATION - ELECTRICAL ASSEMBLY

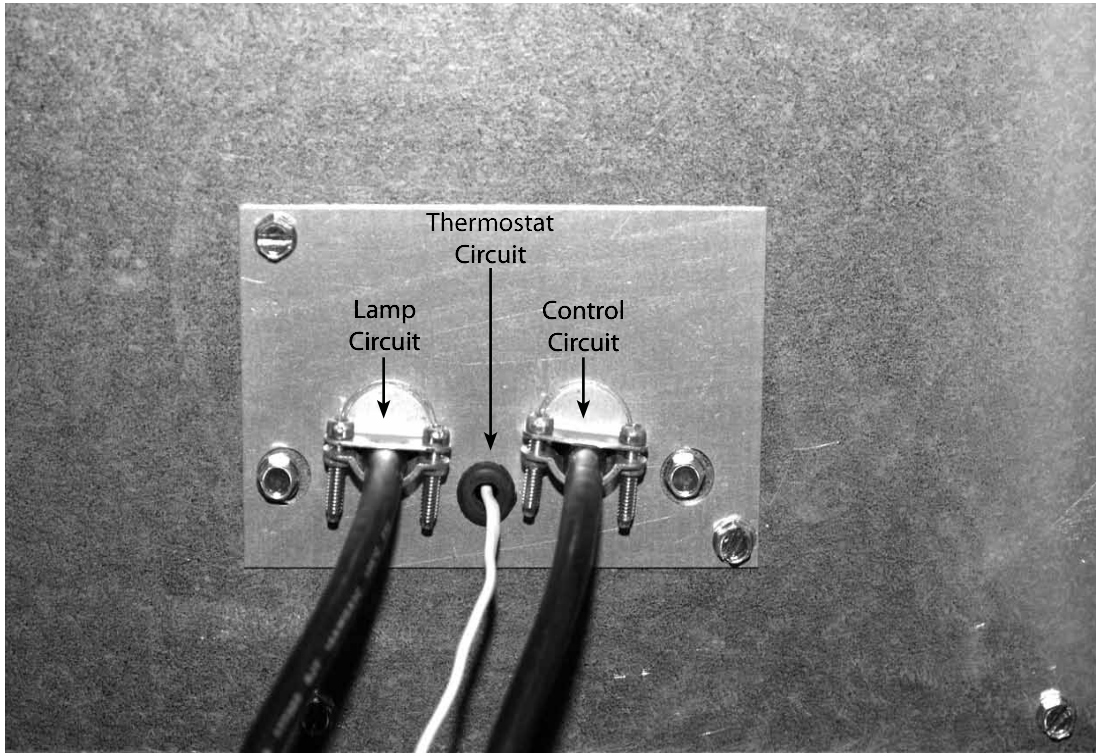


Figure 17 - Wiring Tunnel Cover Plate

Figure 17 shows the Wiring Tunnel Cover Plate with circuit wires installed.

To make the required electrical connections:

- a) Remove the two screws holding the Cover Plate in place.
- b) Pass the Lamp Circuit wire through the left hand wire clamp and the Control Circuit wire through the right hand wire clamp.
- c) Tighten the wire clamps *while leaving at least ten inches of Lamp Circuit and Control Circuit slack inside the Wiring Tunnel*. This slack will allow the connections to be in compliance with the National Electrical Code.
- d) Using wire nuts, connect the Lamp Circuit to the blue and purple wires and connect the Control Circuit to the white and black wires.
- e) Connect the green ground wire to an appropriate ground in accordance with local codes, or, in the absence of local codes, with either the National Electrical Code ANSI/NFPA 70, for installations in the U.S. or the Canadian Electrical Code, CSA C22. 1 for installations in Canada.
- f) While ensuring that at least ten inches of slack remains within the Wiring Tunnel, run the thermostat wire to the work box and connect it to the receiver.
- g) With the connections secure, push all slack inside the Wiring Tunnel and attach the Cover Plate.

INSTALLATION - ELECTRICAL ASSEMBLY

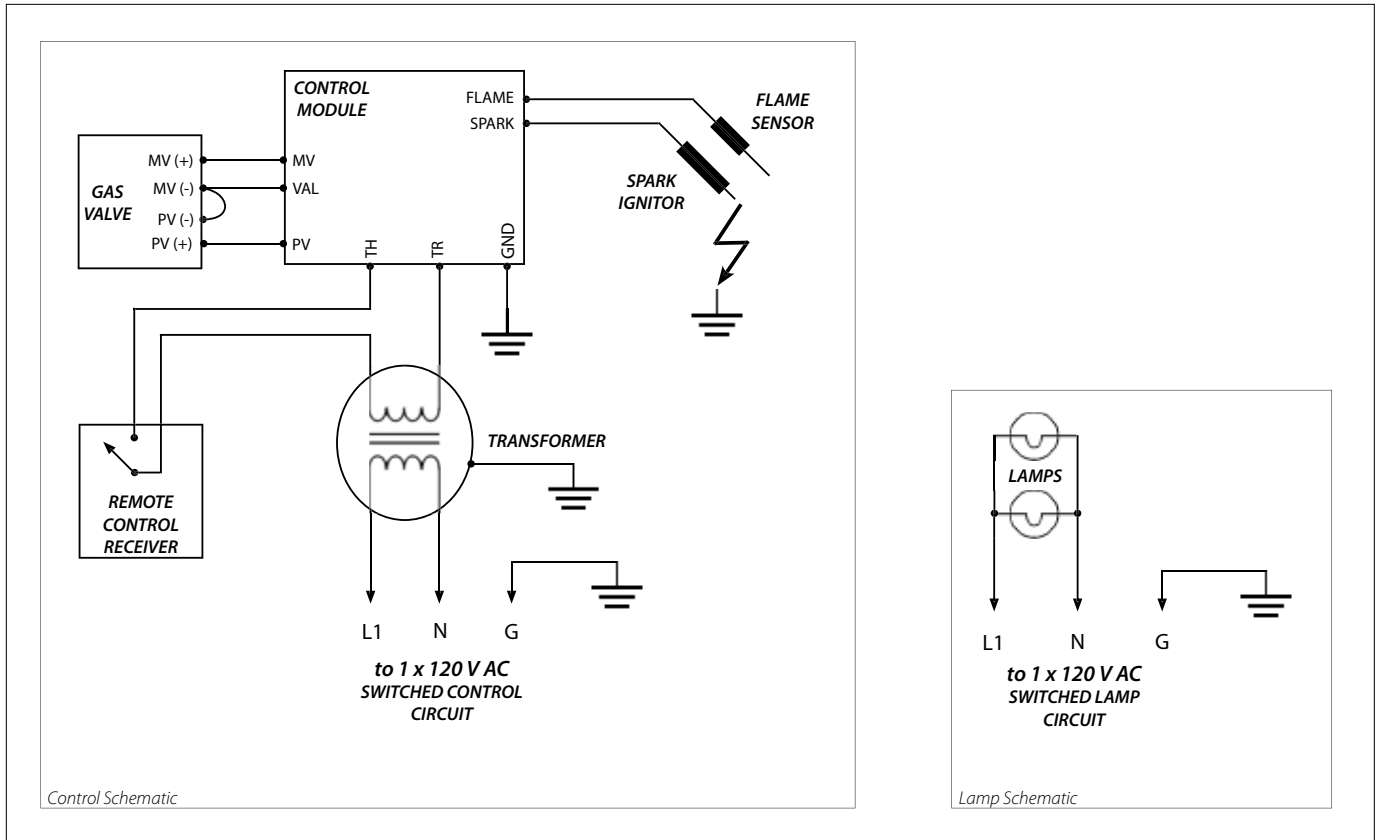


Figure 18 - Lamp and Control Electrical Schematic Diagrams

Name	Color	Voltage
Receiver (Remote Control)	WHITE	24V AC
	RED	24V AC
Transformer Power	BLACK	110V AC
	WHITE	110V AC
Lamp Power	BLUE	110V AC
	PURPLE	110V AC
Device Ground	GREEN	—

Table 7 - Wire Colors for External Connections

INSTALLATION - GAS SUPPLY

5. INSTALL THE GAS SUPPLY

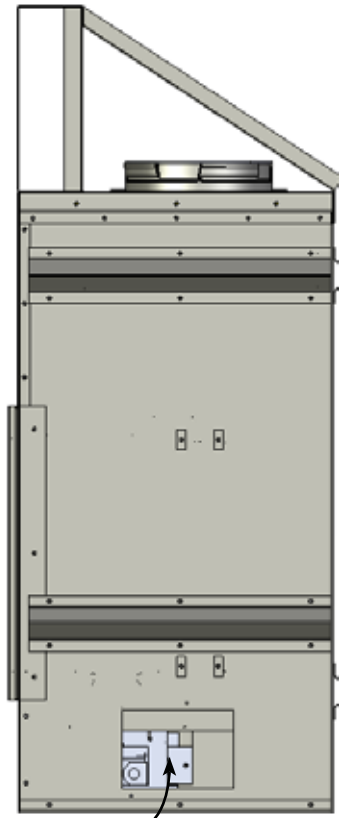
Section 5 details the Gas Installation portion of your project.

Note

This product must be installed by a licensed plumber or gasfitter when installed within the Commonwealth of Massachusetts.

The installation of the Halcyon Gas Fireplace must conform with local codes or, in the absence of local codes, with the *National Fuel Gas Code, ANSI Z223.1 in the U.S.* or the *Canadian Installation Code, CAN/CGA B149.1 in Canada.*

The Halcyon Gas Fireplace is shipped from the factory for use with natural gas. If LP gas is to be used the Halcyon Gas Fireplace must be converted using the H50-SA-LPCK-01 LP Conversion Kit *only*. Refer to the instructions included in the Conversion Kit.



Opening for Burner Connection

Figure 19 - Right Side of Cabinet Showing Gas Supply Opening

Route the gas supply into the right side of the Fireplace cabinet (see Figure 19). The gas supply piping should have a separate gas shutoff valve and a capped, $\frac{1}{8}$ " pipe tapping upstream of the valve for the purpose of reading pressure. A service shutoff valve must be placed within six feet of the Halcyon gas control valve.

The gas supply line must terminate with a $\frac{3}{8}$ " male flare fitting.

The Halcyon Gas Fireplace and its main control valve must be disconnected from the gas supply system during any pressure testing of that system at test pressures in excess of $\frac{1}{2}$ psi (3.5 kPa). The Halcyon Gas Fireplace must be isolated from the gas supply system by closing the service valve during any pressure testing of the gas supply system at test pressures equal to or less than $\frac{1}{2}$ psi (3.5 kPa).

Verify the gas pressure using the upstream $\frac{1}{8}$ " pipe tap.

INSTALLATION

6. INSTALL THE INTERIOR PANELS

- a) While wearing gloves, remove any protective film from each of the ten interior panels. Handle the panels with care so as to leave as few marks as possible. This will make cleaning them easier.
- b) Set the left and right side panels (1, 2) into place in the order shown in *Figure 20*. Fasten panels 1 and 2 with their top clips.
- c) Set the four rear panels (3, 4, 5, 6) into place as shown in *Figure 20*. Fasten panels 3 and 4 and panels 5 and 6 with the top clips. Ensure that there are no gaps between the panels and that they are centered.
- d) Set the four bottom panels (7, 8, 9, 10) into place in the order shown in *Figure 20*.
- e) Clean all of the panels completely *before* the First Fire. If the panels are not completely clean the heat can cause permanent stains. See the MAINTENANCE section.

Figure 20 shows Stainless Steel panels; other panel types are also available.

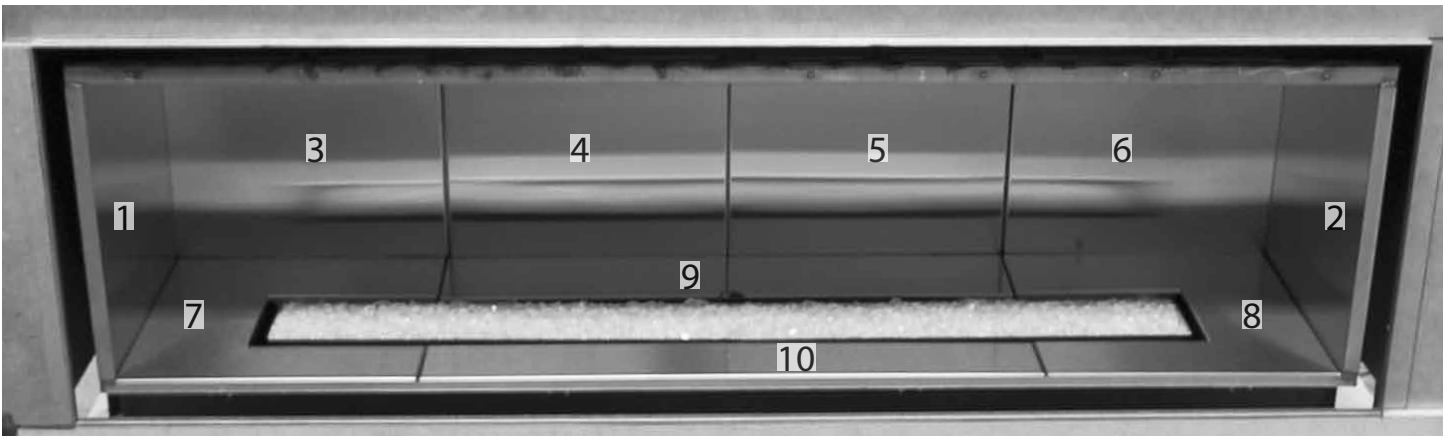


Figure 20 - Halcyon Panel Numbers

7. INSTALL THE MEDIA

The contents of the bag of Burner Media should be spread to an even depth over the entire burner top.

- a) Cut one corner of the bag to form a pouring spout through which the flow of Media can be controlled.
- b) Begin at the left end pour the Media onto the center of the burner tray while moving to your right. Care should be taken to avoid spilling the Media into the bottom of the cabinet. Note that if some spillage does occur there will be no harm but less Media.
- c) After the bag has been emptied on the burner carefully smooth the Media to a uniform depth on the tray. *Be certain that glass does not come within 1/4" of the pilot burner hood. Both parts of the pilot flame must be present as in Figure 21.*
- d) If you have ordered other Media, such as Stones, lay it on and around the burner taking care to avoid covering more than 10 percent of the opening between the burner top and the hearth panels.

INSTALLATION



CAUTION

Do not operate this appliance with the glass panel removed, cracked or broken. Replacement of the glass panel should be done by a licensed or qualified service person.

8. INSTALL THE GLASS PANEL ASSEMBLY

Proper care of the glass panel assembly is important for the safe operation of the Halcyon Gas Fireplace. Do not abuse the glass panel assembly by slamming, striking or scratching it.

When replacing the glass panel assembly use *only* European Home part number H50-SA-GP-01, substitute parts are not permitted. Replacement part numbers are listed in the MAINTENANCE section. Replacement of the glass panel assembly should be done by a qualified service person. Due to the size and weight of the glass panel assembly, caution should be exercised when removing or installing it.

Removing and installing the glass panel assembly requires it to be held as vertically as possible. Take care to not scratch the finish on the glass panel frame as it is moved in and out. See *Figure 22*.

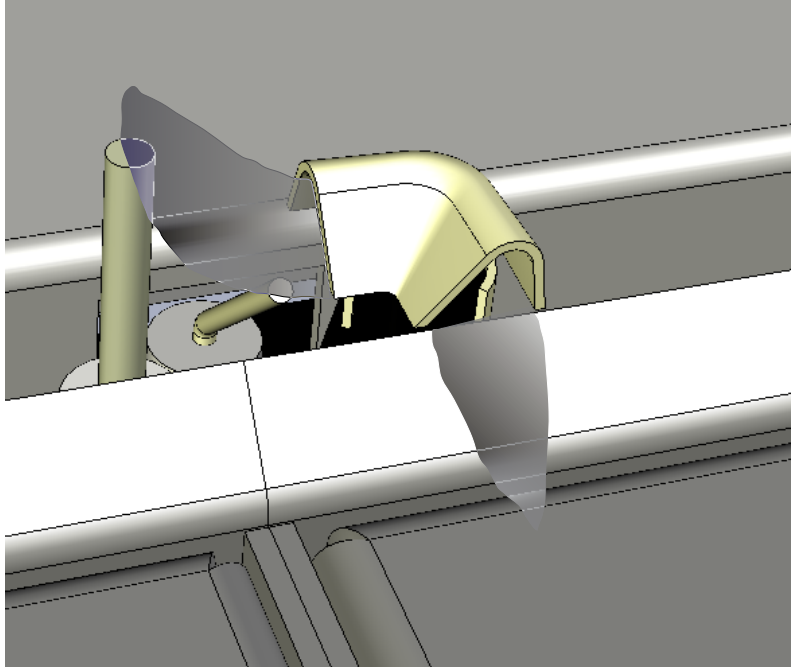


Figure 21 - Correct Pilot Burner Flame Pattern



Figure 22 - The Vertical Installation of the Glass Panel Assembly

INSTALLATION

In order to ease the latching/unlatching of the glass panel assembly, the Halcyon Gas Fireplace comes equipped with a standard $\frac{3}{8}$ " combination wrench. The wrench is used to make it easier to move the latches – your fingers can do the job just as well.

The tab on the handle of the latches is sized to accept the "box", or closed, end of the wrench. Holding the wrench at about a 45° angle to the latch, slip the box end of the wrench over the tab of the latch thus creating an extension of the latch. See *Figure 23*.

To **remove** the glass panel assembly, refer to *Figure 23* and:

- a) Unfasten Latch 2 and Latch 3 by swinging Latch 2 clockwise and Latch 3 counter-clockwise until they swing free of their catches.
- b) Unfasten Latch 1 and Latch 4 by swinging Latch 1 clockwise and Latch 4 counter-clockwise until they swing free of their catches.
- c) Using two hands, swing the bottom edge of the panel out and lift the top of the panel off its mounting rail while moving the glass panel toward yourself.

To **install** the glass panel assembly, refer to *Figure 23* and:

- a) Tilt the top of the glass panel in towards the Fireplace and hang the top lip on its mounting rail on the Fireplace ensuring that the glass is centered on the face and the gasket does not get pinched at the top of the frame.
- b) Fasten Latch 2 and Latch 3 by swinging Latch 2 counter-clockwise and Latch 3 clockwise until they engage their catches. Fasten the two latches at the same time to ensure that the panel remains centered.
- c) Fasten Latch 1 and Latch 4 by swinging Latch 1 counter-clockwise and Latch 4 clockwise until they engage their catches.

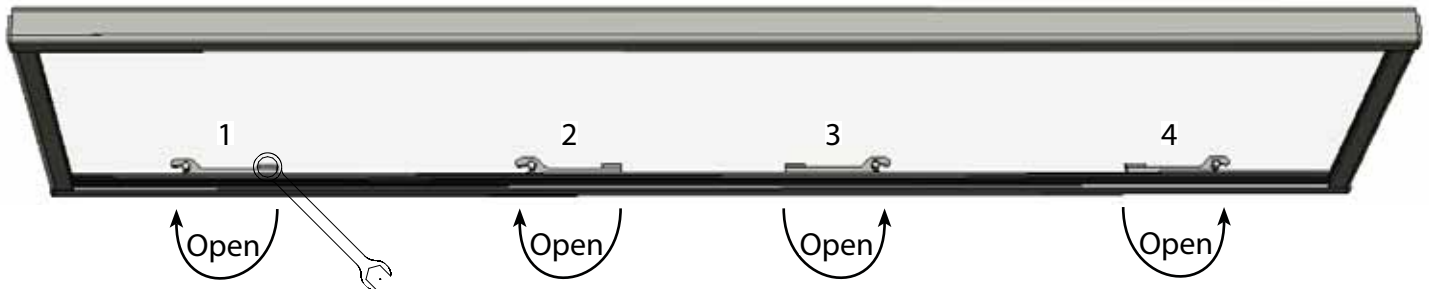


Figure 23 - Four Latches Holding the Glass Panel Assembly (shown from above)

INSTALLATION - VENTING

9. CONFIGURING THE VENTING

This section provides venting information which is specific to the Halcyon Gas Fireplace.

The Halcyon Gas Fireplace is a direct vent fireplace that uses a co-axial or “pipe within a pipe” venting system. The outer “pipe” or vent (8” diameter) conducts outside air into the Fireplace and the inner vent (5” diameter) carries the exhaust outside. This technology, which can run either horizontally through a side wall or vertically through the roof, produces an efficient system because conditioned building air is not used for combustion.

All of the following bulleted points apply to every installation:

- The Halcyon Gas Fireplace requires 5”/8” direct vent components from any of the manufacturers listed in *Table 8*. Approved terminations are also listed in *Table 8*.
- All measurements are taken from the center of the vent connector on the top of the Halcyon cabinet (see *Figure 24*) and all configurations must fall within the acceptable range of *Chart 1*.
- The maximum allowable rise is forty feet and the maximum allowable run is fifteen feet but not in combination; see *Chart 1*.
- The minimum vent configuration is a 12” vertical rise to a 90° elbow plus a 6” horizontal run to a sidewall termination. This means that the first vent section must be a 12”, or longer, vertical section.

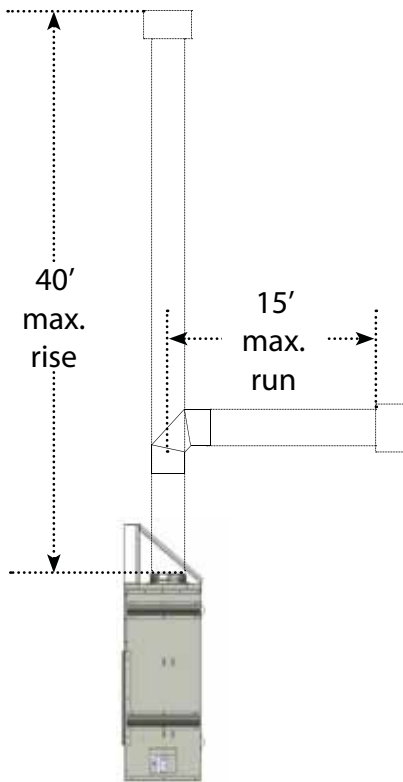


Figure 24- Maximum Venting

APPROVED TERMINATIONS by MANUFACTURER			
Manufacturer	Horizontal	Vertical	Snorkel
American Metal Products Group	5DHCS, 5DHC	5DVC	—
Selkirk Corp.	5DT-HC	5DT-VC, 5DT-VT	5DT-ST14
Simpson Manufacturing, Inc.	58DVA-HC	58DVA-VC	—

Table 8 - Approved Terminations by Manufacturer

INSTALLATION - VENTING

- When installed with one foot of rise, the Halcyon can be installed with no more than two 90° elbows OR four 45° elbows OR a combination totaling no more than 180° 'elbow degrees'. For example, a combination of one 90° elbow and two 45° elbows is allowed ($90^\circ + 45^\circ + 45^\circ$ equals 180°) but a combination of two 90° elbows and two 45° elbows is not allowed (the total equals 270° .)
- When installed with more than one foot of rise, the Halcyon can be installed with no more than three 90° elbows OR six 45° elbows OR a combination totaling no more than 270° 'elbow degrees'. For example, a combination of two 90° elbows and two 45° elbows is allowed ($90^\circ + 90^\circ + 45^\circ$ equals 270°) but a combination of two 90° elbows and three 45° elbows is not allowed (the total equals 315° .) These elbows can be installed either horizontally or vertically.
- The first 90° elbow must have the Horizontal Heat Shield either mounted to the top of the elbow with the enclosed Heat Shield Mounting Bracket or mounted on the wall as shown in *Figure 25*.
- A minimum clearance of 1½" must be maintained between combustible materials and any horizontal or vertical vent pipe surface.
- The horizontal parts of the venting must be pitched up, away from the Fireplace. For every 12 inches of horizontal run, the venting must rise ¼" toward the termination. The venting must never run downward.
- Whenever venting passes through a wall, a heat shield, or 'wall thimble', from any of the manufacturers listed in *Table 8* must be installed.

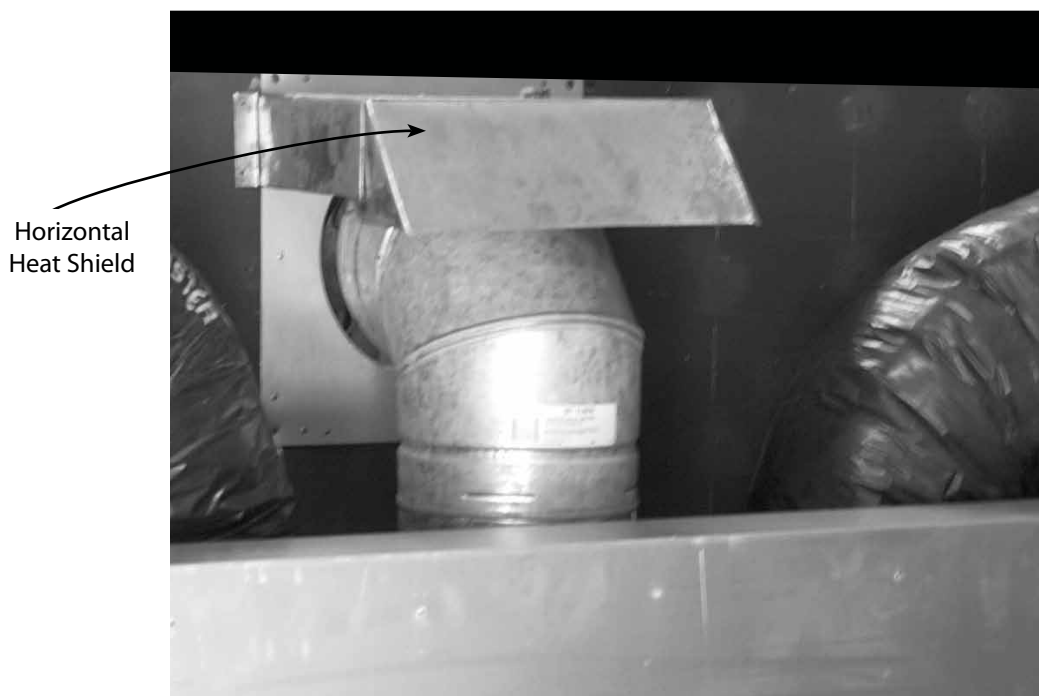


Figure 25 - Horizontal Heat Shield

INSTALLATION - VENTING

10. ADJUSTING THE DRAFT

As the Halcyon Gas Fireplace warms the attached venting, a draft is created. This draft acts on both the intake and exhaust sides of the venting and produces an effect on the Fireplace flames. In order to obtain the performance for which the Halcyon was designed, the air intake and exhaust outlet must be adjusted *before* the installation is complete.

These adjustments are made by setting an Adjustment Quadrant according to *Chart 2* (when burning natural gas) or *Chart 3* (when burning LP gas.) On each *Chart* the air intake setting is designated by a letter from A through E and the exhaust outlet setting is designated by a number from 0 through 4.

Because the Quadrants are accessible only through the right hand opening in the cabinet face (shown in *Figure 26*), the wall must remain open until the Fireplace has been tested and is operating properly.

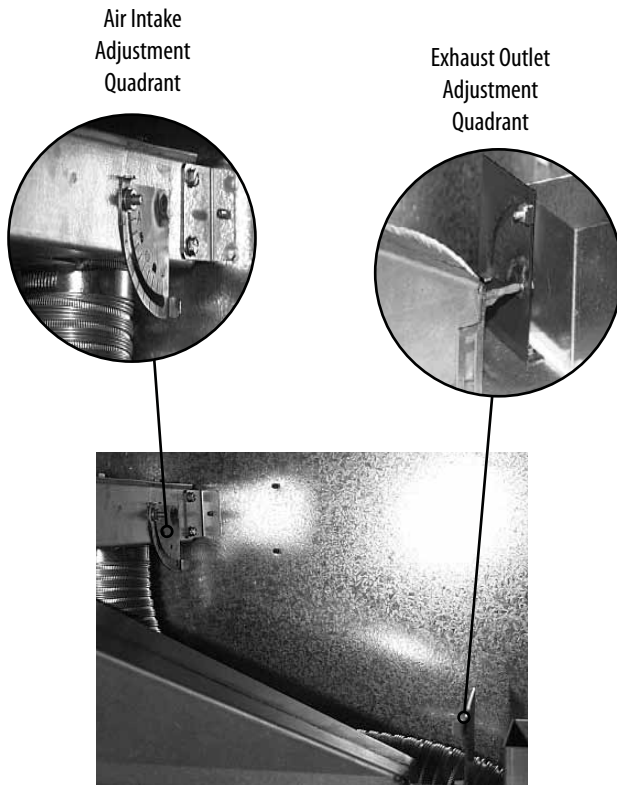


Figure 26 - Restrictor Adjustment Quadrants

Setting the Restrictors

The Restrictor Settings Charts (pages 32-33) accommodate venting configurations with up to forty feet of rise and fifteen feet of run but not both.

- Measure the total amount of vertical rise and the total amount of horizontal run in your configuration. (The example in *Figure 26* has 8 feet of rise and 9 feet ($3' + 6' = 9'$) of run.)
- Using the appropriate *Chart* (Natural or LP gas), find the number equal to your rise in the lefthand column and the number equal to your run in the bottom row.
- The intersection of your rise and run will be in a distinct section of the *Chart* labeled with a double box like this:



If the intersection square is black the vent configuration is NOT allowed. The lefthand half of the box shows the setting for the Air Intake Adjustment Quadrant and the righthand half shows the setting for the Exhaust Outlet Adjustment Quadrant.

INSTALLATION - VENTING

- d) Loosen the wingnut holding the Air Intake Adjustment Quadrant and turn the Quadrant to align the index mark with the appropriate setting on the Quadrant. Tighten the wingnut so that Quadrant can't move.
- e) Loosen the wingnut holding the Exhaust Outlet Adjustment Quadrant and turn the Quadrant to align the index mark with the appropriate setting on the Quadrant. Tighten the wingnut so that Quadrant can't move.

Example A

Using the vent configuration shown in *Figure 27*, and assuming LP gas fuel, we see that the intersection of 8 feet (total rise) and 9 feet (total run) falls within the section labeled: **B¹/₂: 2¹/₂**

This means that the Air Intake Adjustment Quadrant is set to a position one half of the way between **B** and **C** and the Exhaust Outlet Adjustment Quadrant is set to a position one half of the way between **2** and **3**.

Example B

With the same *Figure 27* example but assuming natural gas fuel, the intersection of an 8 foot rise and a 9 foot run falls within the section labeled: **C¹/₂: 3¹/₄**

In this case, the Air Intake Adjustment Quadrant is set to a position one half of the way between **C** and **D** and the Exhaust Outlet Adjustment Quadrant is set to a position one quarter of the way between **3** and **4**.

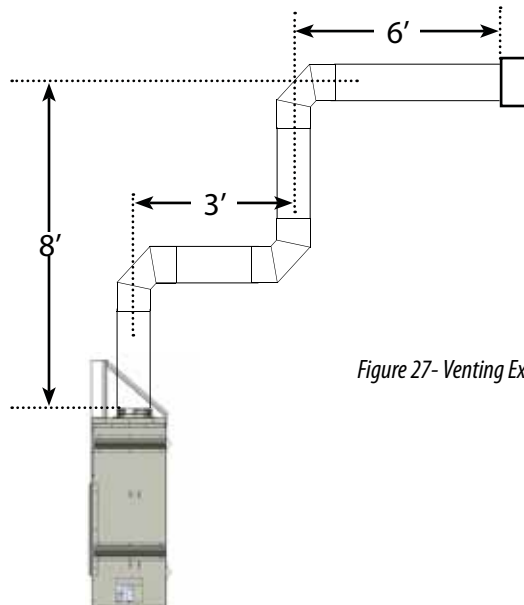


Figure 27- Venting Example

INSTALLATION - VENTING

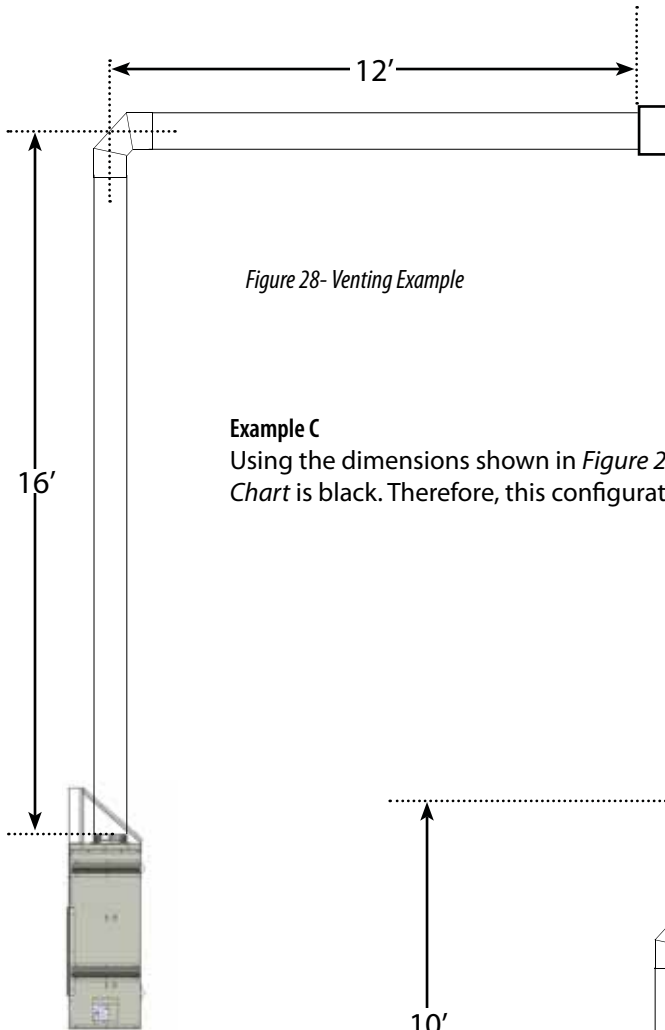


Figure 28- Venting Example

Example C

Using the dimensions shown in *Figure 28*, the intersection of the rise (16') and run (12') on either *Chart* is black. Therefore, this configuration is not allowed.

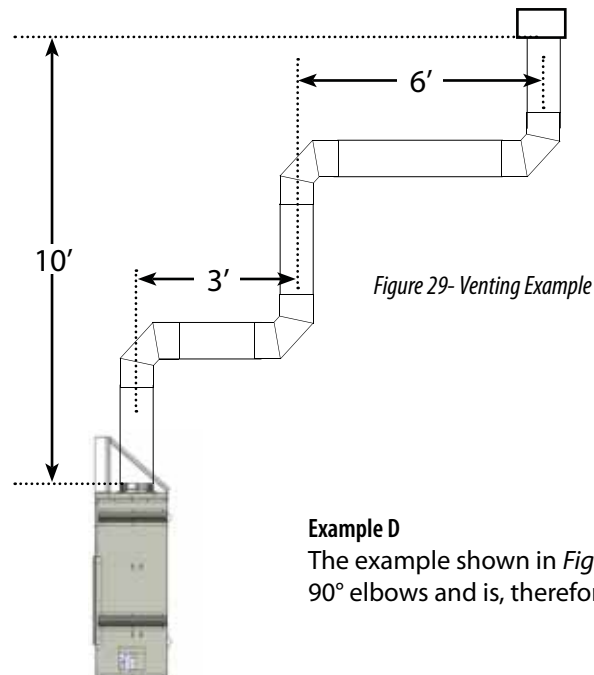


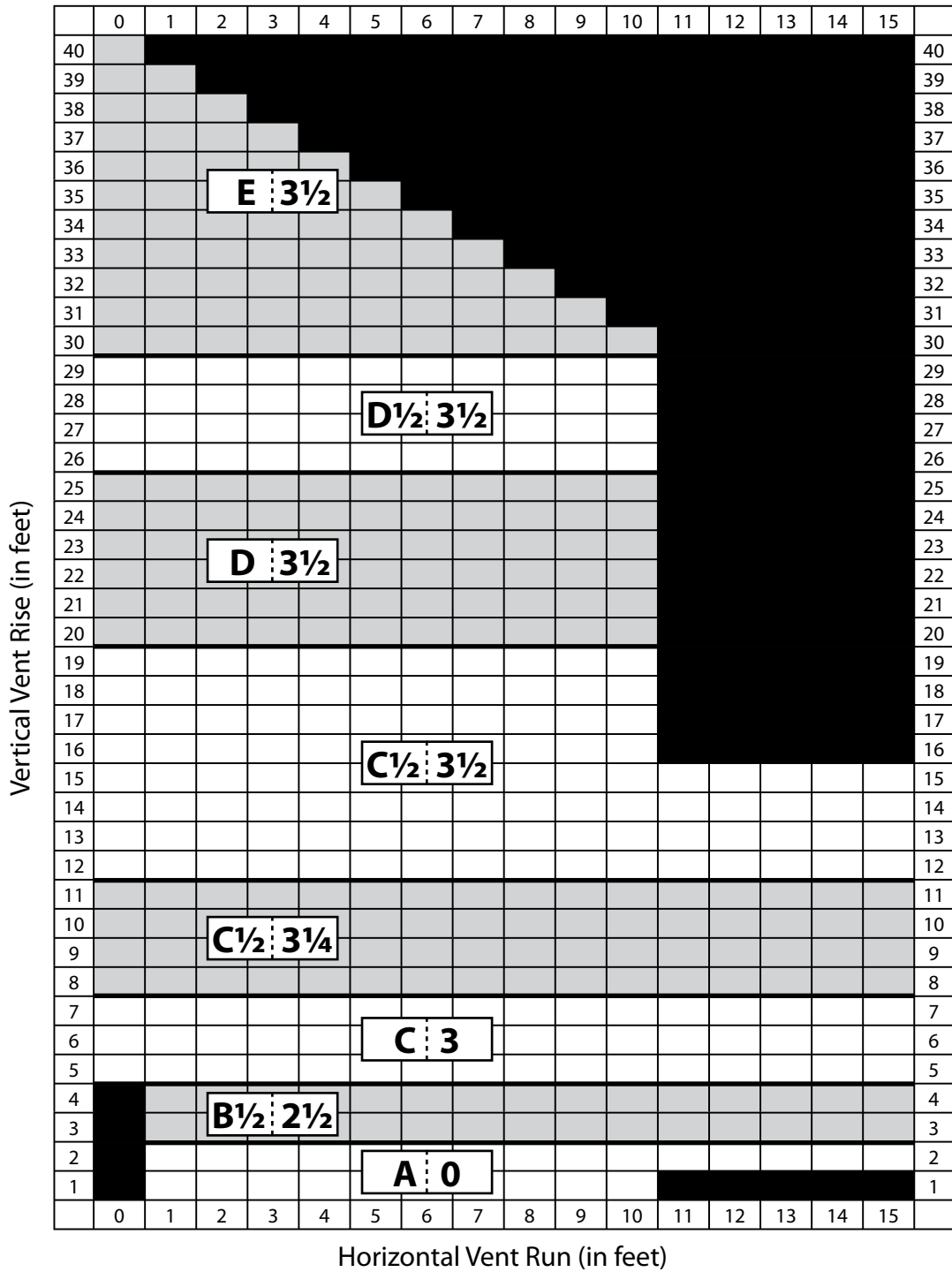
Figure 29- Venting Example

Example D

The example shown in *Figure 29*, (10' of rise and 9' of run) has four 90° elbows and is, therefore, not allowed.

INSTALLATION - VENTING

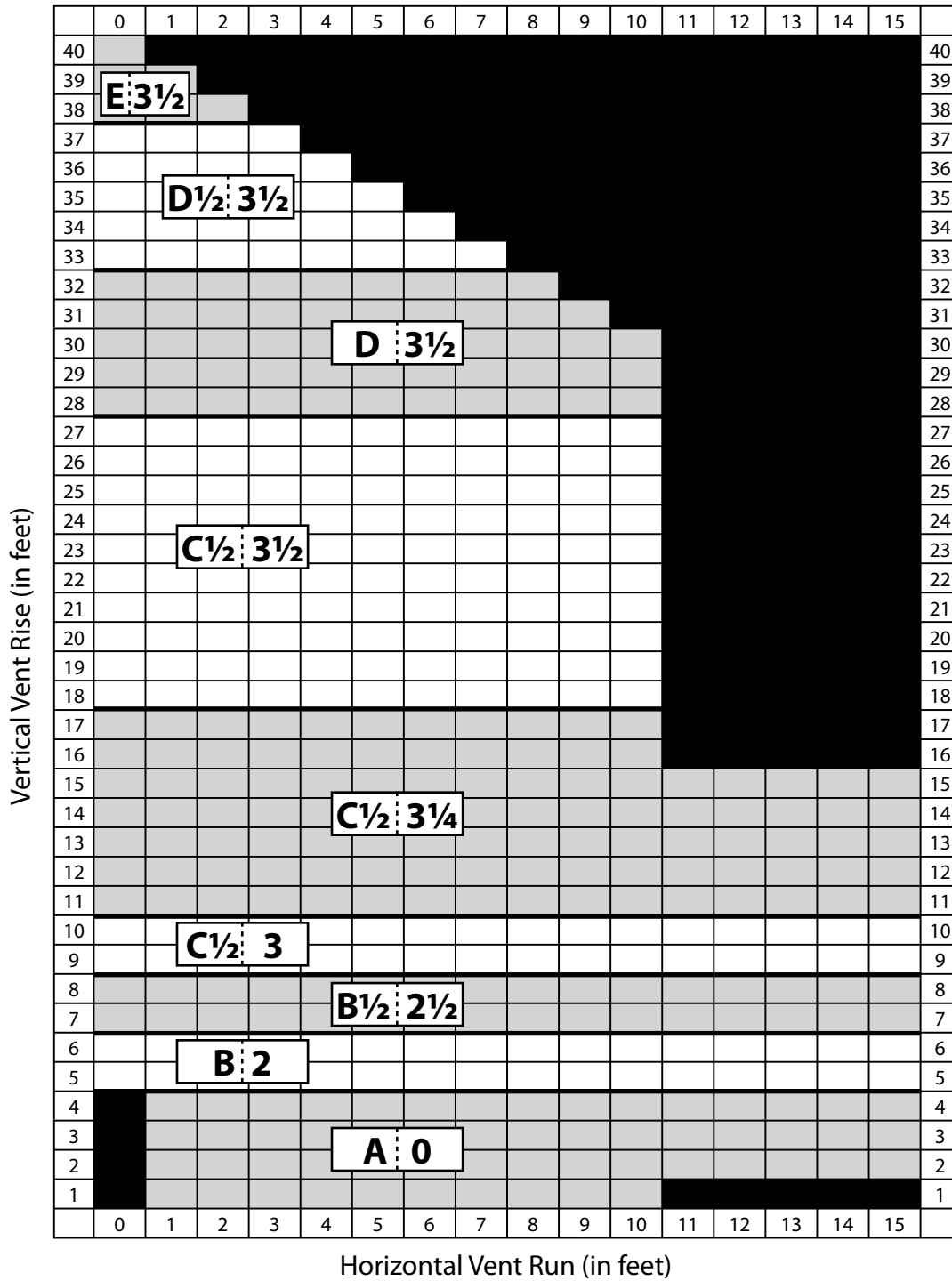
Chart 2 - Air Intake and Exhaust Outlet Restrictor Settings - NATURAL GAS



Air Intake Restrictor Setting → i e ← Exhaust Outlet Restrictor Setting
 ← Venting NOT Allowed

INSTALLATION - VENTING

Chart 3 - Air Intake and Exhaust Outlet Restrictor Settings - LP GAS



Air Intake Restrictor Setting → **i e** ← Exhaust Outlet Restrictor Setting
 ■ ← Venting NOT Allowed

INSTALLATION - REMOTE HEAT KIT

11. INSTALLING THE REMOTE HEAT KIT

The Halcyon Remote Heat Kit provides a method by which heat is moved away from the Halcyon Gas Fireplace. This serves two purposes; to lower the temperature of the wall face above the Halcyon and to provide heat to another part of the room or building.

The Remote Heat Kit consists of the following pieces:

- Flexible Insulated Duct
- (2) 10" x 12" Duct Boxes
- (2) Duct Collars

NOTE: A grille for each duct box is NOT included and must be provided by the customer. The grille MUST have a minimum open area of 41%.

PLANNING

The Remote Heat Kit operates passively; it has no fan. This means that your installation must allow for the unobstructed, free flow of warm air from the Halcyon Gas Fireplace, through the duct and out of the duct boxes. This can be accomplished by ensuring that:

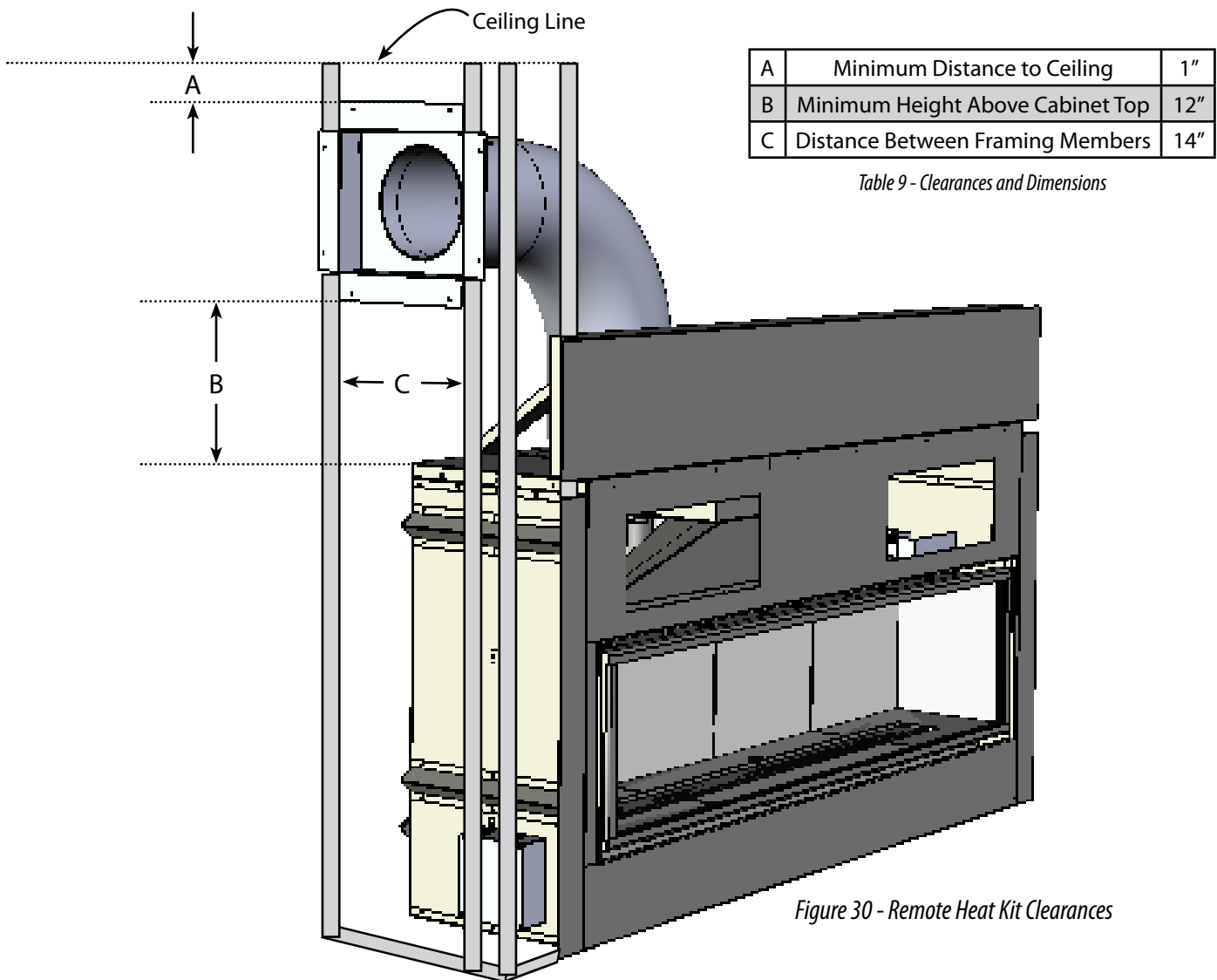
- a. the duct always rises *and*
- b. the duct is never blocked *and*
- c. the duct boxes are at the high point (and the Halcyon is at the low point) of the Heat Kit installation.

For best performance, i.e. the lowest wall temperature and most warm air, both Remote Heat ports on the Halcyon Gas Fireplace must be opened and have ducts properly attached. If only one port is ducted the resulting wall temperature will be higher than if two ports are ducted.

The Remote Heat Kit components can accommodate several different installation configurations but the following applies to every installation:

- When installed, the center of the Remote Heat Kit duct box must be at least 12 inches above the top of the cabinet and should be in line with the center of the cabinet.
- The insulated duct can be no longer than 10 feet.
- At least 30% of the total length of the insulated duct must run vertically.
- When choosing the duct box finish, do not use a register instead of a grille. If the flow of warm air from the Halcyon Gas Fireplace is blocked the wall above the Glass Panel Assembly will be subjected to elevated temperatures. The grille MUST have a minimum open area of 41%.
- The insulated duct must not terminate in a floor-mounted grille; only wall-mounted grilles are permitted.
- The top of the duct box must be at least one inch below any ceiling or mantel. See *Figure 30*.
- All ducts must be fixed so as to remain at least 1½" away from any vertical venting component and 6" away from any horizontal venting component.
- The ducts must always terminate within the building envelope AND the ducts MUST terminate in an area which allows the free flow of cool air back to the fireplace front. Do not terminate the ducts in an enclosed room or space.

INSTALLATION - REMOTE HEAT KIT

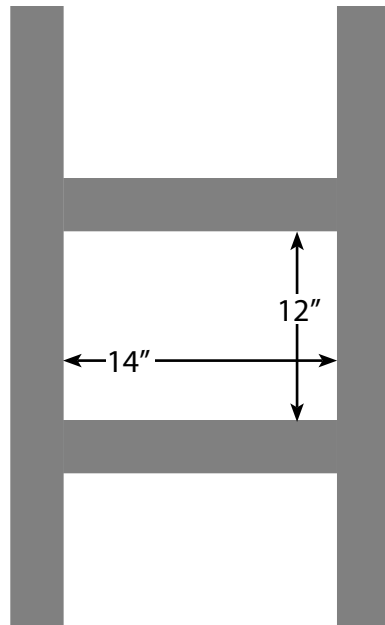


INSTALLATION (Two Ducts)

- Remove the screws holding the left and right upper cover. Remove both covers. See *Figure 32*.
- Remove the insulation discs and lower covers.
- Leave the two gaskets in place on the cabinet top.
- Place two duct collars on the cabinet top, one around each of the ports and align them with the existing screw holes.
- Screw each duct collar to the cabinet.
- Mount the left and right duct boxes within their respective rough openings. See *Figure 31*.
- Cut the insulated duct into the appropriate lengths from that supplied in the kit.

INSTALLATION - REMOTE HEAT KIT

Figure 31 - Duct Box
Rough Opening Dimensions



- h) Push the poly sheath and insulation back to expose the metal core. It is easier to pull the metal core onto both the duct box and duct collar than to push it.
- i) Working with one hand inside and one hand outside, slowly work the metal core onto both the duct box and duct collar.
- j) Secure each end with two sheet metal screws.

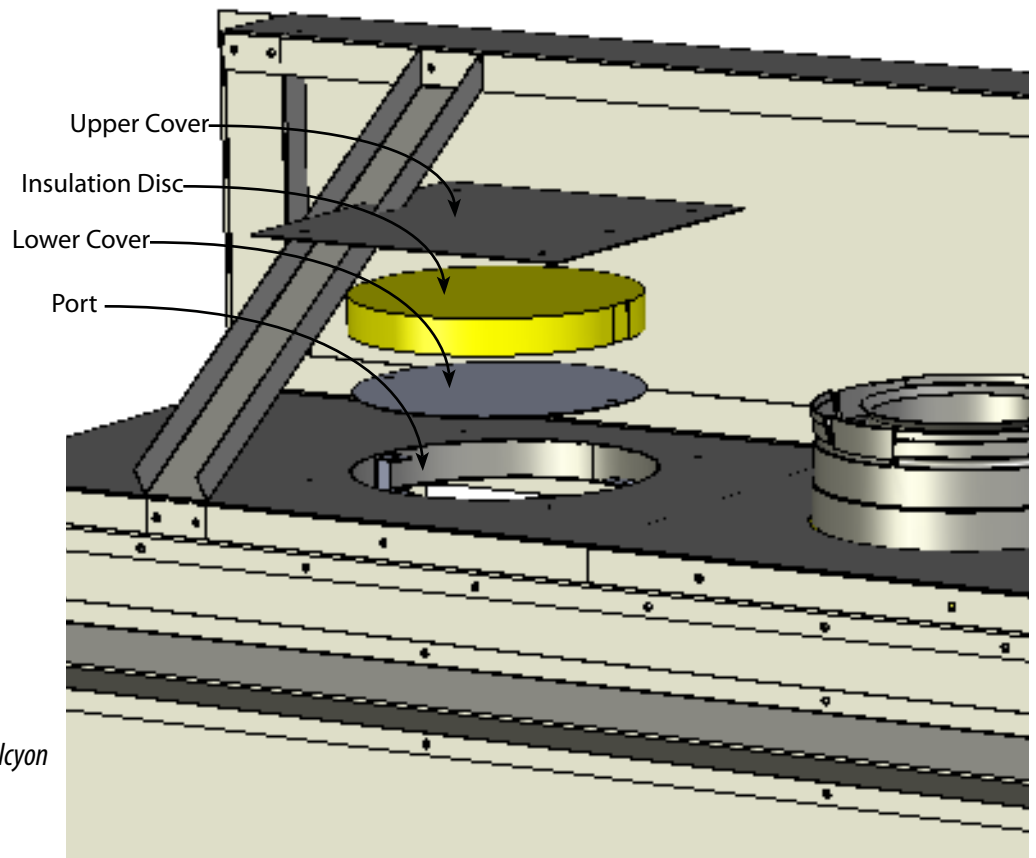


Figure 32 - Exploded View of the Halcyon
Remote Heat Port.

INSTALLATION - REMOTE HEAT KIT

OPERATION

As the Halcyon Gas Fireplace heats the air within the cabinet it rises up through the insulated ducts and out through the grilles. This heated air is replaced with cooler room air that enters the cabinet from around the Glass Panel Assembly. When the Halcyon cools, the movement of air stops.

NOTE: Make sure that the Heat Kit can move air away from the fireplace; otherwise the wall face above the fireplace will be subjected to elevated temperatures. Refer to Section P2 (PRE-INSTALLATION PLANNING) for more information.

REPLACEMENT PARTS

If replacement parts are required, only parts made specifically for your Halcyon Gas Fireplace can be used. Failure to use only parts specifically approved with this appliance may result in property damage or personal injury. Table 9 lists parts approved for use in the Halcyon Gas Fireplace.

Part Number	Description
H50-SA-INDP-01	Insulated Duct
H50-SA-DB-01	Duct Boxes and Collars

Table 9 - Replacement Parts List

OPERATING the FIREPLACE

12. BEFORE THE FIRST FIRE

1. Make sure all construction materials have been removed from inside and around the Fireplace.
2. Confirm the proper placement of the interior panels.
3. Confirm the proper placement of the burner media.
4. Confirm that the electrical wiring is properly connected.
5. Check the gas supply for leaks.
6. Close and properly latch the glass panel.
7. Check that the venting is unobstructed and in proper working condition.

13. THE FIRST FIRE

How to light your Halcyon Gas Fireplace for the first time is detailed in this section.

The first time you light your Halcyon Gas Fireplace an odor may be given off by the unit. This is normal and is a result of the 'burn off' of the lubricants and sealants used when manufacturing the Fireplace. We recommend that you open the nearby windows for extra ventilation and operate the Fireplace for at least four hours.

Upon lighting the Fireplace when the glass is cold, some condensation may appear on the glass. This is normal and the condensation will disappear as the glass warms.

During this first fire, examine the flame for appearance and quality. Examine the burner media for sooting. The flames should look like those shown in *Figure 33*.

After this burn-off period, turn off the Fireplace and let it cool completely to room temperature and clean both sides of the glass and the interior panels as described in the **MAINTENANCE** section.

Since it is a metal fireplace, the heat-up and cool-down cycles may produce some noises caused by the expansion and contraction of these metals. The premium materials and build quality of your Halcyon Gas Fireplace will keep these sounds to a minimum.



Figure 33- Halcyon Flames

OPERATING the FIREPLACE

LIGHTING AND OPERATING THE HALCYON GAS FIREPLACE

FOR YOUR SAFETY READ BEFORE LIGHTING

WARNING: If you do not follow these instructions exactly, a fire or explosion may result causing property damage, personal injury or loss of life.

- A. This appliance is equipped with an ignition device which automatically lights the pilot. Do not try to light the pilot by hand.
- B. BEFORE LIGHTING, smell all around the appliance area for gas. Be sure to smell next to the floor because some gas is heavier than air and will settle on the floor.

WHAT TO DO IF YOU SMELL GAS

- Do not try to light any appliance.
 - Do not touch any electric switch; do not use any phone in your building.
 - Immediately call your gas supplier from a neighbor's phone. Follow the gas supplier's instructions.
 - If you cannot reach your gas supplier, call the fire department.
- C. Do not use this appliance if any part has been under water. Immediately call a qualified service technician to inspect the appliance and to replace any part of the control system and any gas control which has been under water.

LIGHTING INSTRUCTIONS

1. STOP! Read the safety information above.
2. This appliance is equipped with an ignition device which automatically lights the pilot. Do not try to light the pilot by hand.
3. Set the Flame Switch to OFF.
4. Wait five (5) minutes to clear out any gas then smell for gas including near the floor. If you smell gas, STOP! Follow "B" in the Safety Information above. If you don't smell gas, go to the next step.
5. Set the Flame Switch to ON. The system will spark to light the pilot flame. When the pilot flame is lit the main burner will light.
6. If the pilot flame does not light go to Step 3, above.

TO TURN OFF GAS TO APPLIANCE

Set the Flame Switch to OFF to turn off the appliance.

COMPLETING the INSTALLATION

14. FINE-TUNING the FIREPLACE

This section will help you get the best performance from your Halcyon Gas Fireplace.

Note

DO NOT enclose the Halcyon Gas Fireplace until:

- all venting is properly and permanently connected
- the gas supply and electric supply have been tested and are operating properly
- the installation has been inspected and approved by the local code inspection authority
- the Fireplace has been fired and fine-tuned

The settings shown on Charts 2 and 3, along with the primary air settings, are the result of extensive testing and are sufficient in nearly every case. However, additional adjustments may be required by certain, specific installation conditions. For example, an installation on a north wall may require settings which are slightly different from those used in a south wall installation. You'll know if further fine-tuning is required by looking at the flames in a Fireplace which has been operating for at least an hour.

The flames on your Halcyon Gas Fireplace should be mostly yellow, about four inches long and have some motion to them. They should be neither short and blue nor long and sooty. If, after operating your Fireplace for at least one hour, the flames look good then no further adjustment is necessary. See *Figure 33*.

If an adjustment is necessary it is dependent on the type of fuel that is being used. When burning natural gas, flames that are too short or too blue will be the most common observation. When burning LP gas, flames that are too long and too sooty will be most common. Each situation requires different actions.

This fine-tuning must be done with the Fireplace installed and operating. As the Fireplace surfaces will be very hot, care must be taken to avoid serious burns. Always wear gloves and other protective equipment.

SHORT, BLUE and NG

When burning natural gas and the flames are short and blue:

1. If they are open, completely close both primary burner air adjusters.
2. If the appearance of the flame did not change, adjust the air inlet restrictor by:
 - a) Loosening the intake quadrant locking wingnut
 - b) Adjust the intake quadrant up the scale by a ¼ increment
 - c) Tighten the wingnut and observe the flames
 - d) Repeat Step 2 until the flames are taller and more luminescent. If more than one full increment is required and the flames are still too blue and short then go to Step 3, below.
3. Adjust the exhaust restrictor by:
 - a) Loosening the exhaust quadrant locking wingnut
 - b) Adjust the exhaust quadrant up the scale by a ¼ increment
 - c) Tighten the wingnut and observe the flames
 - d) Repeat Step 3 until the flames are taller and more luminescent. If more than one full increment is required and the flames are still too short and blue there may be an installation problem. Consult with a European Home representative.

COMPLETING the INSTALLATION

LONG, SOOTY and LP

When burning LP gas and the flames are long and sooty:

1. If the primary burner air adjusters are installed, remove them
2. If the appearance of the flame did not change, adjust the air inlet restrictor by:
 - a) Loosening the intake quadrant locking wingnut
 - b) Adjusting the intake quadrant down the scale by a ¼ increment
 - c) Tighten the wingnut and observe the flames
 - d) Repeat Step 2 until the flame tips become shorter and lighter in color. If more than one full increment is required and the flames are still too long and sooty then go to Step 3, below.
3. Adjust the exhaust restrictor by:
 - a) Loosening the exhaust quadrant locking wingnut
 - b) Adjust the exhaust quadrant down the scale by a ¼ increment
 - c) Tighten the wingnut and observe the flames
 - d) Repeat Step 3 until the flames are shorter and more luminescent. If more than one full increment is required and the flames are still too long and sooty there may be an installation problem. Consult with a European Home representative.

Once all adjustments are made, tighten both the Air Intake and Exhaust Outlet Quadrant locking wing nuts. Turn the Fireplace off and let it cool to room temperature. Close the access doors before proceeding with the installation.

COMPLETING the INSTALLATION

15. FACING and FINISHING

You're almost finished!

The Halcyon Gas Fireplace is designed to be enclosed with common building materials; wood, drywall, plaster, etc.

- Any combustible mantels must be installed within the limits described in Section P4 (MINIMUM CLEARANCES TO COMBUSTIBLE MATERIALS.)
- Provided the required clearances are maintained, the walls that enclose the side and rear of the Halcyon Gas Fireplace may be constructed of combustible material. The facing within the limits shown in Figure 13, however, must be made of non-combustible material.
- The Halcyon was designed to be faced with approved ½" thick, non-combustible facing. This non-combustible facing can be installed up to the Facing Bead which surrounds the opening into which the glass panel is set. *Figure 34* shows a close-up view of the Facing Bead over which no material of any kind may be applied.
- The wall above the Fireplace opening is constantly exposed to elevated temperatures. This must be considered when choosing any fasteners, paint, mastic, sealant, caulk, etc. for use in this area as materials may change color or emit an odor when heated. Petroleum-based tile adhesives should be avoided and thin-set mortar used instead.

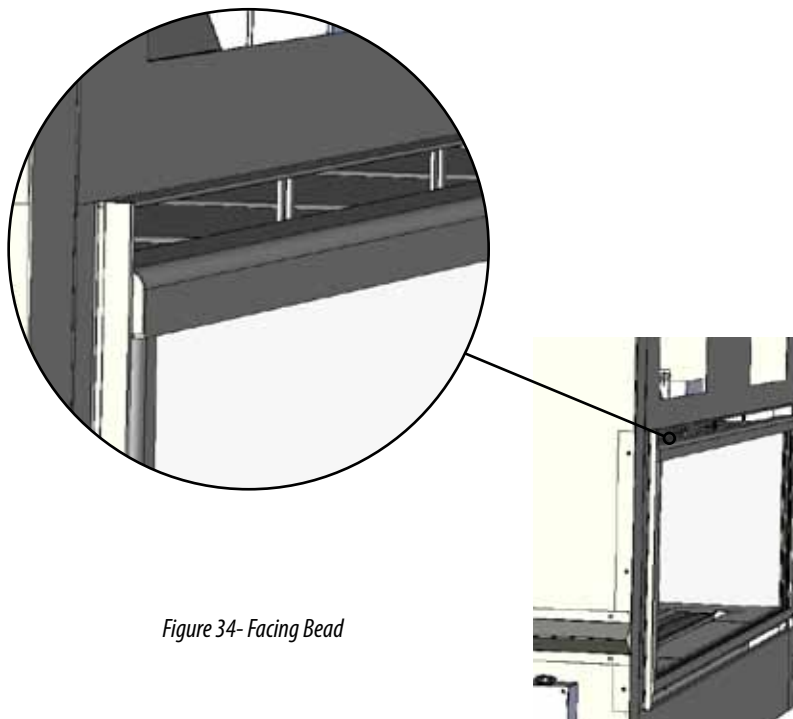


Figure 34- Facing Bead

MAINTENANCE



Figure 35 - Main Burner

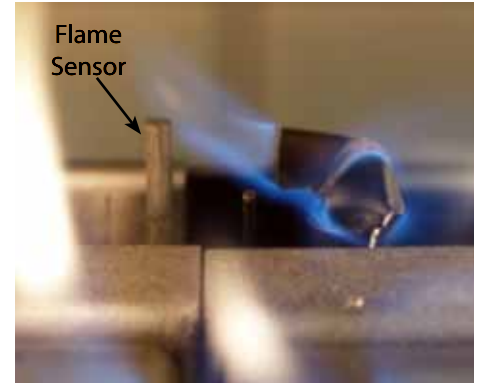


Figure 36 - Pilot Burner



WARNING

Before doing any maintenance work turn off both the gas supply and electric supply then allow the entire Fireplace to cool completely.

Do NOT clean the glass when it is hot!

To keep your Halcyon Gas Fireplace in peak condition, routine inspection and maintenance should be performed by a qualified service person. We recommend that this be done prior to the beginning of your heating season.

ANNUAL INSPECTION and CLEANING

1. Remove the glass panel and clean the pilot burner and main burner of any soot, dust or any other build-up. Clean the Flame Sensor of any corrosion or build-up. *Figure 36* shows proper pilot burner operation and *Figure 35* shows proper main burner operation.
2. Inspect the Crushed Glass Burner Media for soot build-up. If excessive soot is present, have a qualified service person inspect the unit for proper combustion. Carefully clean the Crushed Glass Burner Media with a brush.
3. Check that the vent pipe and termination cap are free from obstructions such as nests, leaves or debris. Ensure that the venting is tight and sealed.
4. Confirm that the frame, glass and gasket are free from damage including scratches, cracks and misalignment. Check the latches for proper alignment and engagement. If it is necessary to replace the glass assembly, use only the H50-SA-GP-01 Glass Panel Assembly from European Home.
5. Ensure that the Fireplace is ready for operation, light the Fireplace and check both the pilot burner and main burner for proper flame size and operation.

MAINTENANCE

PERIODIC CLEANING

NOTE: Both sides of the Halcyon glass panel must be cleaned after the first fire. As part of the 'burn-off' process, a white film may form on the inside of the glass during the first few fires. Do not allow the film to accumulate as it can become very difficult to remove. Allow the *glass to cool* then clean both sides of the glass panel.

1. The glass may be cleaned as necessary with a fireplace glass cleaner. We recommend Stove Bright® Gas Appliance Glass Cleaner by Forrest Paint Co. Follow the instructions for use and *do not clean the glass when it is hot!* If the glass becomes coated with deposits which cannot be removed it must be replaced. When replacing the glass panel assembly use *only* European Home part number H50-SA-GP-01; substitute parts are not permitted.
2. Exterior metal trim may be cleaned with mild soap and water. Do not use abrasive cleaners on the glass or any other part of the Fireplace.
3. Interior media components may be cleaned with a clean, soft-bristled brush. *Do not use any cleaning products, including water, on the media.*
4. When necessary the panels can be removed and cleaned as follows:
 - a. The stone-like panels should be brushed with a clean, soft-bristled brush. *Do not use any cleaning products, including water, on these panels.*
 - b. The black enamel panels should be cleaned with a mild, *non-abrasive*, household cleaner. We recommend Windex® by SC Johnson & Son, Inc.
 - c. The stainless steel panels should be cleaned with a stainless steel cleaner. We recommend Stove Bright® Brass and Metal Polish by Forrest Paint Co.
5. For best results, install the panels while wearing the gloves provided with your Halcyon Gas Fireplace. Do not allow any liquids to spill inside the Fireplace.

REPLACEMENT PARTS

If replacement parts are required, only parts made specifically for your Halcyon Gas Fireplace can be used. Failure to use only parts specifically approved with this appliance may result in property damage or personal injury. *Table 10* lists parts approved for use in the Halcyon Gas Fireplace.

Part Number	Description
H50-SA-GP-01	Glass Panel Assembly
H50-GS-GV-01	Gas Valve
H50-GS-CM-01	Control Module
H50-ES-LA-01	Lamp Assembly
H50-ES-HB-01	Halogen Bulb
H50-SA-LPCK-01	LP Conversion Kit
H50-SA-BA-01	Burner Assembly

Table 10 - Replacement Parts List

TROUBLESHOOTING



WARNING

Label all wires prior to disconnection when servicing controls. Wiring errors can cause improper and dangerous operation.

Any repair and troubleshooting of the Halcyon Gas Fireplace must be done by a qualified technician only.

Since the LED on the control module cannot be seen after the Fireplace has been installed, the following assumes that the Halcyon Burner Assembly has been safely connected to a test bench and that all appropriate safety precautions are being observed.

For proper operation, the control module must be electrically connected to the gas valve and all the ignition wiring connectors plugged in.

The LED light on the control module provides a self-diagnosis indication. If the red LED is off continuously, the fault is likely to be internal to the module. To make sure, interrupt the line or 24 volt power for 10 seconds, check program key installation and then restore. If the internal fault is indicated again, and flame sensor is not shorted to ground, replace the control module. A flashing light indicates the problem is most likely in the external components or wiring (see *Table 11*, below). Proceed as follows:

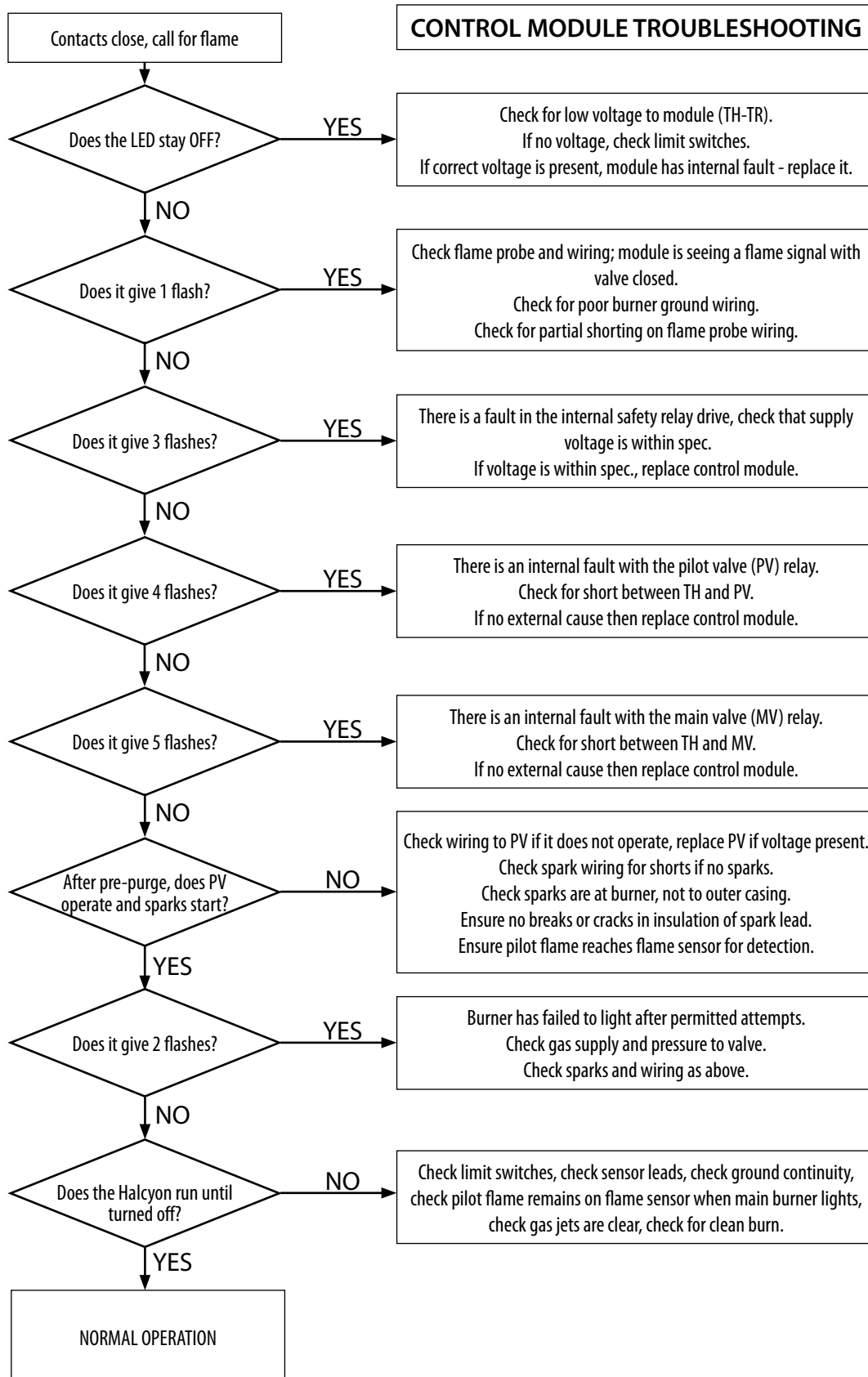
Visual checks

1. After the purge delay (if applicable) the pilot valve opens and the ignition spark starts
2. The pilot burner flame will light
3. The ignition spark stops and the main valve opens
4. The main burner flame will ignite

LED	Condition
Solid ON	Normal - Control Module ON
One Flash	False Flame Signal
Two Flashes	No Flame Detected
Three Flashes	Safety Drive Fault
Four Flashes	PV Drive Fault
Five Flashes	MV Drive Fault
OFF	No Power - Internal Fault

Table 11 - Condition Codes

TROUBLESHOOTING



INSTALLATION RECORD

The installer must record the following information about the installation. It is needed for warranty purposes and for any technical assistance which may be required.

Installation Date:	_____ / _____ / _____		
Model:	_____	Serial Number:	_____
Installer Name:	_____		
Installer Phone:	_____		
Sold By:	_____		
Fuel:	Natural Gas	Propane	
Inlet Pressure at Installation:	_____		
Manifold Pressure at Installation :	_____		
Total Vertical Vent Rise:	_____		
Total Horizontal Vent Run:	_____		
Total Number of 90° Elbows:	_____		
Total Number of 45° Elbows:	_____		

NOTES

Appendix A - LP Gas Conversion

These instructions are for use with the European Home H50-SA-LPCK-01 kit only.



WARNING

This conversion kit shall be installed by a qualified service agency in accordance with the manufacturer's instructions and all applicable codes and requirements of the authority having jurisdiction. If the information in these instructions is not followed exactly, a fire, explosion or production of carbon monoxide may result causing property damage, personal injury or loss of life. The qualified service agency is responsible for the proper installation of this kit. The installation is not proper and complete until the operation of the converted appliance is checked as specified in the manufacturer's instructions supplied with the kit.



CAUTION

The gas supply shall be shut off prior to disconnecting the electrical power, before proceeding with the conversion.

Note

When within the Commonwealth of Massachusetts this conversion must be made by a licensed plumber or gasfitter.

Contents

The H50-SA-LPCK-01 LP Gas Conversion Kit contains the following:

- Two LP Burner Orifices (#56 DMS)
- One Burner Base Gasket (H50-FG-BG-03)
- One LP Conversion Label
- One Instruction Sheet

Tools Required

Installation of the H50-SA-LPCK-01 LP Gas Conversion Kit requires the following tools:

- an assortment of open end wrenches ($\frac{3}{8}$ " through 1")
- a No. 2 Phillips screwdriver
- two adjustable wrenches
- $\frac{3}{8}$ " socket wrench

Appendix A - LP Gas Conversion

LP Gas Conversion Steps

1. Refer to the INSTALLATION section beginning on page 18 and, if they're in place, remove the Glass Panel Assembly, the interior panels, the gas supply and burner media.
2. Remove the 21 screws which fasten the burner assembly to the cabinet. Gently lift the burner assembly up about an inch and move it to the right enough to provide an opening through which you can reach the wiring tunnel. See *Figure A1*. Take care to avoid damaging the gasket beneath the burner assembly.
3. Separate the four-conductor plastic connector (the largest of the three connectors) by depressing the latch that holds them together. See *Figure A2*.
4. Carefully remove the burner assembly from the cabinet and place it on a clean, sturdy work surface.



Figure A1 - Halcyon Burner Moved To Right Revealing Connections

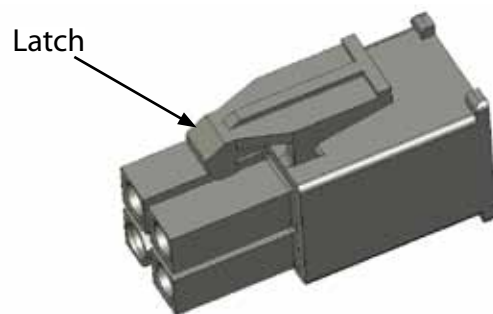
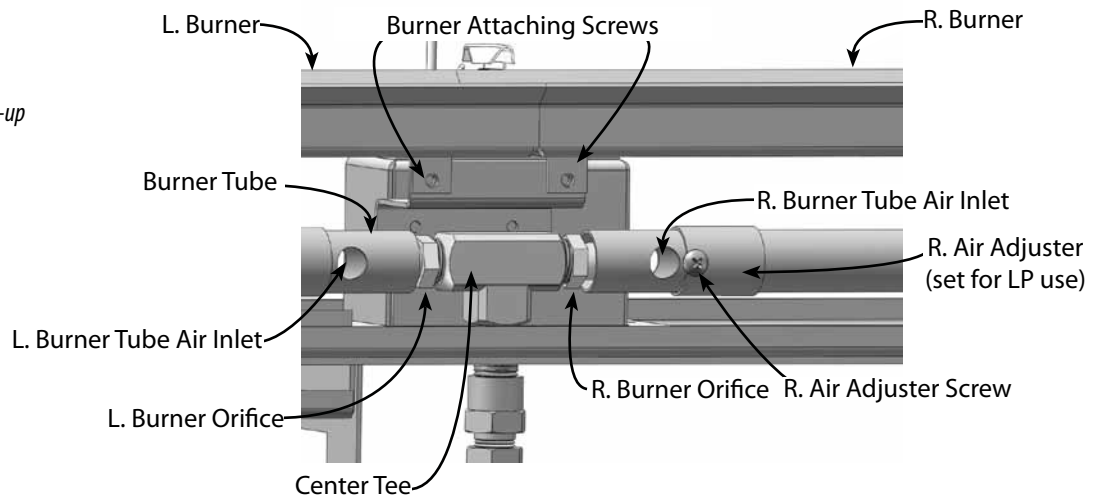


Figure A2 - Male Connector Showing Latch

Appendix A - LP Gas Conversion

Figure A3 - Burner Close-up



5. Remove the left and right burner from the burner assembly by removing the two attaching screws at the center of the burner assembly and lifting the burners off their supports. See *Figure A3*.
6. Remove the screw holding each air adjuster to the burner tube, slide each air adjuster off the burner tube, reverse the air adjusters, slide them back on the burner tube and replace the holding screw on each air adjuster. The air inlet on each burner tube must not be covered.
7. Remove the left and right natural gas Burner Orifices by unscrewing them from the Center Tee. See *Figure A3*.
8. Screw the left and right LP Burner Orifices into the tee and tighten securely.
9. Re-install the left and right Burners and secure them with the Attaching Screws.
10. Loosen the Pilot Burner Nut and push in the Orifice Slide to engage the LP Orifice. The red dot and "LP" marking on the Slide will now be exposed and the "NA" marking will be hidden. Tighten the Pilot Burner Nut securely. See *Figure A4*.

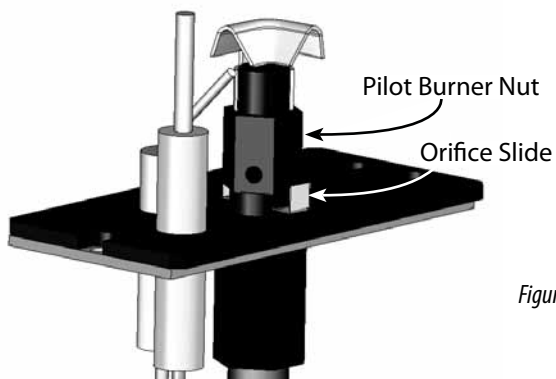


Figure A4 - Pilot Burner Details

Appendix A - LP Gas Conversion

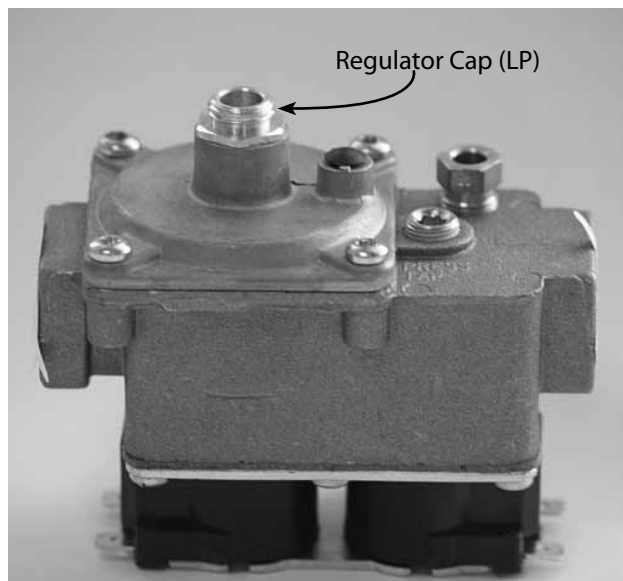


Figure A5 - Gas Valve (LP)



Figure A6 - Close-up of Regulator Cap Set to LP

11. Unscrew the Regulator Cap, turn it over and screw it back in with the recessed end marked "LP" exposed. See *Figures A5 and A6*. *Figure A7* shows the Regulator Cap before it has been reversed to LP.
12. Write the conversion date and the name and address of the company or person doing the conversion on the LP Conversion Label. Peel the backing off the label and affix it to the bottom plate of the Burner Assembly, next to the gas valve as shown in *Figure B8*.
13. Re-install the Burner Assembly.
14. Test the entire gas train for leaks using a 'sniffer' or non-corrosive leak detection fluid.
15. Replace the Glass Panel Assembly.
16. If the Fireplace installation is complete then test for proper pressures, flame pattern and operation otherwise return to the appropriate section of the Installation, Operation and Owner's Manual and complete the installation.

Retain the removed parts if the Halcyon Gas Fireplace is to be re-converted for use with natural gas.



Figure A7 - Close-up of Regulator Cap Set to "NAT"

Appendix A - LP Gas Conversion

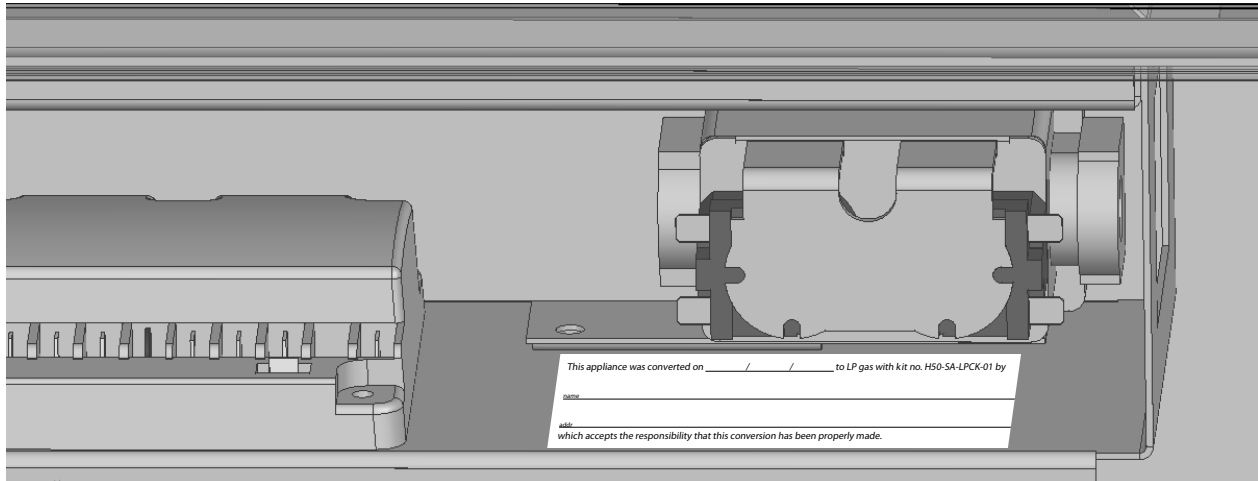


Figure A8 - LP Conversion Label Affixed to Burner Assembly

After conversion to use with LP gas, the Halcyon Gas Fireplace has the following specifications:

	<i>Propane (LP)</i>
Input:	32,000 BTU/hr. (9.37 kWh)
Manifold Pressure:	9.2" w.c. (2.29 kPa)
Maximum Supply Pressure:	13" w.c. (3.23 kPa)
Minimum Supply Pressure:	11" w.c. (2.73 kPa)
Orifice Size:	#56 DMS

OMNI-Test Laboratories, Inc. has certified that the Halcyon Gas Fireplace meets the *ANSI Z21.88-2007 • CSA 2.33-2007 Vented Gas Fireplace Heaters* and *CAN/CGA-2.17-M91, Gas-Fired Appliances for Use At High Altitudes* standards.

The Halcyon Gas Fireplace is approved for installation at elevations up to 2000 feet in the U.S. and 1370 meters (4500 feet) in Canada without change. If your installation is at an elevation greater than these, consult with the local authority having jurisdiction for gas product installations to determine their specific requirements for high altitude installations.

When properly installed and operating the flames in the Halcyon Gas Fireplace look like those in *Figure A9*.

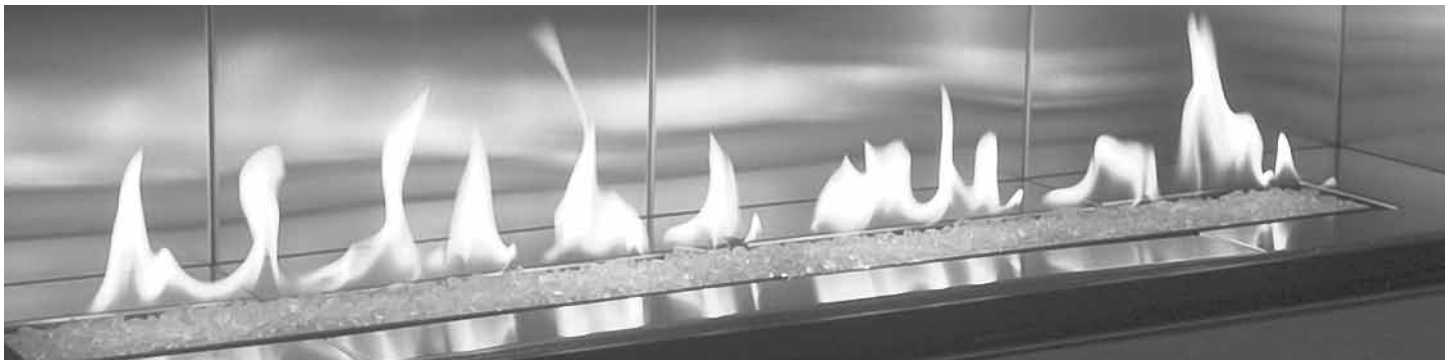


Figure A9- Halcyon Flames

EUROPEAN HOME

a division of Europa Ja, Inc.

376 Washington Street
Suite 203
Malden, MA 02148-1300
tel: 781.324.8383
fax: 781.324.8384
info@europeanhome.com