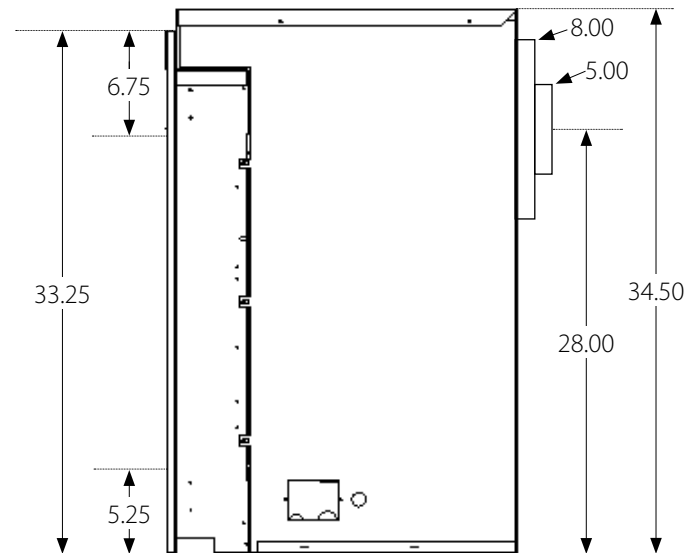
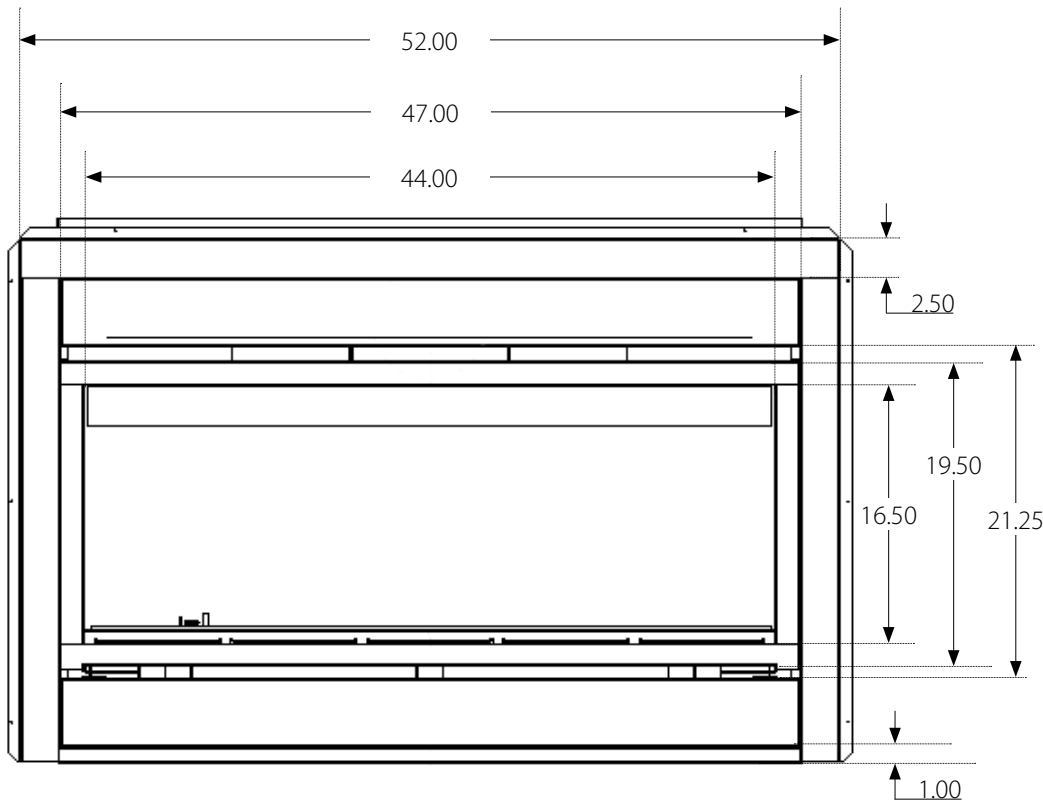
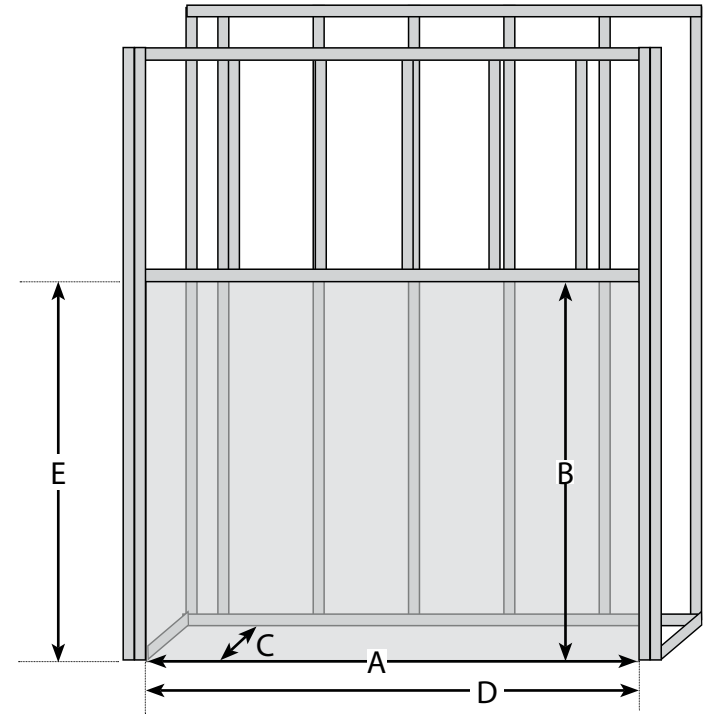
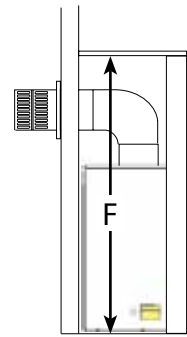
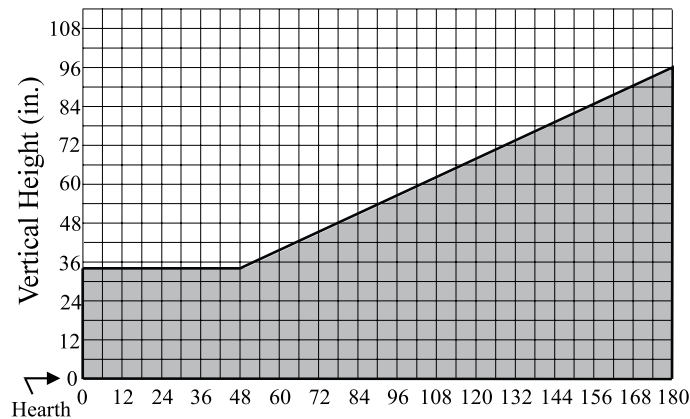


all dimensions in inches, not to scale



- May be vented through the top (default) or rear of the cabinet.
- The minimum vent run is a top-vented 40" rise to a wall termination.
- Vent rise and run must intersect in a white graph square, below.  
(Top vent graph shown, see Installation Manual for rear vent and multi-elbow options.)
- A power venting option is available for "off-the-chart" applications.

Graph for Top Venting ONLY



A	Rough Opening Width	52"
B	Rough Opening Height	39½"
C	Rough Opening Depth	25" or 25½"*
D	Non-combustible Zone Width	52"
E	Non-combustible Zone Height	39½"
F	Minimum Height to Chase Ceiling	58"

all dimensions in inches, -0.0

\*When facing with the Overlay Method the depth is increased by ½". See Planning Guide for more information.